

QMA Female Bulkhead Mount Connector Solder Attachment for FM-SR141ALTN, FM-SR141TB, FM-SR141TBJ, FM-SR141CUTN, RG402, .268 inch D Hole

QMA female bulkhead connector with solder/solder attachment for FM-SR141ALTN, FM-SR141TB, FM-SR141TBJ, FM-SR141CUTN and RG402 (.268 inch D hole), part number FMCN1891, from Fairview Microwave is in-stock and ships same day. This QMA female connector operates up to a maximum frequency of 18 GHz. The QMA female connector also has low passive intermodulation (PIM) of -120 dBc. Fairview's FMCN1891 bulkhead QMA connector enables designers to make external connections on product enclosures, and can be used in a variety of other rack mount and panel mount applications.

Fairview's QMA female bulkhead connector FMCN1891 datasheet specifications and outline drawing are shown in this PDF below. Our extensive offering of RF, microwave and millimeter wave connectors allows designers to configure and customize their signal connections however they like. From providing an I/O for a board design to creating a custom cable assembly configuration, Fairview Microwave has a connector solution to meet your needs. Fairview Microwave also has the expertise to build your custom cable assemblies for you and ship them same-day.

Electrical Specifications

Description	Min	Typ	Max	Units
Frequency Range	DC		18	GHz
Passive Intermodulation using 2x20W tones			-120	dBc
Operating Voltage (AC)			335	Vrms
Test Voltage (AC)			1,000	Vrms
Inner Cond. DC Resistance			3	mOhms
Outer Cond. DC Resistance			2.5	mOhms
Insulation Resistance	5,000			MOhms

Performance by Frequency

Description	F1	F2	F3	F4	F5	Units
Freq. Range	DC to 3	3 to 6				GHz
VSWR, Max	1.06:1	1.12:1				

Electrical Specification Notes:

RF leakage: 95 dB (up to 2 GHz), 80 dB (up to 4 GHz), 70 dB (up to 6 GHz) min.

Insertion loss = $0.05 \times \sqrt{f(\text{GHz})}$ dB max.

Mechanical Specifications

Size	
Length	0.79 in [20.07 mm]
Width/Dia.	0.43 in [10.92 mm]
Height	0.5 in [12.7 mm]
Weight	0.012 lbs [5.44 g]
Mating Cycles	100 Cycles



Configuration:

- QMA Female Connector
- 50 Ohms
- Straight Body Geometry
- FM-SR141ALTN, FM-SR141TB, FM-SR141TBJ, FM-SR141CUTN, RG402 Interface Type
- Solder/Solder Attachment
- Bulkhead

Features:

- Operating Frequency of 18 GHz Max.
- PIM levels better than -120 dBc
- Gold Plated Beryllium Copper Contact

Applications:

- General Purpose Test
- Rack and Panel Mount Applications
- Custom Cable Assemblies

Fairview Microwave
301 Leora Ln., Suite 100
Lewisville, TX 75056
Tel: 1-800-715-4396 / (972) 649-6678
Fax: (972) 649-6689
www.fairviewmicrowave.com
sales@fairviewmicrowave.com

Material Specifications

Description	Material	Plating
Contact	Beryllium Copper	Gold
Insulation	PTFE	
Outer Conductor	Brass	Gold
Body	Brass	Gold

Environmental Specifications

Temperature

Operating Range
Storage Range

-40 to +85 deg C
-40 to +85 deg C

Humidity

IEC 60169-1 16.3 (96 hours)

Vibration

IEC 60068-2-64 random

Thermal Shock

IEC 60169-1 16.4 (-40/+85°C)

Salt Spray

IEC 60109-1 16.7 (48 hrs)

Compliance Certifications (see [product page](#) for current document)

Plotted and Other Data

Notes:

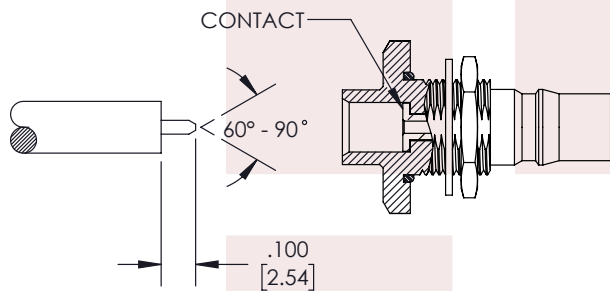
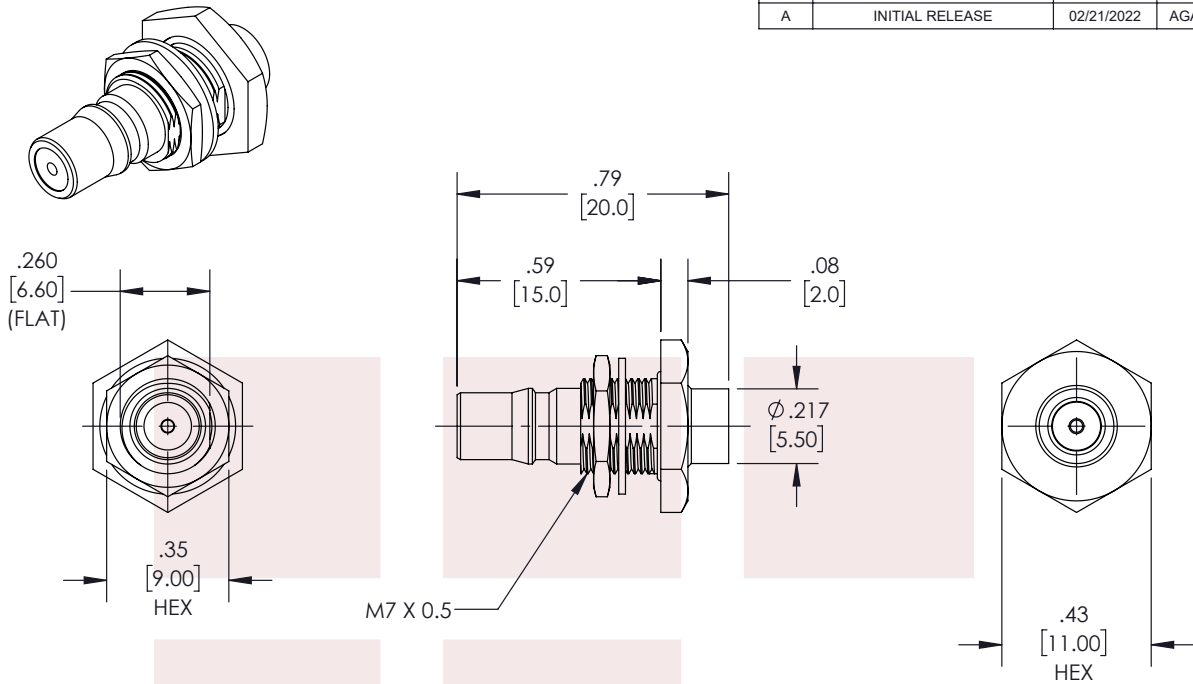
QMA Female Bulkhead Mount Connector Solder Attachment for FM-SR141ALTN, FM-SR141TB, FM-SR141TBJ, FM-SR141CUTN, RG402, .268 inch D Hole from Fairview Microwave is in-stock and available to ship same-day. All of our RF/microwave products are available off-the-shelf from our ISO 9001:2008 certified facilities in Lewisville, Texas. Fairview Microwave is RF on-demand.

For additional information on this product, please click the following link: [QMA Female Bulkhead Mount Connector Solder Attachment for FM-SR141ALTN, FM-SR141TB, FM-SR141TBJ, FM-SR141CUTN, RG402, .268 inch D Hole FMCN1891](#)

URL: <https://www.fairviewmicrowave.com/qma-female-fm-sr141altn-fm-sr141tb-fm-sr141tbj-fm-sr141cutn-rg402-connector-fmcn1891-p.aspx>

The information contained in this document is accurate to the best of our knowledge and representative of the part described herein. It may be necessary to make modifications to the part and/or the documentation of the part, in order to implement improvements. Fairview Microwave reserves the right to make such changes as required. Unless otherwise stated, all specifications are nominal. Fairview Microwave does not make any representation or warranty regarding the suitability of the part described herein for any particular purpose, and Fairview Microwave does not assume any liability arising out of the use of any part or documentation.

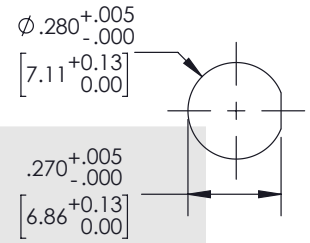
REVISIONS			
REV.	DESCRIPTION	DATE	APPROVED
A	INITIAL RELEASE	02/21/2022	AGANWANI



STRIPPING DIMENSIONS

ASSEMBLY PROCEDURE

1. STRIP CABLE AS SHOWN. DO NOT NICK CENTER CONDUCTOR.
2. CHAMFER CENTER CONDUCTOR AS SHOWN.
3. INSERT CABLE INTO CONNECTOR BODY, MATING THE CENTER CONDUCTOR WITH THE CONTACT.
4. SOLDER CABLE TO CONNECTOR BODY.



MOUNTING HOLE

THESE COMMODITIES, TECHNOLOGY OR SOFTWARE WERE EXPORTED FROM THE UNITED STATES IN ACCORDANCE WITH THE EXPORT ADMINISTRATION REGULATIONS. DIVERSION CONTRARY TO U.S. LAW PROHIBITED.

TITLE

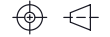
QMA Female Bulkhead Mount Connector Solder Attachment for FM-SR141ALTN, FM-SR141TB, FM-SR141TBJ, FM-SR141CUTN, RG402, .268 inch D Hole

UNLESS OTHERWISE SPECIFIED LEADING DIMENSIONS ARE INCHES
DIMENSIONS IN [] ARE MILLIMETERS

TOLERANCES: CABLE LENGTH (L) TOLERANCES:

.X = ±.2 [5.08]	FRACTIONS	L ≤ 12 [305] = +1 [25] / -0
.XX = ±.02 [.51]	± 1/32	12 [305] < L ≤ 60 [1524] = +2 [51] / -0
.XXX = ±.005 [.13]	ANGLES ± 1°	60 [1524] < L ≤ 120 [3048] = +4 [102] / -0
		120 [3048] < L ≤ 300 [7620] = +6 [152] / -0
		300 [7620] < L = +5%L / -0

THIRD-ANGLE PROJECTION



THE INFORMATION AND DESIGN IN THIS DOCUMENT IS THE PROPERTY OF FAIRVIEW MICROWAVE CORPORATION. ALL RIGHTS RESERVED.

SHEET 1 OF 1

ALL DIMENSIONS SHOWN ARE FOR REFERENCE ONLY.

SCALE N/A

SIZE A	CAGE CODE 3FKR5	DRAWN BY AKRESOWSK	ITEM NO. FMCN1891	REV A
-----------	--------------------	-----------------------	----------------------	----------

T-Rev.D