

SSMA Female Bulkhead Connector Solder Attachment for FM-SR086ALTN, FM-SR086TB, RG405, .177 inch D Hole

SSMA female bulkhead connector with solder/solder attachment for FM-SR086ALTN, FM-SR086TB and RG405 (.177 inch D hole), part number FMCN1860, from Fairview Microwave is in-stock and ships same day. Fairview's FMCN1860 bulkhead SSMA connector enables designers to make external connections on product enclosures, and can be used in a variety of other rack mount and panel mount applications.

Fairview's SSMA female bulkhead connector FMCN1860 datasheet specifications and outline drawing are shown in this PDF below. Our extensive offering of RF, microwave and millimeter wave connectors allows designers to configure and customize their signal connections however they like. From providing an I/O for a board design to creating a custom cable assembly configuration, Fairview Microwave has a connector solution to meet your needs. Fairview Microwave also has the expertise to build your custom cable assemblies for you and ship them same-day.

Mechanical Specifications

Size	
Length	0.69 in [17.53 mm]
Width/Dia.	0.375 in [9.53 mm]
Height	0.156 in [3.96 mm]
Weight	0.008 lbs [3.63 g]

Material Specifications

Description	Material	Plating
Contact		Gold MIL-G-45204
Insulation	Teflon	
Body	Brass	Gold MIL-G-45204

Environmental Specifications

Temperature

Operating Range -65 to +165 deg C

Compliance Certifications (see [product page](#) for current document)

Plotted and Other Data

Notes:



Configuration:

- SSMA Female Connector
- MIL-C-39012
- 50 Ohms
- Straight Body Geometry
- FM-SR086ALTN, FM-SR086TB, RG405 Interface Type
- Solder/Solder Attachment
- Bulkhead

Features:

- Gold Plated Contact
- Contact plating according to MIL-G-45204

Applications:

- General Purpose Test
- Rack and Panel Mount Applications
- Custom Cable Assemblies

Fairview Microwave
301 Leora Ln., Suite 100
Lewisville, TX 75056
Tel: 1-800-715-4396 / (972) 649-6678
Fax: (972) 649-6689
www.fairviewmicrowave.com
sales@fairviewmicrowave.com

SSMA Female Bulkhead Connector Solder Attachment for FM-SR086ALTN, FM-SR086TB, RG405, .177 inch D Hole from Fairview Microwave is in-stock and available to ship same-day. All of our RF/microwave products are available off-the-shelf from our ISO 9001:2008 certified facilities in Lewisville, Texas. Fairview Microwave is RF on-demand.

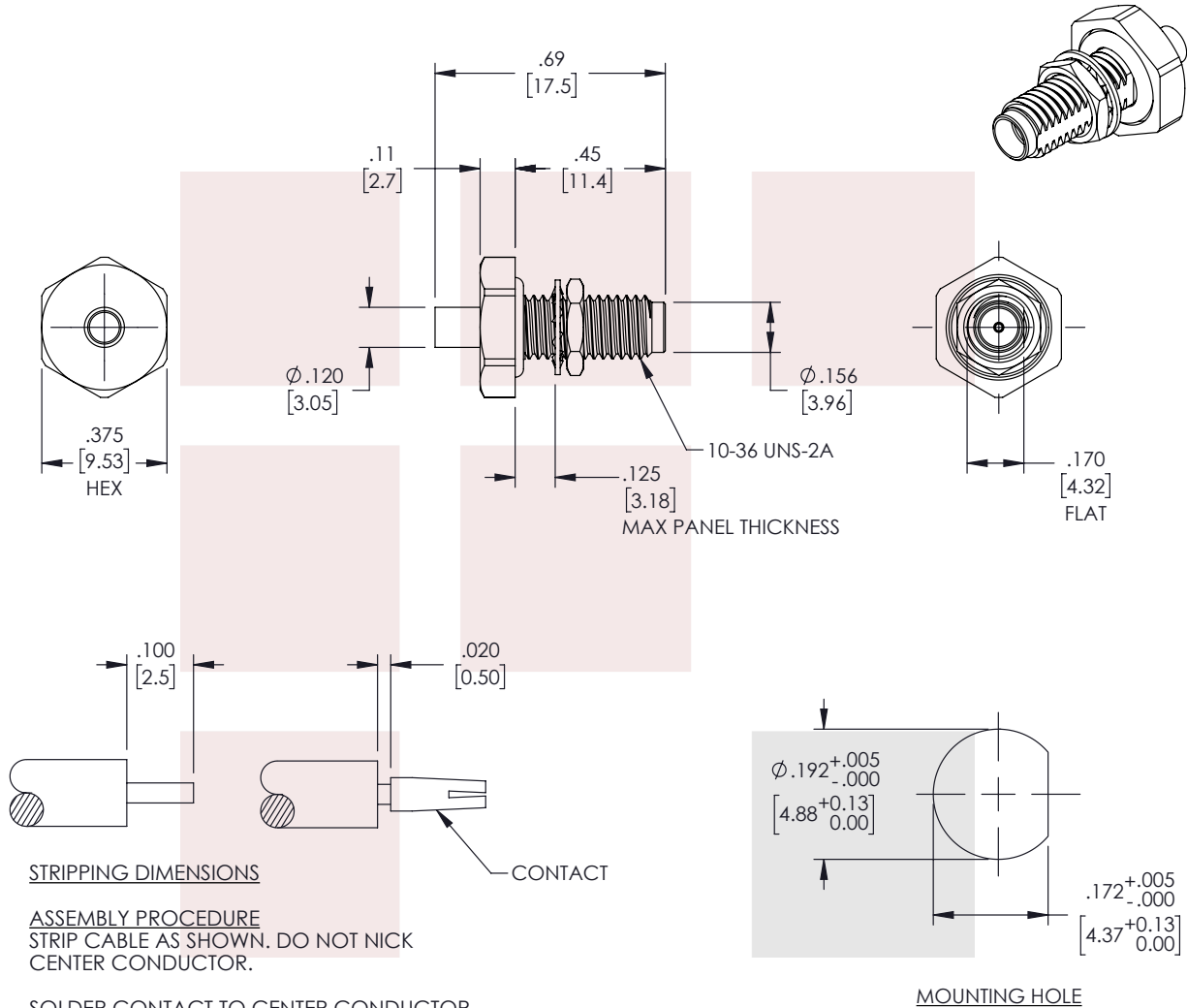
For additional information on this product, please click the following link: [SSMA Female Bulkhead Connector Solder Attachment for FM-SR086ALTN, FM-SR086TB, RG405, .177 inch D Hole FMCN1860](#)

URL: <https://www.fairviewmicrowave.com/ssma-female-fm-sr086altn-fm-sr086tb-rg405-connector-fmcn1860-p.aspx>

The information contained in this document is accurate to the best of our knowledge and representative of the part described herein. It may be necessary to make modifications to the part and/or the documentation of the part, in order to implement improvements. Fairview Microwave reserves the right to make such changes as required. Unless otherwise stated, all specifications are nominal. Fairview Microwave does not make any representation or warranty regarding the suitability of the part described herein for any particular purpose, and Fairview Microwave does not assume any liability arising out of the use of any part or documentation.



REVISIONS			
REV.	DESCRIPTION	DATE	APPROVED
A	INITIAL RELEASE	02/21/2022	A.GANWANI



- STRIPPING DIMENSIONS**
1. ASSEMBLY PROCEDURE
STRIP CABLE AS SHOWN. DO NOT NICK CENTER CONDUCTOR.
 2. SOLDER CONTACT TO CENTER CONDUCTOR.
 3. INSERT CABLE INTO BODY UNTIL OUTER CONDUCTOR BOTTOMS OUT. SOLDER OUTER CONDUCTOR TO BODY.

THESE COMMODITIES, TECHNOLOGY OR SOFTWARE WERE EXPORTED FROM THE UNITED STATES IN ACCORDANCE WITH THE EXPORT ADMINISTRATION REGULATIONS. DIVERSION CONTRARY TO U.S. LAW PROHIBITED.

<p>Fairview Microwave an INFINITE brand</p>	UNLESS OTHERWISE SPECIFIED LEADING DIMENSIONS ARE INCHES DIMENSIONS IN [] ARE MILLIMETERS		THIRD-ANGLE PROJECTION 	
	TOLERANCES:		CABLE LENGTH (L) TOLERANCES:	
TITLE SSMA Female Bulkhead Connector Solder Attachment for FM-SR086ALTN, FM-SR086TB, RG405, .177 inch D Hole	.X = ± 2 [5.08]	FRACTIONS ± 1/32	L ≤ 12 [305] = +1 [25] / -0	THE INFORMATION AND DESIGN IN THIS DOCUMENT IS THE PROPERTY OF FAIRVIEW MICROWAVE CORPORATION. ALL RIGHTS RESERVED. SHEET 1 OF 1
	.XX = ± .02 [.51]	ANGLES ± 1°	12 [305] < L ≤ 60 [1524] = +2 [51] / -0 60 [1524] < L ≤ 120 [3048] = +4 [102] / -0 120 [3048] < L ≤ 300 [7620] = +6 [152] / -0 300 [7620] < L = +5% / -0	
ALL DIMENSIONS SHOWN ARE FOR REFERENCE ONLY.				REV A
SIZE A	CAGE CODE 3FKR5	DRAWN BY A.KRESOWSKI	ITEM NO. FMCN1860	REV A

T-Rev.D