

1.85mm Female Bulkhead Mount Connector Clamp/ Solder Attachment for FM-SR086ALTN, FM-SR086TB, FM-SR086TBJ, FM-SR086CUTN, RG405, .252 inch

1.85mm female bulkhead connector with clamp/solder attachment for FM-SR086ALTN, FM-SR086TB, FM-SR086TBJ, FM-SR086CUTN, RG405 and .252 inch (.252 inch D hole), part number FMCN1825, from Fairview Microwave is in-stock and ships same day. This 1.85mm female connector operates up to a maximum frequency of 60 GHz and offers good VSWR of 1.35:1. Fairview's FMCN1825 bulkhead 1.85mm connector enables designers to make external connections on product enclosures, and can be used in a variety of other rack mount and panel mount applications.

Fairview's 1.85mm female bulkhead connector FMCN1825 datasheet specifications and outline drawing are shown in this PDF below. Our extensive offering of RF, microwave and millimeter wave connectors allows designers to configure and customize their signal connections however they like. From providing an I/O for a board design to creating a custom cable assembly configuration, Fairview Microwave has a connector solution to meet your needs. Fairview Microwave also has the expertise to build your custom cable assemblies for you and ship them same-day.



Configuration:

- 1.85mm Female Connector
- IEEE-STD-P287
- 50 Ohms
- Straight Body Geometry
- FM-SR086ALTN, FM-SR086TB, FM-SR086TBJ, FM-SR086CUTN, RG405, .252 inch Interface Type
- Clamp/Solder Attachment
- Bulkhead

Electrical Specifications

Description	Min	Typ	Max	Units
Frequency Range	DC		60	GHz
VSWR			1.35:1	

Mechanical Specifications

Size	
Length	0.97 in [24.64 mm]
Width/Dia.	0.282 in [7.16 mm]
Height	0.31 in [7.87 mm]
Weight	0.018 lbs [8.16 g]

Material Specifications

Description	Material	Plating
Contact	Beryllium Copper	Gold over Nickel 50 μin minimum
Insulation	PEI	
Body	Passivated Stainless Steel	SAE-AMS-2700

Compliance Certifications (see [product page](#) for current document)

Plotted and Other Data

Notes:

Features:

- Operating Frequency of 60 GHz Max.
- Good VSWR of 1.35:1
- Gold over Nickel Plated Beryllium Copper Contact
- 50 μin minimum contact plating

Applications:

- General Purpose Test
- Rack and Panel Mount Applications
- Custom Cable Assemblies

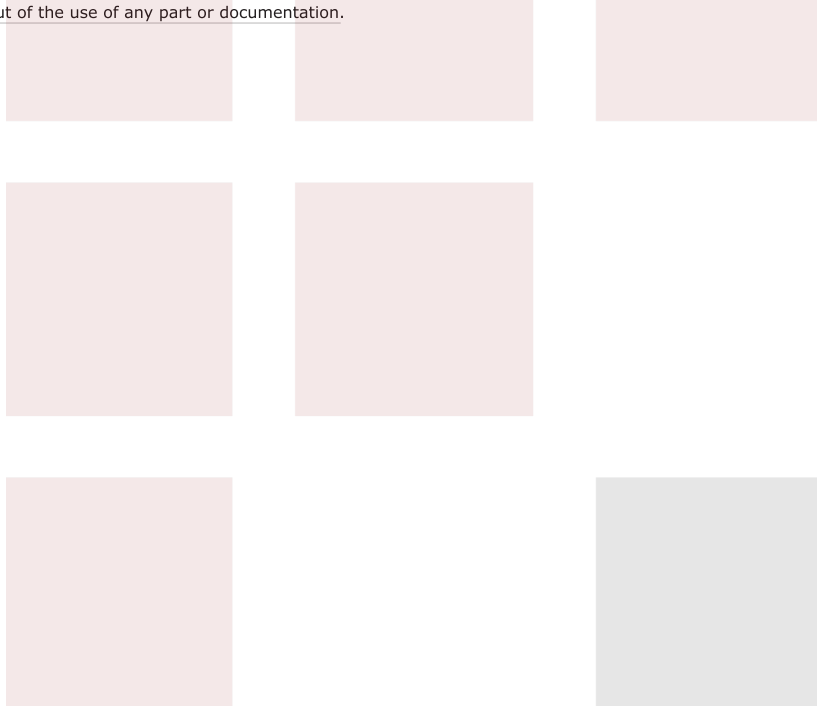
Fairview Microwave
301 Leora Ln., Suite 100
Lewisville, TX 75056
Tel: 1-800-715-4396 / (972) 649-6678
Fax: (972) 649-6689
www.fairviewmicrowave.com
sales@fairviewmicrowave.com

1.85mm Female Bulkhead Mount Connector Clamp/Solder Attachment for FM-SR086ALTN, FM-SR086TB, FM-SR086TBJ, FM-SR086CUTN, RG405, .252 inch from Fairview Microwave is in-stock and available to ship same-day. All of our RF/microwave products are available off-the-shelf from our ISO 9001:2008 certified facilities in Lewisville, Texas. Fairview Microwave is RF on-demand.

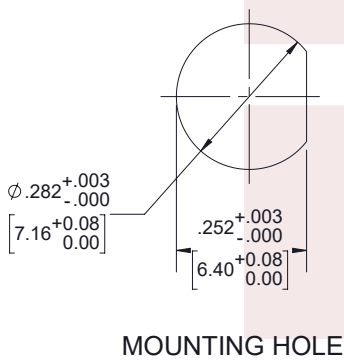
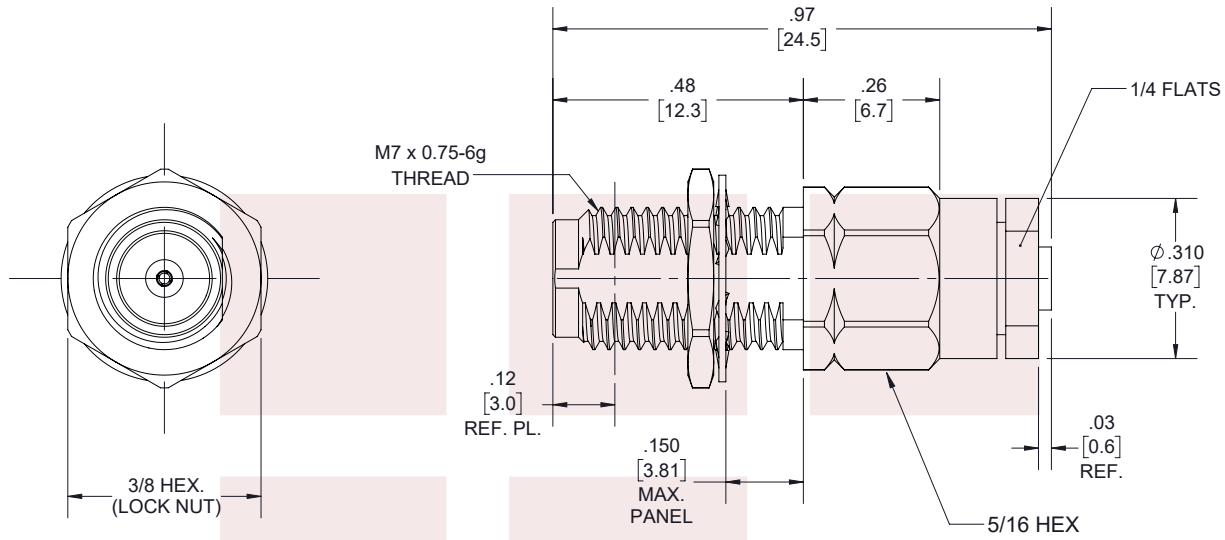
For additional information on this product, please click the following link: [1.85mm Female Bulkhead Mount Connector Clamp/Solder Attachment for FM-SR086ALTN, FM-SR086TB, FM-SR086TBJ, FM-SR086CUTN, RG405, .252 inch FMCN1825](#)

URL: <https://www.fairviewmicrowave.com/1.85mm-female-fm-sr086altn-fm-sr086tb-fm-sr086tbj-fm-sr086cutn-rg405-.252-connector-fmcn1825-p.aspx>

The information contained in this document is accurate to the best of our knowledge and representative of the part described herein. It may be necessary to make modifications to the part and/or the documentation of the part, in order to implement improvements. Fairview Microwave reserves the right to make such changes as required. Unless otherwise stated, all specifications are nominal. Fairview Microwave does not make any representation or warranty regarding the suitability of the part described herein for any particular purpose, and Fairview Microwave does not assume any liability arising out of the use of any part or documentation.



REVISIONS			
REV.	DESCRIPTION	DATE	APPROVED
A	INITIAL RELEASE	02/11/2022	A.GANWANI



THESE COMMODITIES, TECHNOLOGY OR SOFTWARE WERE EXPORTED FROM THE UNITED STATES IN ACCORDANCE WITH THE EXPORT ADMINISTRATION REGULATIONS. DIVERSION CONTRARY TO U.S. LAW PROHIBITED.

TITLE

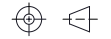
1.85mm Female Bulkhead Mount Connector Clamp/
Solder Attachment for FM-SR086ALTN, FM-SR086TB,
FM-SR086TBJ, FM-SR086CUTN, RG405, .252 inch

UNLESS OTHERWISE SPECIFIED LEADING DIMENSIONS ARE INCHES
DIMENSIONS IN [] ARE MILLIMETERS

TOLERANCES: CABLE LENGTH (L) TOLERANCES:

.X = ±.2 [5.08]	FRACTIONS ± 1/32	L ≤ 12 [305] = +1 [25] / -0
.XX = ±.02 [.51]	ANGLES ± 1°	12 [305] < L ≤ 60 [1524] = +2 [51] / -0
.XXX = ±.005 [.13]		60 [1524] < L ≤ 120 [3048] = +4 [102] / -0
		120 [3048] < L ≤ 300 [7620] = +6 [152] / -0
		300 [7620] < L = +5% / -0

THIRD-ANGLE PROJECTION



THE INFORMATION AND DESIGN IN THIS DOCUMENT IS THE PROPERTY OF FAIRVIEW MICROWAVE CORPORATION. ALL RIGHTS RESERVED.

SHEET 1 OF 2

ALL DIMENSIONS SHOWN ARE FOR REFERENCE ONLY.

SCALE N/A

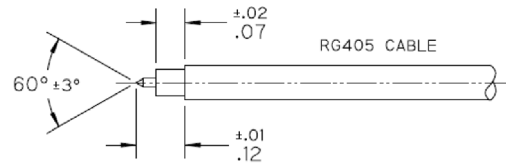
SIZE A	CAGE CODE 3FKR5	DRAWN BY K.GLEBOVA	ITEM NO. FMCN1825	REV A
-----------	--------------------	-----------------------	----------------------	----------

T-Rev.D

ASSEMBLY PROCEDURES

STEP 1

1A. TRIM CABLE JACKET TO EXPOSE DIELECTRIC & CENTER CONDUCTOR AS SHOWN.



1B. POINT CENTER CONDUCTOR AS SHOWN.

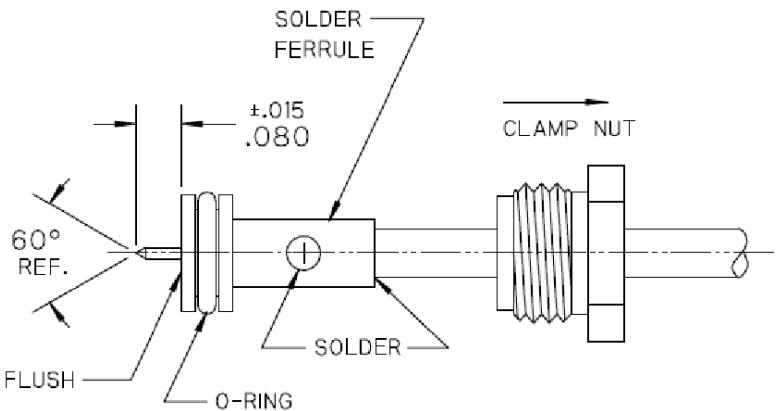
STEP 2

2A. SLIDE CLAMP NUT OVER CABLE AS SHOWN.

2B. INSERT CABLE INTO SOLDER FERRULE UNTIL SEATED AND SOLDER WHERE SHOWN.

2C. TRIM CABLE DIELECTRIC FLUSH TO FACE OF SOLDER FERRULE (DO NOT NICK CENTER CONDUCTOR).

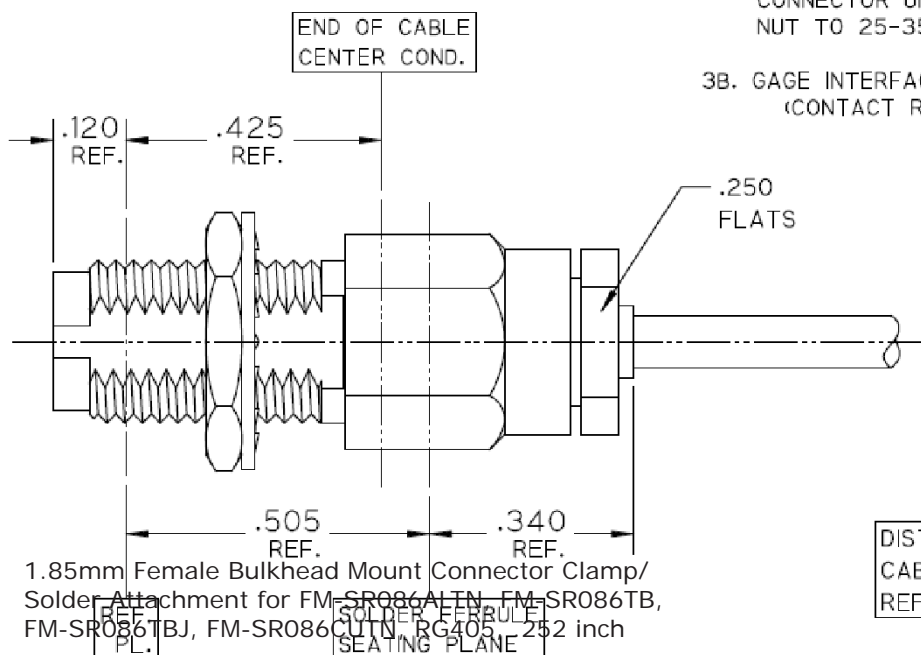
2D. INSTALL O-RING INTO GROOVE IN SOLDER FERRULE FLANGE AS SHOWN.



STEP 3

3A. INSERT CABLE/FERRULE SUB-ASSEMBLY INTO CONNECTOR UNTIL SEATED AND TIGHTEN CLAMP NUT TO 25-35 IN-LBS.

3B. GAGE INTERFACE USING APPROPRIATE GAGE. (CONTACT RANGE .000/.003 SUB-FLUSH)



1.85mm Female Bulkhead Mount Connector Clamp/
Solder Attachment for FM-SR086ALTN, FM-SR086TB,
FM-SR086TBJ, FM-SR086CUTN, RG405 - 252 inch

DISTANCE FROM END OF
CABLE CENTER COND. TO
REF. PL. IS .425 (REF.)