

7/16 DIN Female Bulkhead Connector Crimp/Solder Attachment for RG55, RG142, RG223, RG400 Cable , 1.161 inch DD Hole

7/16 DIN female bulkhead connector with crimp/solder attachment for RG55, RG142, RG223 and RG400 (1.161 inch DD hole), part number FMCN1754, from Fairview Microwave is in-stock and ships same day. Fairview's FMCN1754 bulkhead 7/16 DIN connector enables designers to make external connections on product enclosures, and can be used in a variety of other rack mount and panel mount applications.

Fairview's 7/16 DIN female bulkhead connector FMCN1754 datasheet specifications and outline drawing are shown in this PDF below. Our extensive offering of RF, microwave and millimeter wave connectors allows designers to configure and customize their signal connections however they like. From providing an I/O for a board design to creating a custom cable assembly configuration, Fairview Microwave has a connector solution to meet your needs. Fairview Microwave also has the expertise to build your custom cable assemblies for you and ship them same-day.

Mechanical Specifications

Size

Length	2.08 in [52.83 mm]
Width/Dia.	0.98 in [24.89 mm]
Height	1.4 in [35.56 mm]
Weight	0.288 lbs [130.63 g]

Material Specifications

Description	Material	Plating
Body	Brass	Nickel

Compliance Certifications (see [product page](#) for current document)

Plotted and Other Data

Notes:



Configuration:

- 7/16 DIN Female Connector
- 50 Ohms
- Straight Body Geometry
- RG55, RG142, RG223, RG400 Interface Type
- Crimp/Solder Attachment
- Bulkhead

Applications:

- General Purpose Test
- Rack and Panel Mount Applications
- Custom Cable Assemblies

Fairview Microwave
 301 Leora Ln., Suite 100
 Lewisville, TX 75056
 Tel: 1-800-715-4396 / (972) 649-6678
 Fax: (972) 649-6689
www.fairviewmicrowave.com
sales@fairviewmicrowave.com

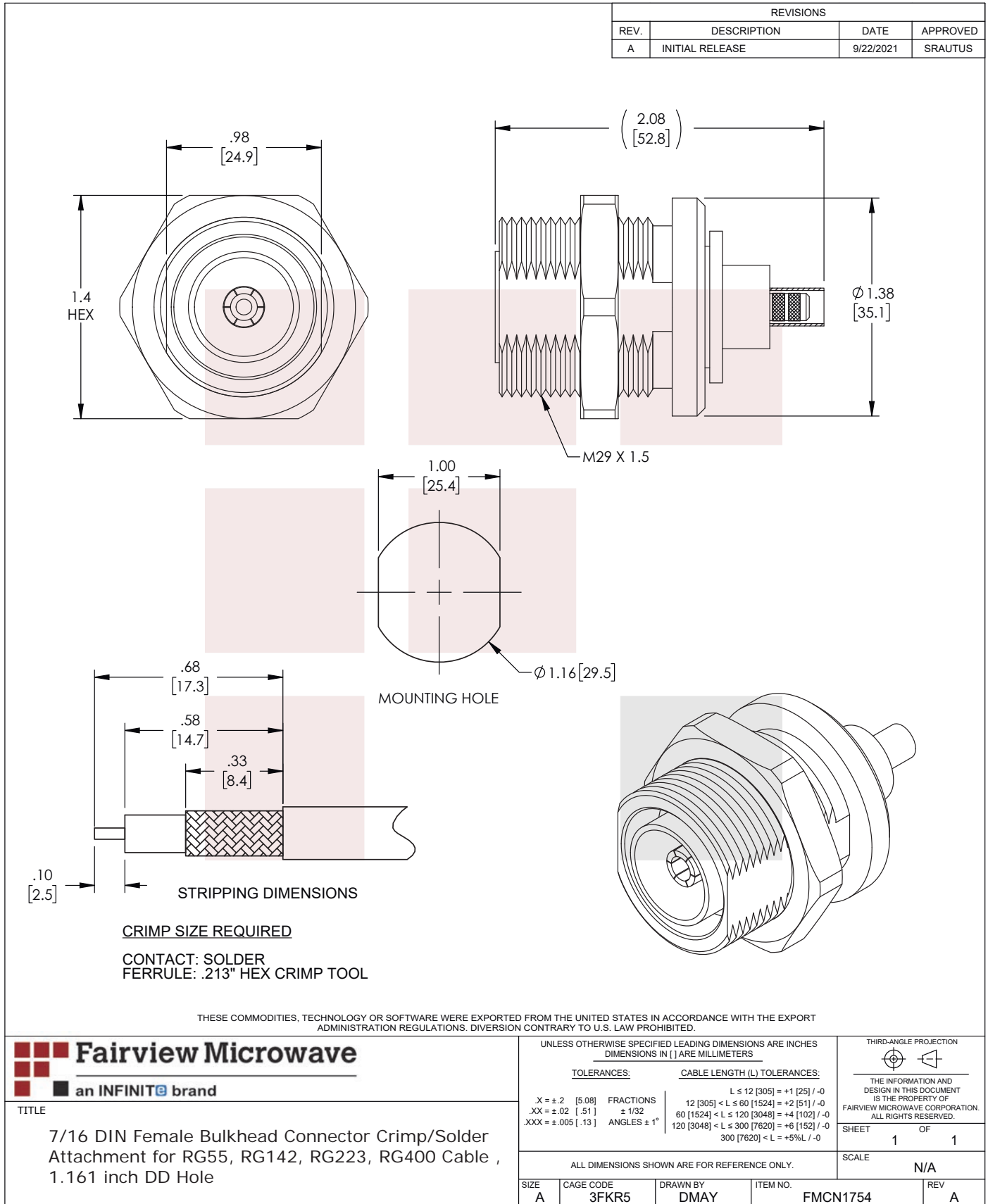
7/16 DIN Female Bulkhead Connector Crimp/Solder Attachment for RG55, RG142, RG223, RG400 Cable , 1.161 inch DD Hole from Fairview Microwave is in-stock and available to ship same-day. All of our RF/microwave products are available off-the-shelf from our ISO 9001:2008 certified facilities in Lewisville, Texas. Fairview Microwave is RF on-demand.

For additional information on this product, please click the following link: [7/16 DIN Female Bulkhead Connector Crimp/Solder Attachment for RG55, RG142, RG223, RG400 Cable , 1.161 inch DD Hole FMCN1754](#)

URL: <https://www.fairviewmicrowave.com/7-16-din-female-rg55-rg142-rg223-rg400-connector-fmcn1754-p.aspx>

The information contained in this document is accurate to the best of our knowledge and representative of the part described herein. It may be necessary to make modifications to the part and/or the documentation of the part, in order to implement improvements. Fairview Microwave reserves the right to make such changes as required. Unless otherwise stated, all specifications are nominal. Fairview Microwave does not make any representation or warranty regarding the suitability of the part described herein for any particular purpose, and Fairview Microwave does not assume any liability arising out of the use of any part or documentation.





T-Rev.D