

75 Ohm BNC Female Bulkhead Connector  
Clamp/Solder Attachment for RG59BU,  
RG62, RG71 Cable , .480 inch D Hole



**FMCN1609**

**Configuration**

- BNC Female Connector
- MIL-STD-348
- 75 Ohms
- Straight Body Geometry
- Connector Interface Types: RG59BU, RG62, RG71
- Bulkhead

**Features**

- Silver Plated Contact
- Contact plating according to QQ-S-365

**Applications**

- General Purpose Test
- Rack and Panel Mount Applications
- Custom Cable Assemblies
- CATV

**Description**

75 Ohm BNC Female Bulkhead Standard Bulkhead Connector Clamp/Solder Attachment for RG59BU, RG62 and RG71 Cable, part number FMCN1609, from Fairview Microwave is in-stock and ships same day. Fairview's FMCN1609 bulkhead BNC connector enables designers to make external connections on product enclosures, and can be used in a variety of other rack mount and panel mount applications.

Fairview's 75 ohm BNC female bulkhead connector FMCN1609 datasheet specifications and outline drawing are shown in this PDF below. Our extensive offering of RF, microwave and millimeter wave connectors allows designers to configure and customize their signal connections however they like. From providing an I/O for a board design to creating a custom cable assembly configuration, Fairview Microwave has a connector solution to meet your needs. Fairview Microwave also has the expertise to build your custom cable assemblies for you and ship them same-day.

**Electrical Specifications**

Description	Minimum	Typical	Maximum	Units
Impedance		75		Ohms

**Mechanical Specifications**

**Size**

Length	1.15 in [29.21 mm]
Width	0.688 in [17.48 mm]
Weight	0.0415 lbs [18.82 g]

**Material Specifications**

Description	Material	Plating
Contact		Silver QQ-S-365
Insulation	PTFE	
Body	Brass	Nickel QQ-N-290

## 75 Ohm BNC Female Bulkhead Connector Clamp/Solder Attachment for RG59BU, RG62, RG71 Cable , .480 inch D Hole

### FMCN1609



#### Environmental Specifications

##### Temperature

Operating Range

-65 to +165 deg C

**Compliance Certifications** (see [product page](#) for current document)

#### Plotted and Other Data

Notes:

75 Ohm BNC Female Bulkhead Connector Clamp/Solder Attachment for RG59BU, RG62, RG71 Cable , .480 inch D Hole from Fairview Microwave is in-stock and available to ship same-day. All of our RF/microwave products are available off-the-shelf from our ISO 9001:2008 certified facilities in Lewisville, Texas. Fairview Microwave is RF on-demand.

For additional information on this product, please click the following link: [75 Ohm BNC Female Bulkhead Connector Clamp/Solder Attachment for RG59BU, RG62, RG71 Cable , .480 inch D Hole FMCN1609](#)

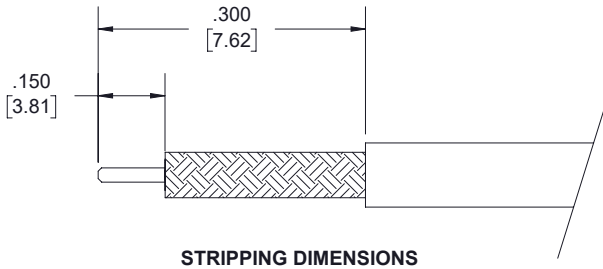
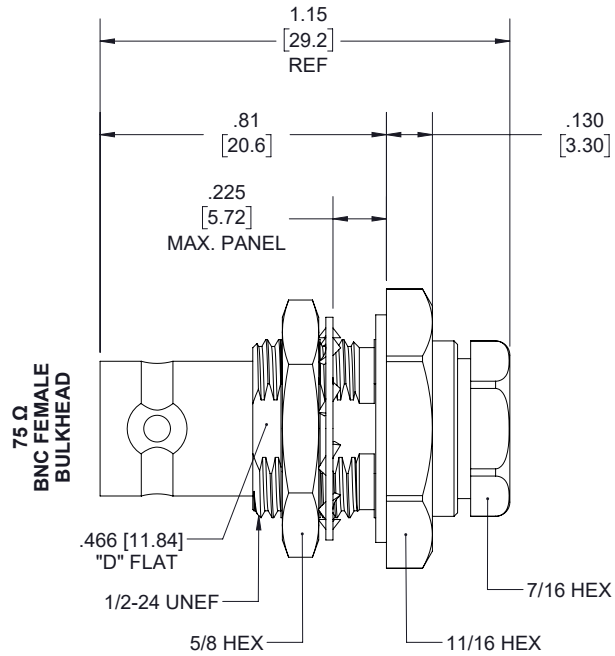
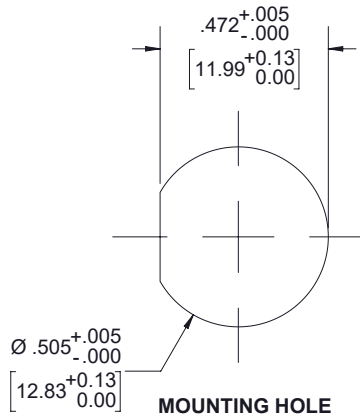
URL: <https://www.fairviewmicrowave.com/bnc-female-rg59bu-rg62-rg71-connector-fmcn1609-p.aspx>

The information contained within this document is accurate to the best of our knowledge and representative of the part described herein. It may be necessary to make modifications to the part and/or the documentation of the part in order to implement improvements. Fairview Microwave reserves the right to make such changes as required. Unless otherwise stated, all specifications are nominal. Fairview Microwave does not make any representation or warranty regarding the suitability of the part described herein for any particular purpose, and Fairview Microwave does not assume liability arising out of the use of any part or document.

# FMCN1609 CAD Drawing

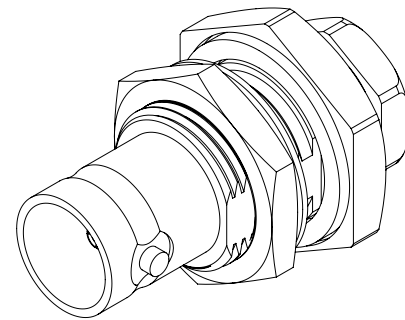
75 Ohm BNC Female Bulkhead Connector Clamp/Solder Attachment  
for RG59BU, RG62, RG71 Cable , .480 inch D Hole

REVISIONS			
REV.	DESCRIPTION	DATE	APPROVED
A	INITIAL RELEASE	2/21/2020	S.ELLIS



**NOTES:**

- CABLE ATTACHMENT:
  - OUTER: CLAMP.
  - INNER: SOLDER.



THESE COMMODITIES, TECHNOLOGY OR SOFTWARE WERE EXPORTED FROM THE UNITED STATES IN ACCORDANCE WITH THE EXPORT ADMINISTRATION REGULATIONS. DIVERSION CONTRARY TO U.S. LAW PROHIBITED.



TITLE

UNLESS OTHERWISE SPECIFIED LEADING DIMENSIONS ARE INCHES  
DIMENSIONS IN [ ] ARE MILLIMETERS

TOLERANCES: FRACTIONS ± 1/32 ANGLES ± 1°

CABLE LENGTH (L) TOLERANCES:  
 L ≤ 12 [305] = +1 [25] / -0  
 12 [305] < L ≤ 60 [1524] = +2 [51] / -0  
 60 [1524] < L ≤ 120 [3048] = +4 [102] / -0  
 120 [3048] < L ≤ 300 [7620] = +6 [152] / -0  
 300 [7620] < L = +5%L / -0

THIRD-ANGLE PROJECTION



THE INFORMATION AND DESIGN IN THIS DOCUMENT IS THE PROPERTY OF FAIRVIEW MICROWAVE CORPORATION. ALL RIGHTS RESERVED.

SHEET 1 OF 2

SCALE N/A

ALL DIMENSIONS SHOWN ARE FOR REFERENCE ONLY.

SIZE A	CAGE CODE 3FKR5	DRAWN BY K.DANG	ITEM NO. FMCN1609	REV A
-----------	--------------------	--------------------	----------------------	----------