

RA SMC Plug PCB Connector Thru Hole Solder Attachment , .200 inch x .067 inch Hole Spacing

RA SMC plug connector with solder attachment for thru hole PCB (.200 inch x .067 inch hole spacing), part number FMCN1558, from Fairview Microwave is in-stock and ships same day. Its right angle body geometry facilitates connections in tight spaces.

Fairview's RA SMC plug connector FMCN1558 datasheet specifications and outline drawing are shown in this PDF below. Our extensive offering of RF, microwave and millimeter wave connectors allows designers to configure and customize their signal connections however they like. From providing an I/O for a board design to creating a custom cable assembly configuration, Fairview Microwave has a connector solution to meet your needs. Fairview Microwave also has the expertise to build your custom cable assemblies for you and ship them same-day.

Mechanical Specifications

Size	
Length	0.56 in [14.22 mm]
Width/Dia.	0.25 in [6.35 mm]
Height	0.437 in [11.1 mm]
Mating Torque	
	3 to 5 in-lbs [0.34 to 0.57 Nm]

Material Specifications

Description	Material	Plating
Contact		Gold MIL-G-45204
Insulation	PTFE	
Body	Brass	Gold MIL-G-45204

Environmental Specifications

Compliance Certifications (see [product page](#) for current document)

Plotted and Other Data

Notes:



Configuration:

- SMC Plug Connector
- MIL-STD-348
- 50 Ohms
- Right Angle Body Geometry
- Thru Hole Interface Type
- Solder Attachment
- 1/4 inch Hex

Features:

- Gold Plated Contact
- Contact plating according to MIL-G-45204

Applications:

- General Purpose Test
- PCB Applications

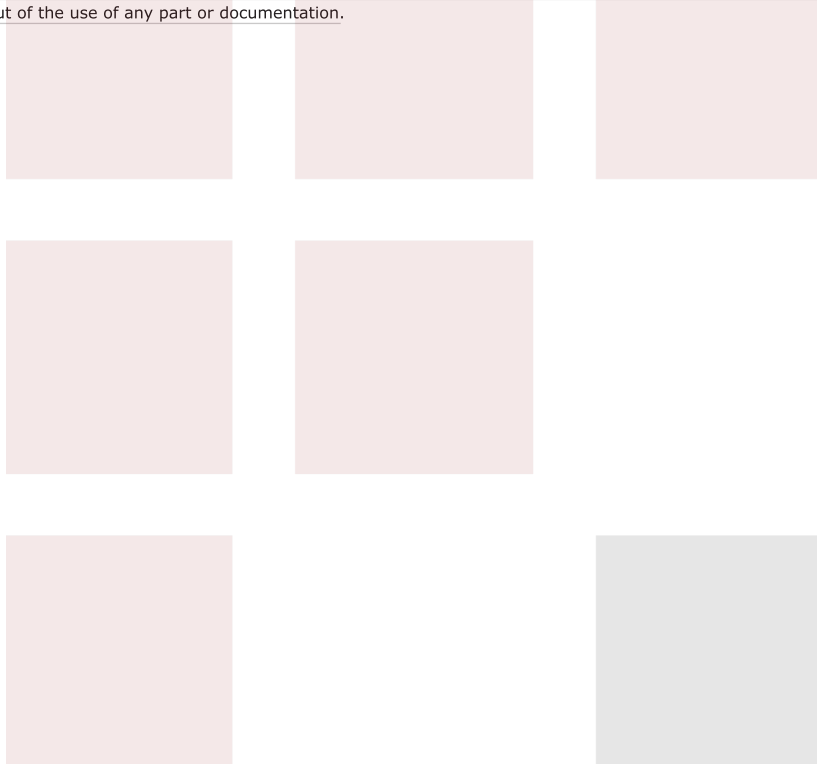
Fairview Microwave
 301 Leora Ln., Suite 100
 Lewisville, TX 75056
 Tel: 1-800-715-4396 / (972) 649-6678
 Fax: (972) 649-6689
www.fairviewmicrowave.com
sales@fairviewmicrowave.com

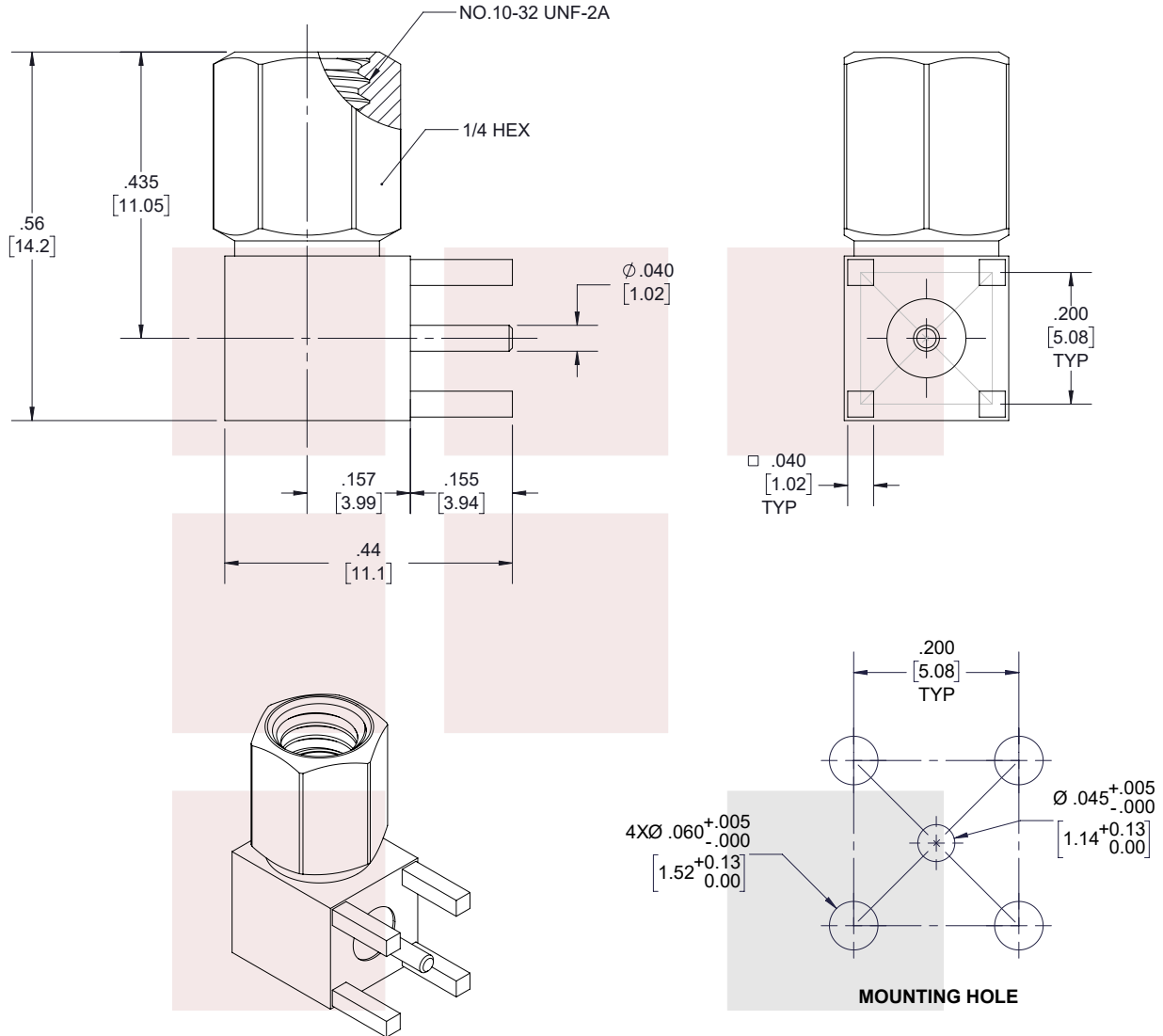
RA SMC Plug PCB Connector Thru Hole Solder Attachment , .200 inch x .067 inch Hole Spacing from Fairview Microwave is in-stock and available to ship same-day. All of our RF/microwave products are available off-the-shelf from our ISO 9001:2008 certified facilities in Allen, Texas. Fairview Microwave is RF on-demand.

For additional information on this product, please click the following link: [RA SMC Plug PCB Connector Thru Hole Solder Attachment , .200 inch x .067 inch Hole Spacing FMCN1558](#)

URL: <https://www.fairviewmicrowave.com/smc-plug-thru-hole-pcb-connector-fmcn1558-p.aspx>

The information contained in this document is accurate to the best of our knowledge and representative of the part described herein. It may be necessary to make modifications to the part and/or the documentation of the part, in order to implement improvements. Fairview Microwave reserves the right to make such changes as required. Unless otherwise stated, all specifications are nominal. Fairview Microwave does not make any representation or warranty regarding the suitability of the part described herein for any particular purpose, and Fairview Microwave does not assume any liability arising out of the use of any part or documentation.





STANDARD TOLERANCES

- .X ±0.2
- .XX ±0.01
- .XXX ±0.005

*STANDARD TOLERANCES APPLY ONLY TO DIMENSIONS IN INCHES

NOTES:
1. UNLESS OTHERWISE SPECIFIED ALL DIMENSIONS ARE NOMINAL.
2. ALL SPECIFICATIONS ARE SUBJECT TO CHANGE WITHOUT NOTICE AT ANY TIME.
3. DIMENSIONS ARE IN INCHES [mm].

TITLE RA SMC Plug PCB Connector Thru Hole Solder Attachment , .200 inch x .067 inch Hole Spacing	DWG NO FMCN1558		CAGE CODE 3FKR5			
	CAD FILE 06/11/19	SHEET 1 OF 1	SCALE N/A	SIZE A	7361	