

## RA 75 Ohm SMC Jack PCB Connector Thru Hole Solder Attachment , .200 inch x .067 inch Hole Spacing

75 Ohm RA SMC jack connector with solder attachment for thru hole PCB (.200 inch x .067 inch hole spacing), part number FMCN1556, from Fairview Microwave is in-stock and ships same day. Its right angle body geometry facilitates connections in tight spaces.

Fairview's 75 ohm SMC jack connector FMCN1556 datasheet specifications and outline drawing are shown in this PDF below. Our extensive offering of RF, microwave and millimeter wave connectors allows designers to configure and customize their signal connections however they like. From providing an I/O for a board design to creating a custom cable assembly configuration, Fairview Microwave has a connector solution to meet your needs. Fairview Microwave also has the expertise to build your custom cable assemblies for you and ship them same-day.

### Mechanical Specifications

#### Size

Length	0.67 in [17.02 mm]
Width/Dia.	0.375 in [9.53 mm]
Height	0.56 in [14.22 mm]

### Material Specifications

Description	Material	Plating
Contact		Gold MIL-G-45204
Insulation	PTFE	
Body	Brass	Nickel QQ-N-290

### Environmental Specifications

**Compliance Certifications** (see [product page](#) for current document)

### Plotted and Other Data

Notes:



### Configuration:

- SMC Jack Connector
- MIL-STD-348
- 75 Ohms
- Right Angle Body Geometry
- Thru Hole Interface Type
- Solder Attachment

### Features:

- Gold Plated Contact
- Contact plating according to MIL-G-45204

### Applications:

- General Purpose Test
- PCB Applications

Fairview Microwave  
301 Leora Ln., Suite 100  
Lewisville, TX 75056  
Tel: 1-800-715-4396 / (972) 649-6678  
Fax: (972) 649-6689  
[www.fairviewmicrowave.com](http://www.fairviewmicrowave.com)  
[sales@fairviewmicrowave.com](mailto:sales@fairviewmicrowave.com)

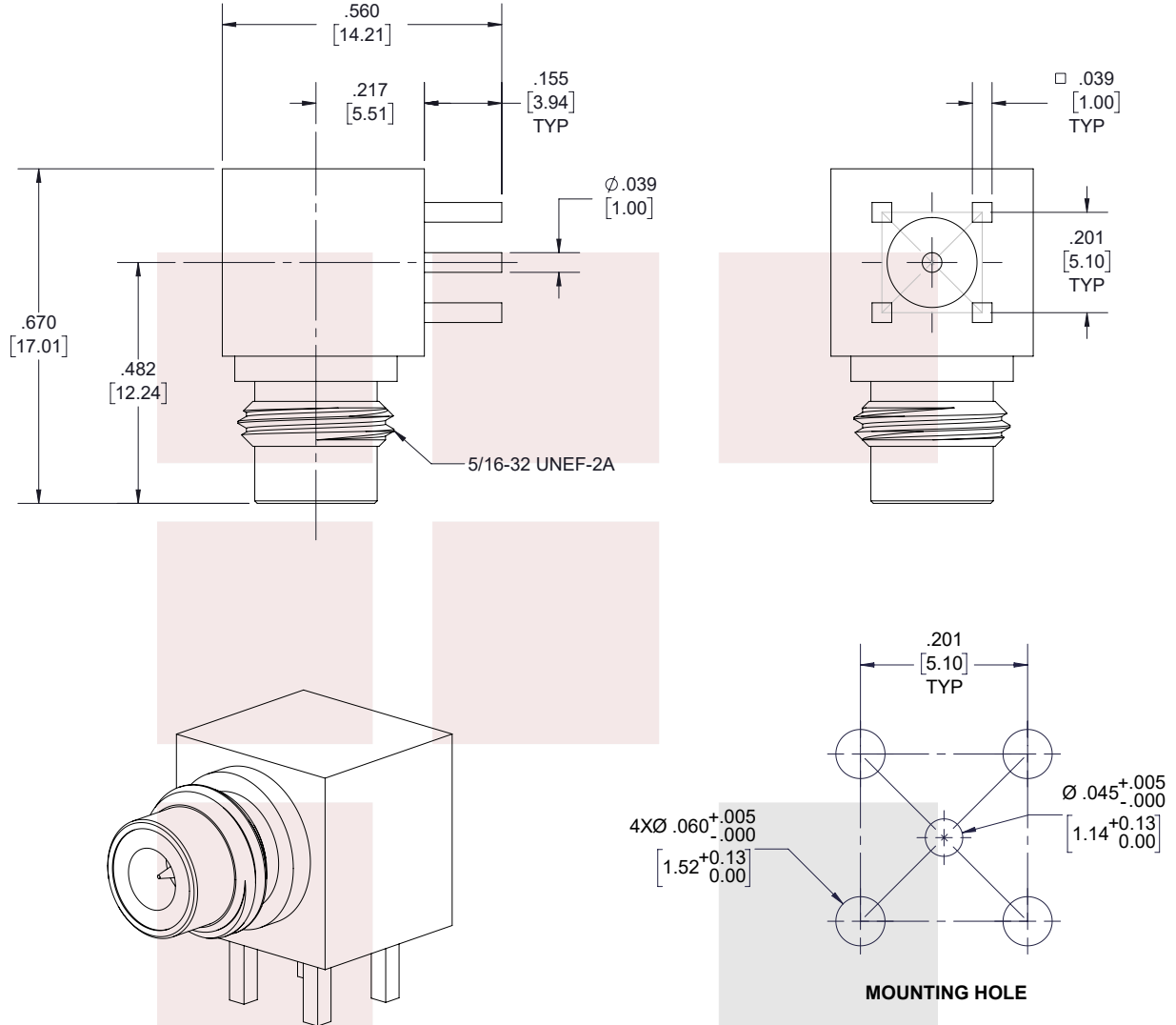
RA 75 Ohm SMC Jack PCB Connector Thru Hole Solder Attachment , .200 inch x .067 inch Hole Spacing from Fairview Microwave is in-stock and available to ship same-day. All of our RF/microwave products are available off-the-shelf from our ISO 9001:2008 certified facilities in Allen, Texas. Fairview Microwave is RF on-demand.

For additional information on this product, please click the following link: [RA 75 Ohm SMC Jack PCB Connector Thru Hole Solder Attachment , .200 inch x .067 inch Hole Spacing FMCN1556](#)

URL: <https://www.fairviewmicrowave.com/smc-jack-thru-hole-pcb-connector-fmcn1556-p.aspx>

The information contained in this document is accurate to the best of our knowledge and representative of the part described herein. It may be necessary to make modifications to the part and/or the documentation of the part, in order to implement improvements. Fairview Microwave reserves the right to make such changes as required. Unless otherwise stated, all specifications are nominal. Fairview Microwave does not make any representation or warranty regarding the suitability of the part described herein for any particular purpose, and Fairview Microwave does not assume any liability arising out of the use of any part or documentation.





STANDARD TOLERANCES	
.X	±0.2
.XX	±0.01
.XXX	±0.005

\*STANDARD TOLERANCES APPLY ONLY TO DIMENSIONS IN INCHES

Fairview Microwave an INFINIT <sup>®</sup> brand		NOTES: 1. UNLESS OTHERWISE SPECIFIED ALL DIMENSIONS ARE NOMINAL. 2. ALL SPECIFICATIONS ARE SUBJECT TO CHANGE WITHOUT NOTICE AT ANY TIME. 3. DIMENSIONS ARE IN INCHES [mm].				
TITLE RA 75 Ohm SMC Jack PCB Connector Thru Hole Solder Attachment , .200 inch x .067 inch Hole Spacing		DWG NO FMCN1556		CAGE CODE 3FKR5		
CAD FILE	06/10/19	SHEET	1 OF 1	SCALE	N/A	SIZE A 7361