

75 Ohm SMC Jack PCB Connector Thru Hole Solder Attachment , .200 inch x .067 inch Hole Spacing

75 Ohm SMC jack connector with solder attachment for thru hole PCB (.200 inch x .067 inch hole spacing), part number FMCN1554, from Fairview Microwave is in-stock and ships same day. This SMC jack connector operates up to a maximum frequency of 1 GHz and offers good VSWR of 1.3:1.

Fairview's 75 ohm SMC jack connector FMCN1554 datasheet specifications and outline drawing are shown in this PDF below. Our extensive offering of RF, microwave and millimeter wave connectors allows designers to configure and customize their signal connections however they like. From providing an I/O for a board design to creating a custom cable assembly configuration, Fairview Microwave has a connector solution to meet your needs. Fairview Microwave also has the expertise to build your custom cable assemblies for you and ship them same-day.

Electrical Specifications

Description	Min	Typ	Max	Units
Frequency Range	DC		1,000	MHz
VSWR			1.3:1	
Operating Voltage (AC)			335	Vrms
DWV (AC)			1,000	Vrms

Mechanical Specifications

Size

Length	0.449 in [11.4 mm]
Width/Dia.	0.374 in [9.50 mm]
Height	0.374 in [9.5 mm]

Material Specifications

Description	Material	Plating
Contact	Brass	Gold 30 µin minimum
Insulation	PTFE	
Body	Brass	Gold 3 µin minimum

Environmental Specifications

Temperature

Operating Range	-65 to +165 deg C
-----------------	-------------------

Compliance Certifications (see [product page](#) for current document)

Plotted and Other Data

Notes:



Configuration:

- SMC Jack Connector
- 75 Ohms
- Straight Body Geometry
- Thru Hole Interface Type
- Solder Attachment

Features:

- Operating Frequency of 1 GHz Max.
- Good VSWR of 1.3:1
- Gold Plated Brass Contact
- 30 µin minimum contact plating

Applications:

- General Purpose Test
- PCB Applications

Fairview Microwave
301 Leora Ln., Suite 100
Lewisville, TX 75056
Tel: 1-800-715-4396 / (972) 649-6678
Fax: (972) 649-6689
www.fairviewmicrowave.com
sales@fairviewmicrowave.com

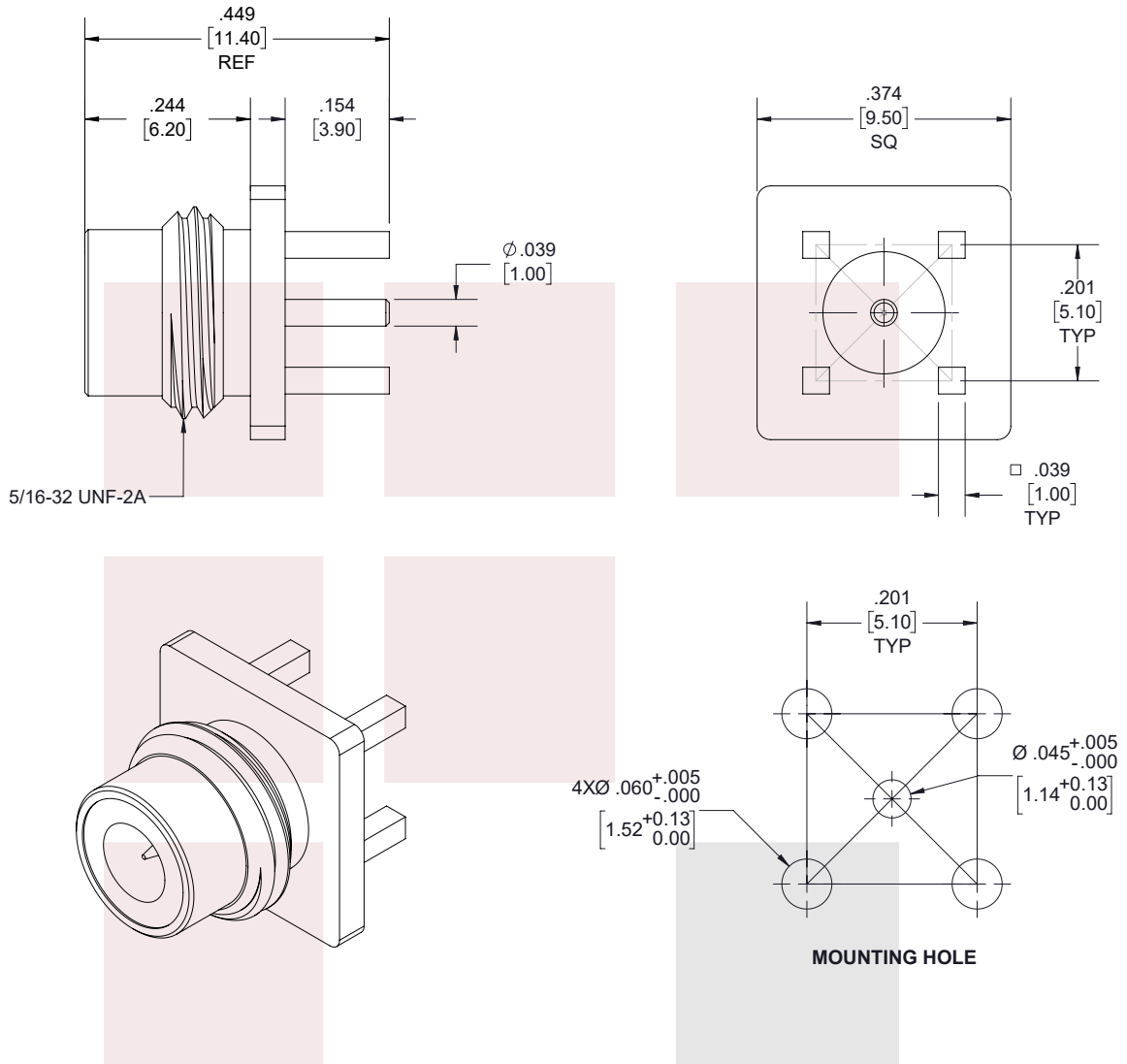
75 Ohm SMC Jack PCB Connector Thru Hole Solder Attachment , .200 inch x .067 inch Hole Spacing from Fairview Microwave is in-stock and available to ship same-day. All of our RF/microwave products are available off-the-shelf from our ISO 9001:2008 certified facilities in Allen, Texas. Fairview Microwave is RF on-demand.

For additional information on this product, please click the following link: [75 Ohm SMC Jack PCB Connector Thru Hole Solder Attachment , .200 inch x .067 inch Hole Spacing FMCN1554](#)

URL: <https://www.fairviewmicrowave.com/smc-jack-thru-hole-pcb-connector-fmcn1554-p.aspx>

The information contained in this document is accurate to the best of our knowledge and representative of the part described herein. It may be necessary to make modifications to the part and/or the documentation of the part, in order to implement improvements. Fairview Microwave reserves the right to make such changes as required. Unless otherwise stated, all specifications are nominal. Fairview Microwave does not make any representation or warranty regarding the suitability of the part described herein for any particular purpose, and Fairview Microwave does not assume any liability arising out of the use of any part or documentation.





STANDARD TOLERANCES

.X ±0.2
.XX ±0.01
.XXX ±0.005

*STANDARD TOLERANCES APPLY ONLY TO DIMENSIONS IN INCHES

NOTES:
1. UNLESS OTHERWISE SPECIFIED ALL DIMENSIONS ARE NOMINAL.
2. ALL SPECIFICATIONS ARE SUBJECT TO CHANGE WITHOUT NOTICE AT ANY TIME.
3. DIMENSIONS ARE IN INCHES [mm].

TITLE 75 Ohm SMC Jack PCB Connector Thru Hole Solder Attachment , .200 inch x .067 inch Hole Spacing	DWG NO FMCN1554		CAGE CODE 3FKR5			
	CAD FILE 06/10/19	SHEET 1 OF 1	SCALE N/A	SIZE A	7361	