

## SMC Jack PCB Connector Thru Hole Solder Attachment , .200 inch x .067 inch Hole Spacing

SMC jack connector with solder attachment for thru hole PCB (.200 inch x .067 inch hole spacing), part number FMCN1553, from Fairview Microwave is in-stock and ships same day. This SMC jack connector operates up to a maximum frequency of 10 GHz and offers good VSWR of 1.3:1.

Fairview's SMC jack connector FMCN1553 datasheet specifications and outline drawing are shown in this PDF below. Our extensive offering of RF, microwave and millimeter wave connectors allows designers to configure and customize their signal connections however they like. From providing an I/O for a board design to creating a custom cable assembly configuration, Fairview Microwave has a connector solution to meet your needs. Fairview Microwave also has the expertise to build your custom cable assemblies for you and ship them same-day.

### Electrical Specifications

Description	Min	Typ	Max	Units
Frequency Range	DC		10	GHz
VSWR			1.3:1	
Operating Voltage (AC)			335	Vrms

### Mechanical Specifications

<b>Size</b>	
Length	0.449 in [11.4 mm]
Width/Dia.	0.25 in [6.35 mm]

### Material Specifications

Description	Material	Plating
Contact	Brass	Gold 30 µin minimum
Insulation	PTFE	
Body	Brass	Gold 3 µin minimum

### Environmental Specifications

<b>Temperature</b>	
Operating Range	-65 to +165 deg C

**Compliance Certifications** (see [product page](#) for current document)

### Plotted and Other Data

Notes:



### Configuration:

- SMC Jack Connector
- MIL-STD-348A
- 50 Ohms
- Straight Body Geometry
- Thru Hole Interface Type
- Solder Attachment

### Features:

- Operating Frequency of 10 GHz Max.
- Good VSWR of 1.3:1
- Gold Plated Brass Contact
- 30 µin minimum contact plating

### Applications:

- General Purpose Test
- PCB Applications

Fairview Microwave  
 301 Leora Ln., Suite 100  
 Lewisville, TX 75056  
 Tel: 1-800-715-4396 / (972) 649-6678  
 Fax: (972) 649-6689  
[www.fairviewmicrowave.com](http://www.fairviewmicrowave.com)  
[sales@fairviewmicrowave.com](mailto:sales@fairviewmicrowave.com)

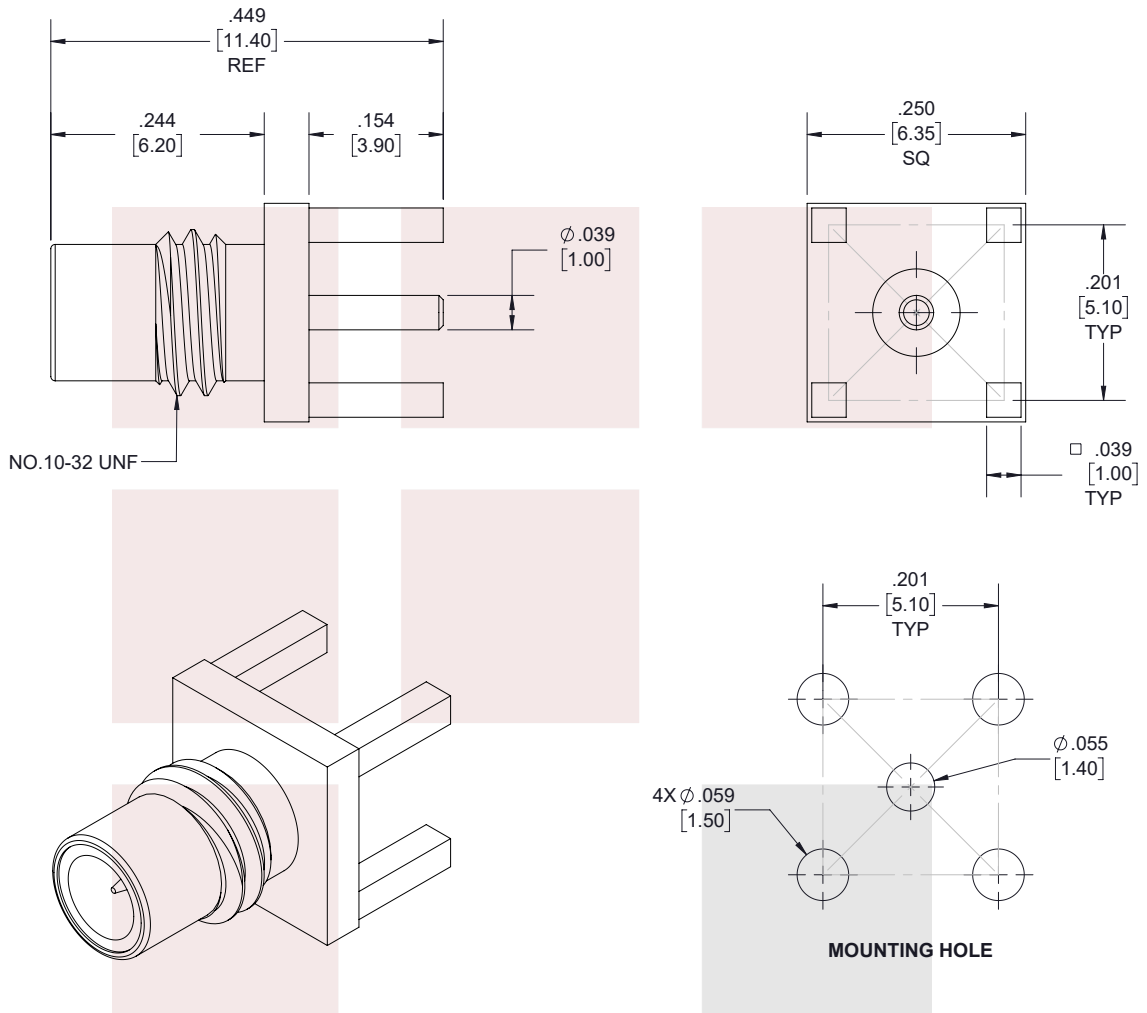
SMC Jack PCB Connector Thru Hole Solder Attachment , .200 inch x .067 inch Hole Spacing from Fairview Microwave is in-stock and available to ship same-day. All of our RF/microwave products are available off-the-shelf from our ISO 9001:2008 certified facilities in Allen, Texas. Fairview Microwave is RF on-demand.

For additional information on this product, please click the following link: [SMC Jack PCB Connector Thru Hole Solder Attachment , .200 inch x .067 inch Hole Spacing FMCN1553](#)

URL: <https://www.fairviewmicrowave.com/smc-jack-thru-hole-pcb-connector-fmcn1553-p.aspx>

The information contained in this document is accurate to the best of our knowledge and representative of the part described herein. It may be necessary to make modifications to the part and/or the documentation of the part, in order to implement improvements. Fairview Microwave reserves the right to make such changes as required. Unless otherwise stated, all specifications are nominal. Fairview Microwave does not make any representation or warranty regarding the suitability of the part described herein for any particular purpose, and Fairview Microwave does not assume any liability arising out of the use of any part or documentation.





**STANDARD TOLERANCES**

.X ±0.2  
.XX ±0.01  
.XXX ±0.005

\*STANDARD TOLERANCES APPLY ONLY TO DIMENSIONS IN INCHES

NOTES:  
1. UNLESS OTHERWISE SPECIFIED ALL DIMENSIONS ARE NOMINAL.  
2. ALL SPECIFICATIONS ARE SUBJECT TO CHANGE WITHOUT NOTICE AT ANY TIME.  
3. DIMENSIONS ARE IN INCHES [mm].

TITLE SMC Jack PCB Connector Thru Hole Solder Attachment , .200 inch x .067 inch Hole Spacing	DWG NO <b>FMCN1553</b>		CAGE CODE <b>3FKR5</b>			
	CAD FILE 06/07/19	SHEET 1 OF 1	SCALE N/A	SIZE A	7361	