

## 2.92mm Male PCB Connector Vertical Launch Clamp Attachment Removable Stripline Launch

2.92mm male connector with clamp attachment for vertical launch PCB, part number FMCN1477, from Fairview Microwave is in-stock and ships same day. This 2.92mm male connector operates up to a maximum frequency of 40 GHz and offers good VSWR of 1.3:1.

Fairview's 2.92mm male connector FMCN1477 datasheet specifications and outline drawing are shown in this PDF below. Our extensive offering of RF, microwave and millimeter wave connectors allows designers to configure and customize their signal connections however they like. From providing an I/O for a board design to creating a custom cable assembly configuration, Fairview Microwave has a connector solution to meet your needs. Fairview Microwave also has the expertise to build your custom cable assemblies for you and ship them same-day.

### Electrical Specifications

Description	Min	Typ	Max	Units
Frequency Range	DC		40	GHz
VSWR			1.3:1	

#### Electrical Specification Notes:

Actual VSWR performance is largely dependent on circuit board design. For optimal results, the connector and circuit launch geometry should be modeled using Electromagnetic Simulation tools.

### Mechanical Specifications

#### Size

Length	0.5 in [12.7 mm]
Width/Dia.	0.315 in [8.00 mm]
Height	0.39 in [9.91 mm]
Weight	0.011 lbs [4.99 g]
Mating Cycles	500 Cycles

### Material Specifications

Description	Material	Plating
Contact	Brass	Gold
Insulation	Ultem1000	
Body	Passivated Stainless Steel	
Coupling Nut	Passivated Stainless Steel	

#### Mechanical Specification Notes:

Launch Pin is Gold Plated Beryllium Copper

### Environmental Specifications

### Compliance Certifications (see [product page](#) for current document)

### Plotted and Other Data

Notes:



### Configuration:

- 2.92mm Male Connector
- 50 Ohms
- Straight Body Geometry
- Vertical Launch Interface Type
- Clamp Attachment

### Features:

- Operating Frequency of 40 GHz Max.
- Good VSWR of 1.3:1
- Gold Plated Brass Contact
- Reusable vertical launch installation

### Applications:

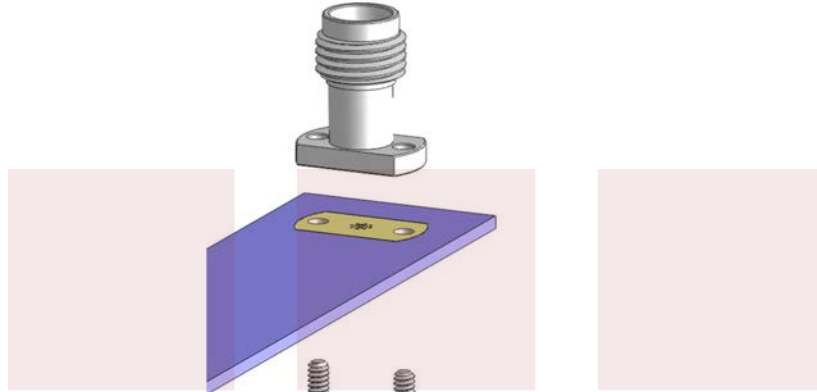
- General Purpose Test
- PCB Applications
- Signal Integrity Measurement
- Chip Evaluations
- SERDES
- Vertical Launch Test Fixtures

Fairview Microwave  
301 Leora Ln., Suite 100  
Lewisville, TX 75056  
Tel: 1-800-715-4396 / (972) 649-6678  
Fax: (972) 649-6689  
[www.fairviewmicrowave.com](http://www.fairviewmicrowave.com)  
[sales@fairviewmicrowave.com](mailto:sales@fairviewmicrowave.com)

**Assembly Instruction**

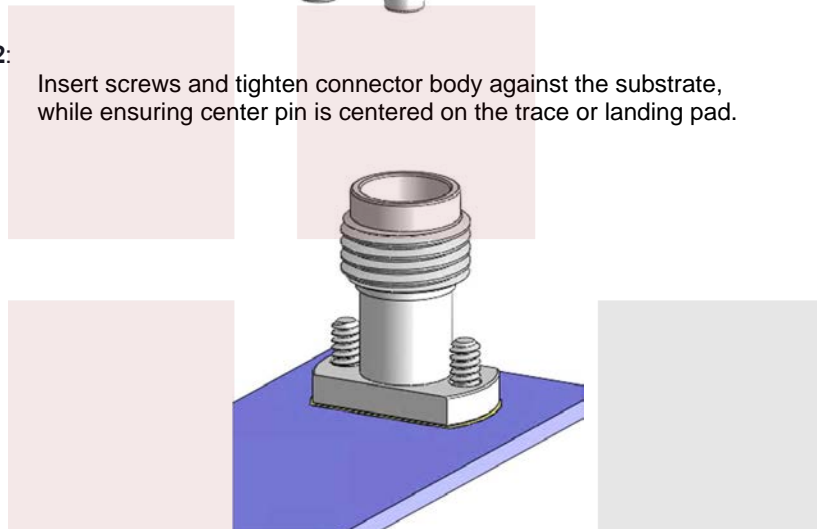
**STEP 1 :**

Position vertical launch above substrate.

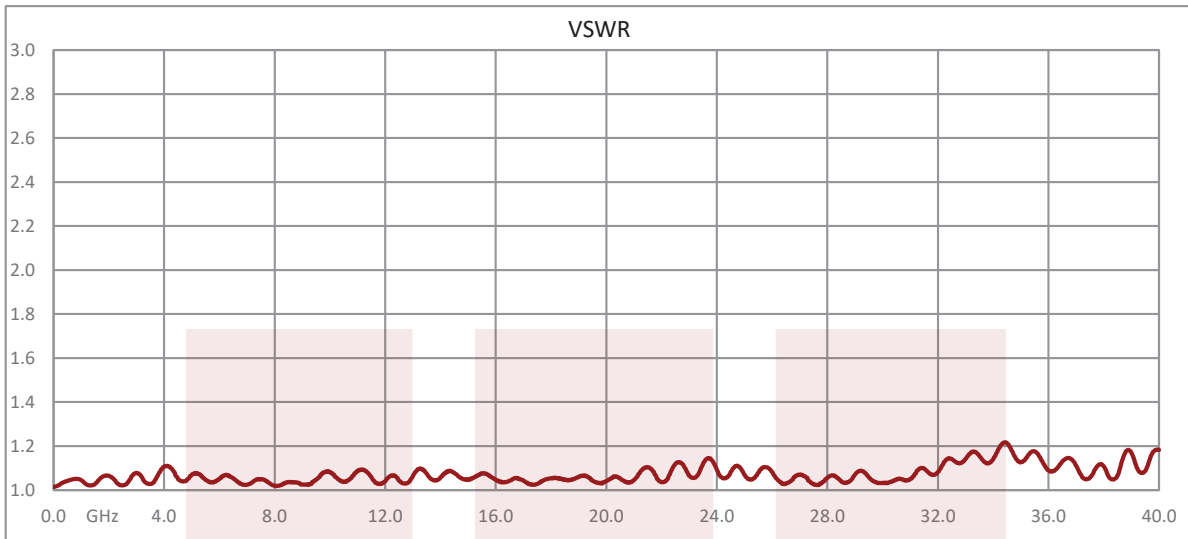


**STEP 2:**

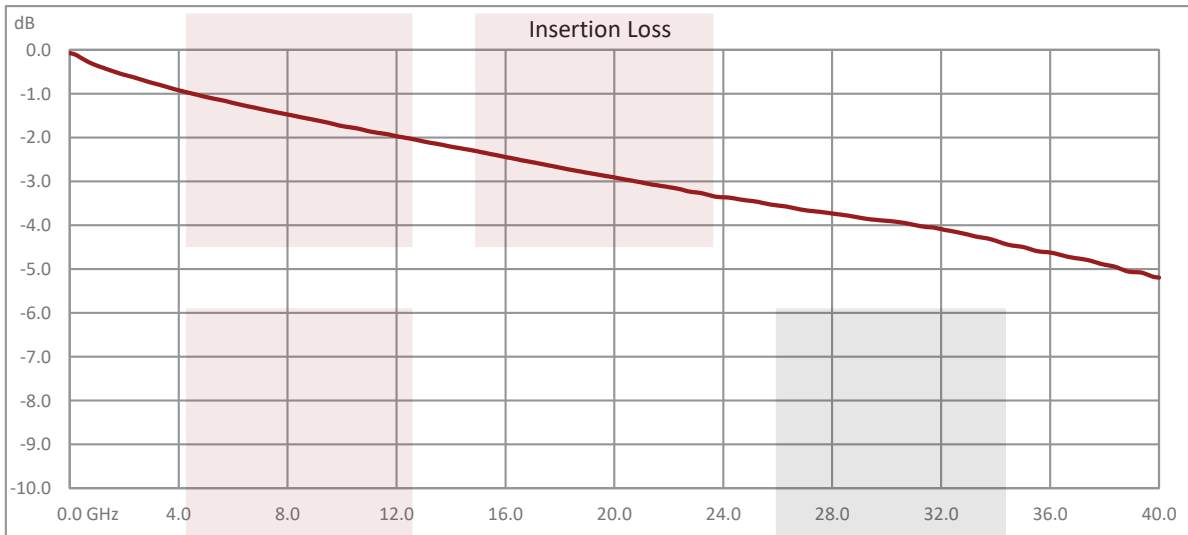
Insert screws and tighten connector body against the substrate, while ensuring center pin is centered on the trace or landing pad.



**Typical Performance Data**



Test data taken with 2 connectors on both ends of test fixture



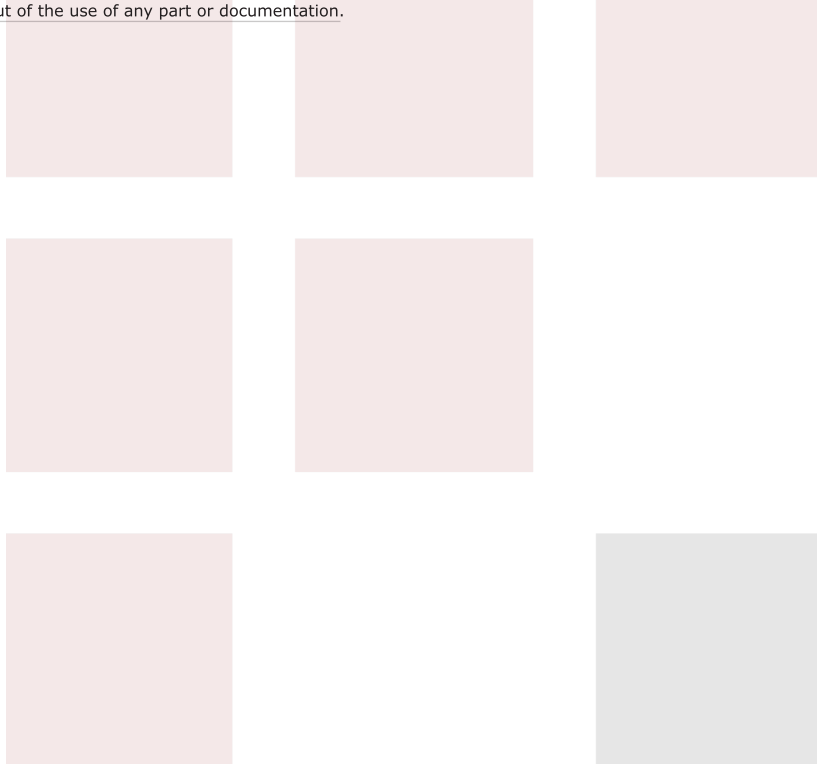
Test data taken with 2 connectors on both ends of test fixture

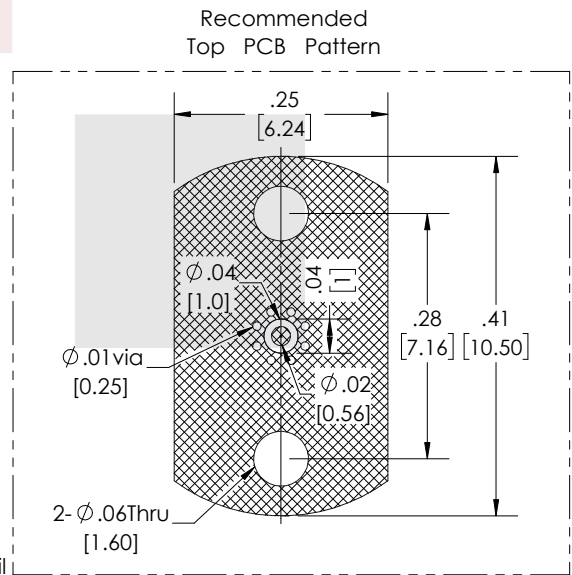
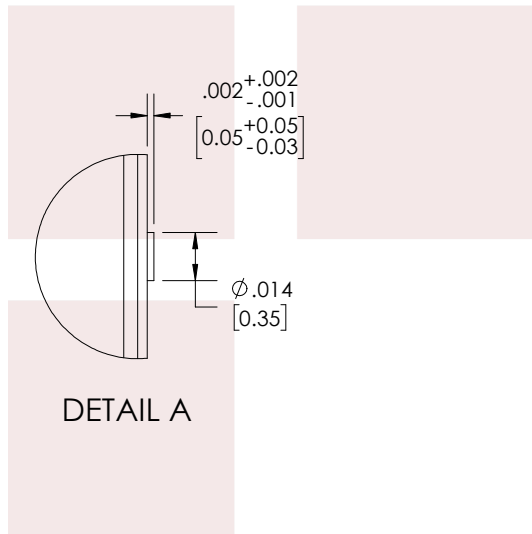
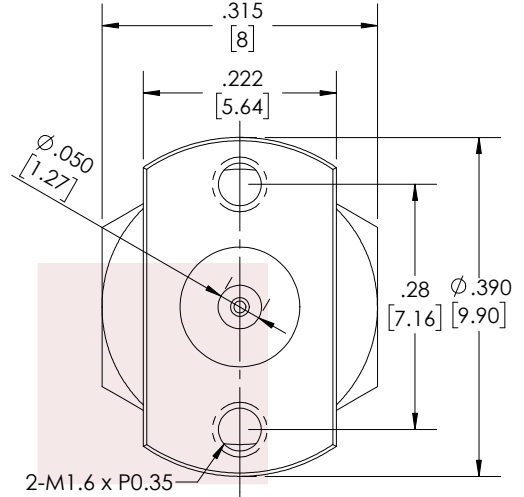
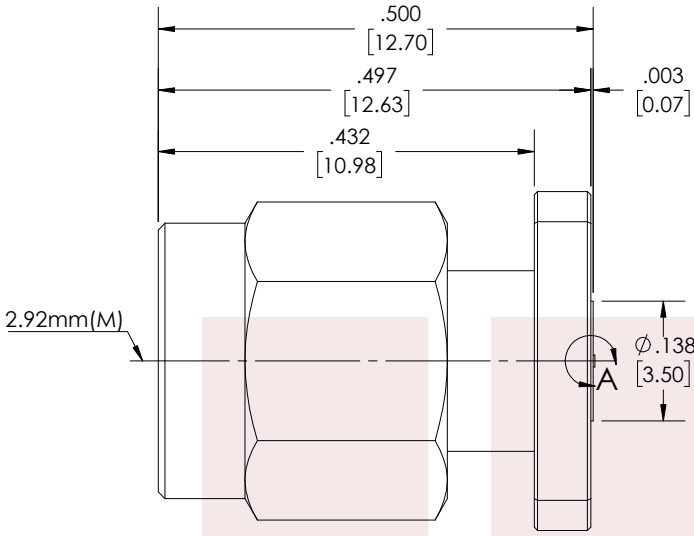
2.92mm Male PCB Connector Vertical Launch Clamp Attachment Removable Stripline Launch from Fairview Microwave is in-stock and available to ship same-day. All of our RF/microwave products are available off-the-shelf from our ISO 9001:2008 certified facilities in Allen, Texas. Fairview Microwave is RF on-demand.

For additional information on this product, please click the following link: [2.92mm Male PCB Connector Vertical Launch Clamp Attachment Removable Stripline Launch FMCN1477](#)

URL: <https://www.fairviewmicrowave.com/2.92mm-male-vertical-launch-pcb-connector-fmcn1477-p.aspx>

The information contained in this document is accurate to the best of our knowledge and representative of the part described herein. It may be necessary to make modifications to the part and/or the documentation of the part, in order to implement improvements. Fairview Microwave reserves the right to make such changes as required. Unless otherwise stated, all specifications are nominal. Fairview Microwave does not make any representation or warranty regarding the suitability of the part described herein for any particular purpose, and Fairview Microwave does not assume any liability arising out of the use of any part or documentation.





STANDARD TOLERANCES	
.X	±0.2
.XX	±0.01
.XXX	±0.005

\*STANDARD TOLERANCES APPLY ONLY TO DIMENSIONS IN INCHES

\* PCB : R04003C 8mil

<b>FAIRVIEW MICROWAVE INC.</b> ALLEN, TX 75013 WWW.FAIRVIEWMICROWAVE.COM		NOTES: 1. UNLESS OTHERWISE SPECIFIED ALL DIMENSIONS ARE NOMINAL. 2. ALL SPECIFICATIONS ARE SUBJECT TO CHANGE WITHOUT NOTICE AT ANY TIME. 3. DIMENSIONS ARE IN INCHES [mm].	
TITLE 2.92mm Male PCB Connector Vertical Launch Clamp Attachment Removable Stripline Launch		DWG NO FMCN1477	CAGE CODE 3FKR5
CAD FILE 06/04/18	SHEET	SCALE N/A	SIZE A CN2379