

## Mini SMP Male Full Detent PCB Connector Surface Mount Solder Attachment

Mini SMP male full detent connector with solder attachment for surface mount PCB, part number FMCN1381, from Fairview Microwave is in-stock and ships same day. This Mini SMP male connector operates up to a maximum frequency of 65 GHz and offers good VSWR of 2.1:1. This blind mate connector is ideal for applications without direct visual or tactile access to the connection point, for example, when two circuit boards need to be mated.

Fairview's Mini SMP male connector FMCN1381 datasheet specifications and outline drawing are shown in this PDF below. Our extensive offering of RF, microwave and millimeter wave connectors allows designers to configure and customize their signal connections however they like. From providing an I/O for a board design to creating a custom cable assembly configuration, Fairview Microwave has a connector solution to meet your needs. Fairview Microwave also has the expertise to build your custom cable assemblies for you and ship them same-day.

### Electrical Specifications

Description	Min	Typ	Max	Units
Frequency Range	DC		65	GHz
VSWR			2.1:1	
Operating Voltage (AC)			325	Vrms
Inner Cond. DC Resistance			6	mOhms
Outer Cond. DC Resistance			2	mOhms
Insulation Resistance	5,000			MOhms

### Performance by Frequency

Description	F1	F2	F3	F4	F5	Units
Frequency Range	DC to 26.526.5	40	40 to 65			GHz
VSWR, Max	1.26:1	1.58:1	2.1:1			

Electrical Specification Notes:  
Insertion loss =  $0.05 \times \sqrt{\text{fGHz}}$  dB max up to 26.5 GHz.

### Mechanical Specifications

<b>Size</b>	
Length	0.16 in [4.06 mm]
Width/Dia.	0.157 in [3.99 mm]
Mating Cycles	100 Cycles

### Material Specifications

Description	Material	Plating
Contact	Beryllium Copper	Gold
Insulation	PEEK	
Body	Brass	Gold



### Configuration:

- Full Detent Mini SMP Male Connector
- MIL-STD-348A
- 50 Ohms
- Straight Body Geometry
- Surface Mount Interface Type
- Solder Attachment

### Features:

- Operating Frequency of 65 GHz Max.
- Good VSWR of 2.1:1
- Blind Mate Connector
- Gold Plated Beryllium Copper Contact

### Applications:

- General Purpose Test
- Space Saving for PCB Applications

Fairview Microwave  
1130 Junction Dr. #100  
Allen, TX 75013  
Tel: 1-800-715-4396 / (972) 649-6678  
Fax: (972) 649-6689  
[www.fairviewmicrowave.com](http://www.fairviewmicrowave.com)  
[sales@fairviewmicrowave.com](mailto:sales@fairviewmicrowave.com)

**Environmental Specifications**

**Temperature**

Operating Range	-55 to +155 deg C
Humidity	MIL-STD-202, Method 106
Shock	MIL-STD-202, Method 213, Condition A
Vibration	MIL-STD-202, Method 204, Condition A
Thermal Shock	MIL-STD-202, Method 107, Condition B

**Compliance Certifications** (see [product page](#) for current document)

**Plotted and Other Data**

Notes:

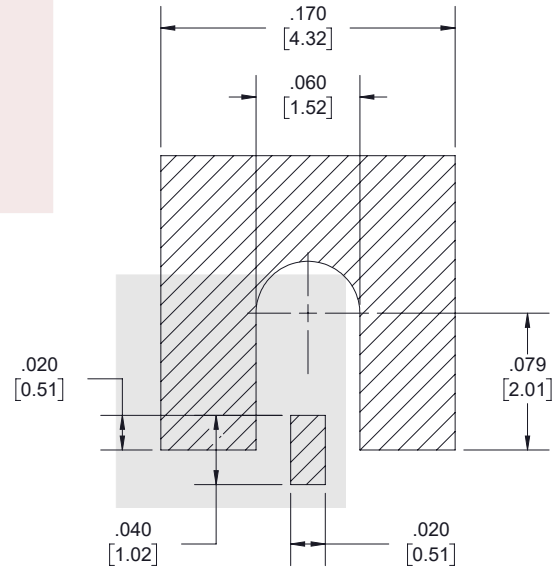
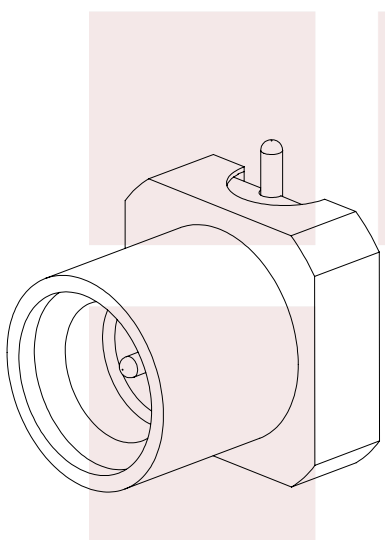
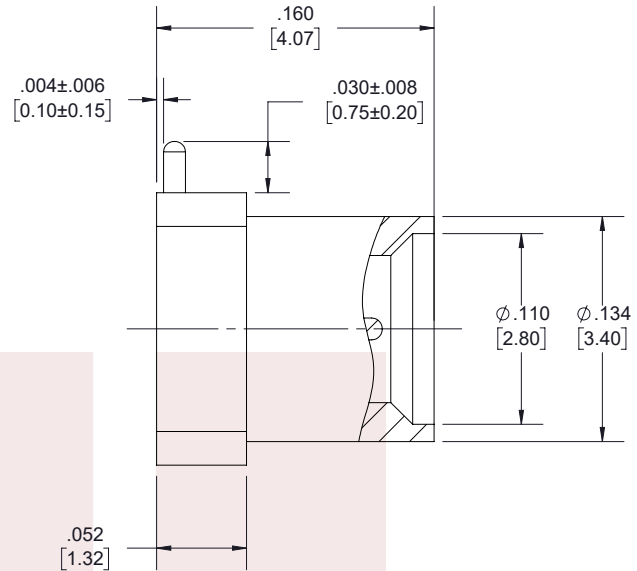
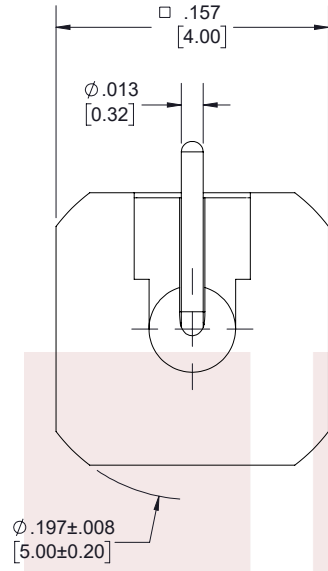
**Assembly Instruction**

Mini SMP Male Full Detent PCB Connector Surface Mount Solder Attachment from Fairview Microwave is in-stock and available to ship same-day. All of our RF/microwave products are available off-the-shelf from our ISO 9001:2008 certified facilities in Allen, Texas. Fairview Microwave is RF on-demand.

For additional information on this product, please click the following link: [Mini SMP Male Full Detent PCB Connector Surface Mount Solder Attachment FMCN1381](#)

URL: <https://www.fairviewmicrowave.com/mini-smp-male-full-detent-surface-mount-pcb-connector-fmcn1381-p.aspx>

The information contained in this document is accurate to the best of our knowledge and representative of the part described herein. It may be necessary to make modifications to the part and/or the documentation of the part, in order to implement improvements. Fairview Microwave reserves the right to make such changes as required. Unless otherwise stated, all specifications are nominal. Fairview Microwave does not make any representation or warranty regarding the suitability of the part described herein for any particular purpose, and Fairview Microwave does not assume any liability arising out of the use of any part or documentation.



**PCB LAYOUT**

STANDARD TOLERANCES	
.X	±0.2
.XX	±0.01
.XXX	±0.005

\*STANDARD TOLERANCES APPLY ONLY TO DIMENSIONS IN INCHES

<b>FAIRVIEW MICROWAVE INC.</b> ALLEN, TX 75013 WWW.FAIRVIEWMICROWAVE.COM		NOTES: 1. UNLESS OTHERWISE SPECIFIED ALL DIMENSIONS ARE NOMINAL. 2. ALL SPECIFICATIONS ARE SUBJECT TO CHANGE WITHOUT NOTICE AT ANY TIME. 3. DIMENSIONS ARE IN INCHES [mm].				
TITLE Mini SMP Male Full Detent PCB Connector Surface Mount Solder Attachment		DWG NO FMCN1381		CAGE CODE 3FKR5		
CAD FILE	101817	SHEET	1 OF 1	SCALE	N/A	SIZE A 7361