

SMC Jack PCB Connector Surface Mount Solder Attachment

SMC jack connector with solder attachment for surface mount PCB, part number FMCN1376, from Fairview Microwave is in-stock and ships same day. This SMC jack connector operates up to a maximum frequency of 10 GHz.

Fairview's SMC jack connector FMCN1376 datasheet specifications and outline drawing are shown in this PDF below. Our extensive offering of RF, microwave and millimeter wave connectors allows designers to configure and customize their signal connections however they like. From providing an I/O for a board design to creating a custom cable assembly configuration, Fairview Microwave has a connector solution to meet your needs. Fairview Microwave also has the expertise to build your custom cable assemblies for you and ship them same-day.

Electrical Specifications

Description	Min	Typ	Max	Units
Frequency Range	DC		10	GHz
Operating Voltage (AC)			335	Vrms
DWV (AC)			1,000	Vrms
High Potential Voltage at 4 and 7 MHz			600	Vrms
Insulation Resistance	1,000			MOhms

Mechanical Specifications

Size	
Length	0.32 in [8.13 mm]
Width/Dia.	0.28 in [7.11 mm]
Height	0.28 in [7.11 mm]
Mating Cycles	500 Cycles

Material Specifications

Description	Material	Plating
Contact	Brass	Gold over Nickel 30 µin minimum
Insulation	PTFE	
Body	Brass	Gold over Nickel 10 µin minimum

Environmental Specifications

Temperature

Operating Range	-65 to +165 deg C
Shock	MIL-STD-202, Method 213, Condition C
Vibration	MIL-STD-202, Method 204, Condition D
Thermal Shock	MIL-STD-202, Method 107, Condition B



Configuration:

- SMC Jack Connector
- MIL-C-39012
- 50 Ohms
- Straight Body Geometry
- Surface Mount Interface Type
- Solder Attachment

Features:

- Operating Frequency of 10 GHz Max.
- Gold over Nickel Plated Brass Contact
- 30 µin minimum contact plating

Applications:

- General Purpose Test
- PCB Applications

Fairview Microwave
301 Leora Ln., Suite 100
Lewisville, TX 75056
Tel: 1-800-715-4396 / (972) 649-6678
Fax: (972) 649-6689
www.fairviewmicrowave.com
sales@fairviewmicrowave.com

Salt Spray

MIL-STD-202, Method 101, Condition B

Compliance Certifications (see [product page](#) for current document)

Plotted and Other Data

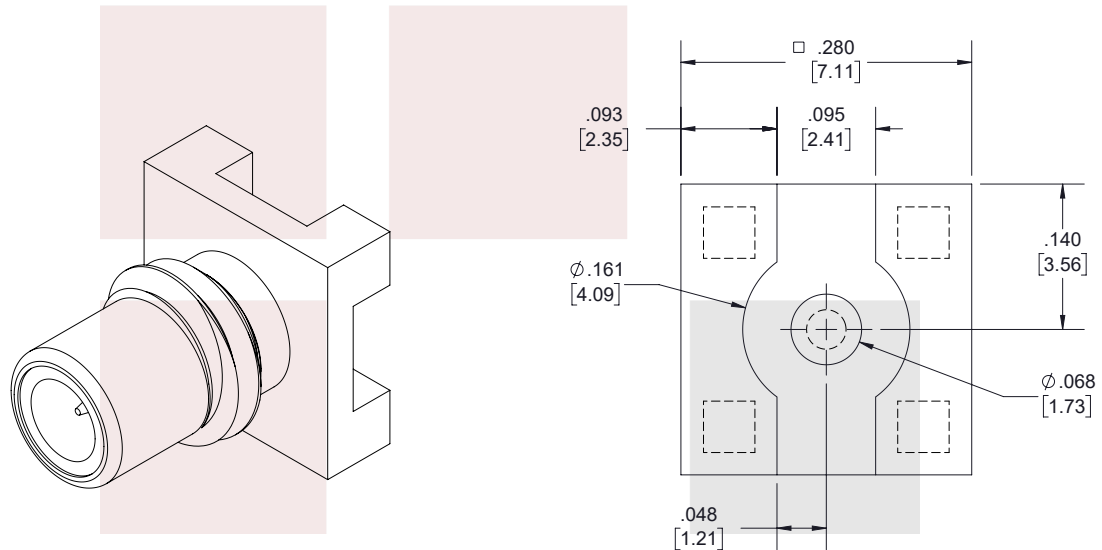
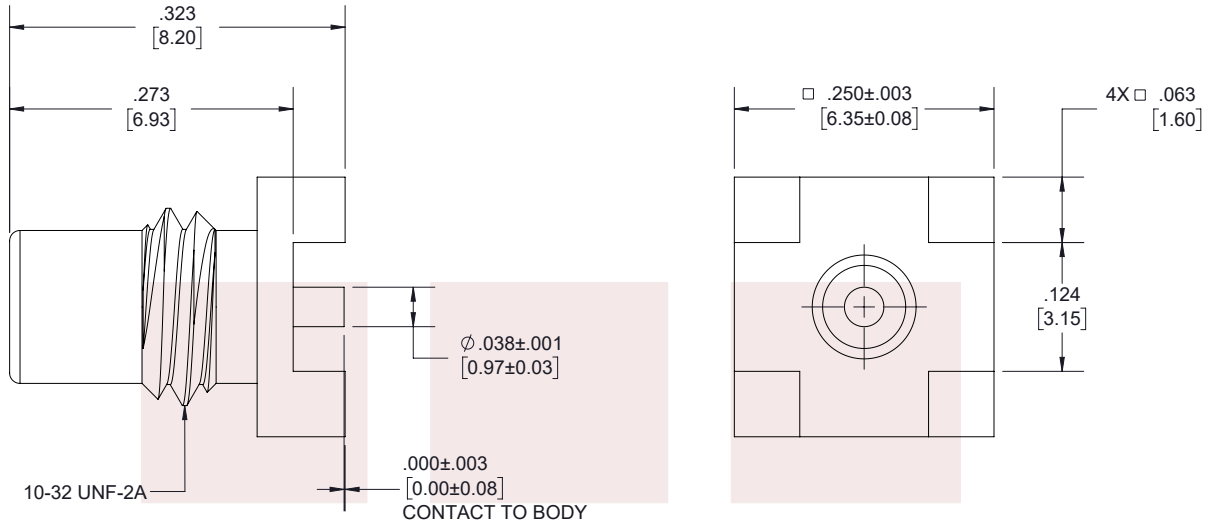
Notes:

SMC Jack PCB Connector Surface Mount Solder Attachment from Fairview Microwave is in-stock and available to ship same-day. All of our RF/microwave products are available off-the-shelf from our ISO 9001:2008 certified facilities in Allen, Texas. Fairview Microwave is RF on-demand.

For additional information on this product, please click the following link: [SMC Jack PCB Connector Surface Mount Solder Attachment FMCN1376](#)

URL: <https://www.fairviewmicrowave.com/smc-jack-surface-mount-pcb-connector-fmcn1376-p.aspx>

The information contained in this document is accurate to the best of our knowledge and representative of the part described herein. It may be necessary to make modifications to the part and/or the documentation of the part, in order to implement improvements. Fairview Microwave reserves the right to make such changes as required. Unless otherwise stated, all specifications are nominal. Fairview Microwave does not make any representation or warranty regarding the suitability of the part described herein for any particular purpose, and Fairview Microwave does not assume any liability arising out of the use of any part or documentation.



LAND PATTERN

STANDARD TOLERANCES	
.X	±0.2
.XX	±0.01
.XXX	±0.005

*STANDARD TOLERANCES APPLY ONLY TO DIMENSIONS IN INCHES

FAIRVIEW MICROWAVE INC. ALLEN, TX 75013 WWW.FAIRVIEWMICROWAVE.COM		NOTES: 1. UNLESS OTHERWISE SPECIFIED ALL DIMENSIONS ARE NOMINAL. 2. ALL SPECIFICATIONS ARE SUBJECT TO CHANGE WITHOUT NOTICE AT ANY TIME. 3. DIMENSIONS ARE IN INCHES [mm].				
TITLE SMC Jack PCB Connector Surface Mount Solder Attachment		DWG NO FMCN1376		CAGE CODE 3FKR5		
CAD FILE	110917	SHEET	1 OF 1	SCALE	N/A	SIZE A 7361