

## MHV Female (Jack) Bulkhead Hermetically Sealed Connector Solder Cup Terminal, .380 inch DD Hole, Solder

MHV Female Bulkhead Standard Hermetically Sealed Bulkhead Connector Solder Attachment for Solder Cup Cable, part number FMCN1370, from Fairview Microwave is in-stock and ships same day. This MHV female connector operates up to a maximum frequency of 500 MHz. Fairview's FMCN1370 bulkhead MHV connector enables designers to make external connections on product enclosures, and can be used in a variety of other rack mount and panel mount applications.

Fairview's MHV female bulkhead connector FMCN1370 datasheet specifications and outline drawing are shown in this PDF below. Our extensive offering of RF, microwave and millimeter wave connectors allows designers to configure and customize their signal connections however they like. From providing an I/O for a board design to creating a custom cable assembly configuration, Fairview Microwave has a connector solution to meet your needs. Fairview Microwave also has the expertise to build your custom cable assemblies for you and ship them same-day.

### Electrical Specifications

Description	Min	Typ	Max	Units
Frequency Range	DC		500	MHz
Operating Voltage (AC)			3,500	Vrms
DWV (AC)			5,000	Vrms
Insulation Resistance	5,000			MOhms

### Mechanical Specifications

<b>Size</b>	
Length	1.8 in [45.72 mm]
Width/Dia.	0.34 in [8.64 mm]
Height	0.38 in [9.65 mm]
Weight	0.031 lbs [14.06 g]

### Material Specifications

Description	Material	Plating
Contact	Beryllium Copper	Silver QQ-S-365
Insulation	PTFE	
Outer Conductor	Brass	Silver
Body	Brass	Nickel QQ-N-290
Lock Ring	Phosphor Bronze	Nickel
Washer	Phosphor Bronze	Nickel
O-Ring	Nitrile Rubber	



### Configuration:

- MHV Female Connector
- MIL-STD-348
- 50 Ohms
- Straight Body Geometry
- Solder Cup Interface Type
- Solder Attachment
- Bulkhead

### Features:

- Operating Frequency of 500 MHz Max.
- Hermetically Sealed
- Silver Plated Beryllium Copper Contact
- Contact plating according to QQ-S-365

### Applications:

- General Purpose Test
- Rack and Panel Mount Applications

Fairview Microwave  
301 Leora Ln., Suite 100  
Lewisville, TX 75056  
Tel: 1-800-715-4396 / (972) 649-6678  
Fax: (972) 649-6689  
[www.fairviewmicrowave.com](http://www.fairviewmicrowave.com)  
[sales@fairviewmicrowave.com](mailto:sales@fairviewmicrowave.com)

## Environmental Specifications

### Temperature

Operating Range -65 to +165 deg C

### Environmental Specification Notes:

This item shall withstand a pressure differential of one atmosphere with the leak rate not to exceed  $1 \times 10^{-5}$  cc/sec. of helium.

## Compliance Certifications (see [product page](#) for current document)

## Plotted and Other Data

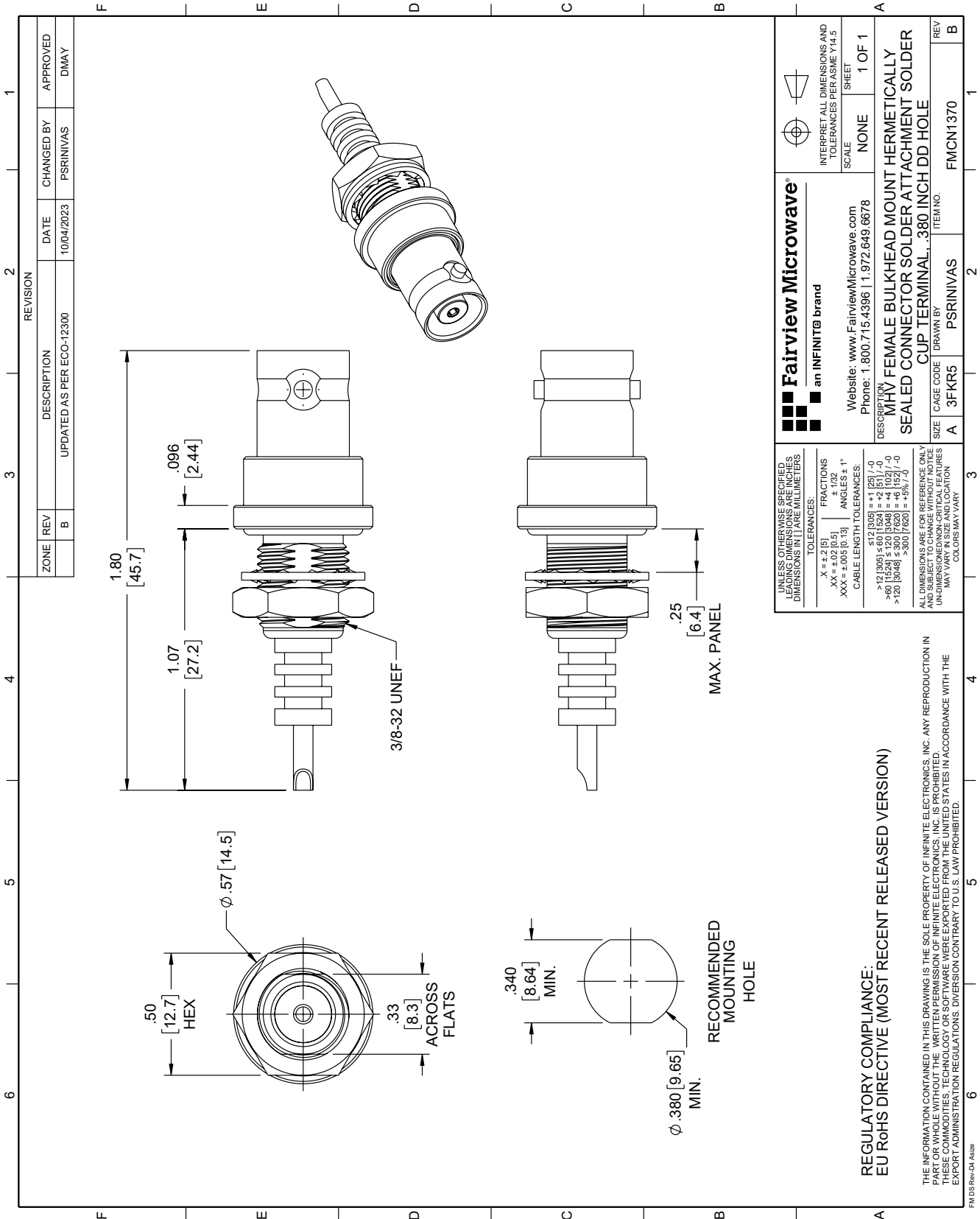
### Notes:

MHV Female (Jack) Bulkhead Hermetically Sealed Connector Solder Cup Terminal, .380 inch DD Hole, Solder from Fairview Microwave is in-stock and available to ship same-day. All of our RF/microwave products are available off-the-shelf from our ISO 9001:2008 certified facilities in Lewisville, Texas. Fairview Microwave is RF on-demand.

For additional information on this product, please click the following link: [MHV Female \(Jack\) Bulkhead Hermetically Sealed Connector Solder Cup Terminal, .380 inch DD Hole, Solder FMCN1370](#)

URL: <https://www.fairviewmicrowave.com/mhv-female-solder-cup-terminal-connector-fmcn1370-p.aspx>

The information contained in this document is accurate to the best of our knowledge and representative of the part described herein. It may be necessary to make modifications to the part and/or the documentation of the part, in order to implement improvements. Fairview Microwave reserves the right to make such changes as required. Unless otherwise stated, all specifications are nominal. Fairview Microwave does not make any representation or warranty regarding the suitability of the part described herein for any particular purpose, and Fairview Microwave does not assume any liability arising out of the use of any part or documentation.



**Fairview Microwave**  
an INFINIT<sup>®</sup> brand

Website: [www.FairviewMicrowave.com](http://www.FairviewMicrowave.com)  
Phone: 1.800.715.4396 | 1.972.649.6678

DESCRIPTION: MHV FEMALE BULKHEAD MOUNT HERMETICALLY SEALED CONNECTOR SOLDER ATTACHMENT SOLDER CUP TERMINAL, .380 INCH DD HOLE

SCALE: NONE  
SHEET: 1 OF 1

INTERPRET ALL DIMENSIONS AND TOLERANCES PER ASME Y14.5

SIZE: A  
CAGE CODE: 3FKR5  
DRAWN BY: PSRINIVAS  
ITEM NO.: FMCN1370  
REV: B

UNLESS OTHERWISE SPECIFIED, LEADING DIMENSIONS ARE IN INCHES DIMENSIONS IN [ ] ARE MILLIMETERS

TOLERANCES:  
X = ±.2 [5]  
.XX = ±.02 [0.5]  
.XXX = ±.005 [0.13]

FRACTIONS: ± 1/32  
ANGLES ± 1°

CABLE LENGTH TOLERANCES:  
≤ 12 [305] ± .01 [0.254]  
> 12 [305] ≤ 60 [1524] ± .02 [0.51]  
> 60 [1524] ≤ 300 [7620] ± .03 [0.762]  
> 300 [7620] ± .04 [1.016]

ALL DIMENSIONS ARE FOR REFERENCE ONLY AND SUBJECT TO CHANGE WITHOUT NOTICE UNLESS OTHERWISE SPECIFIED IN DRAWING. DIMENSIONS ON CRITICAL FEATURES MAY VARY. COLORS MAY VARY.