

RA MHV Male Connector Clamp/Solder  
Attachment for RG59BU, RG62, RG71 Cable



**FMCN1364**

**Configuration**

- MHV Male Connector
- MIL-STD-348A
- 50 Ohms
- Right Angle Body Geometry
- Connector Interface Types: RG59BU, RG62, RG71

**Features**

- Operating Frequency of 200 MHz Max.
- Good VSWR of 1.6:1
- Gold Plated Brass Contact
- 30 µin minimum contact plating

**Applications**

- General Purpose Test
- Custom Cable Assemblies

**Description**

RA MHV Male Standard Connector Clamp/Solder Attachment for RG59BU, RG62 and RG71 Cable, part number FMCN1364, from Fairview Microwave is in-stock and ships same day. This MHV male connector operates up to a maximum frequency of 200 MHz and offers good VSWR of 1.6:1. Its right angle body geometry facilitates connections in tight spaces.

Fairview's RA MHV male connector FMCN1364 datasheet specifications and outline drawing are shown in this PDF below. Our extensive offering of RF, microwave and millimeter wave connectors allows designers to configure and customize their signal connections however they like. From providing an I/O for a board design to creating a custom cable assembly configuration, Fairview Microwave has a connector solution to meet your needs. Fairview Microwave also has the expertise to build your custom cable assemblies for you and ship them same-day.

**Electrical Specifications**

Description	Minimum	Typical	Maximum	Units
Frequency Range	DC		200	MHz
VSWR			1.6:1	
Operating Voltage (AC)			1,600	Vrms
Impedance		50		Ohms

**Mechanical Specifications**

**Size**

Length	1.22 in [30.99 mm]
Width	0.57 in [14.48 mm]
Height	1.02 in [25.91 mm]
Weight	0.043 lbs [19.5 g]

RA MHV Male Connector Clamp/Solder  
Attachment for RG59BU, RG62, RG71 Cable

**FMCN1364**



**Material Specifications**

Description	Material	Plating
Contact	Brass	Gold 30 µin minimum
Insulation	PTFE	
Body	Brass	Nickel 100 µin minimum
Coupling Nut	Brass	Nickel 100 µin minimum
Gasket	Silicone	
Washer	Brass	Nickel
O-Ring	Silicone	

Mechanical Specification Notes:

When attaching the connector to the cable use a clamp torque value of 26 to 30 in-lbs [2.94 to 3.39 Nm]

**Environmental Specifications**

**Temperature**

Operating Range -65 to +165 deg C

**Compliance Certifications** (see [product page](#) for current document)

**Plotted and Other Data**

Notes:

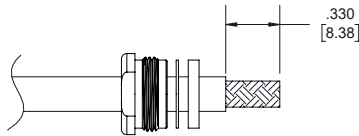
RA MHV Male Connector Clamp/Solder Attachment for RG59BU, RG62, RG71 Cable

**FMCN1364**

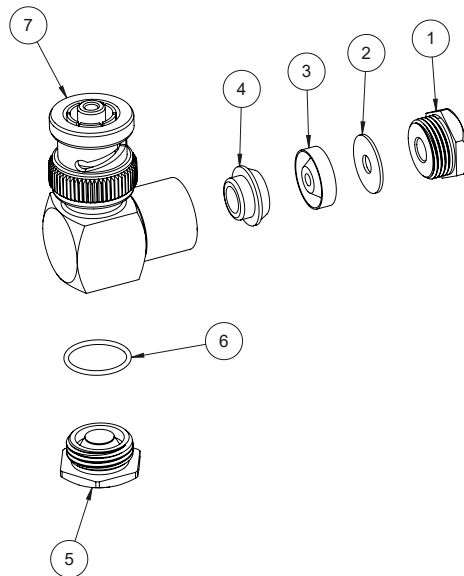
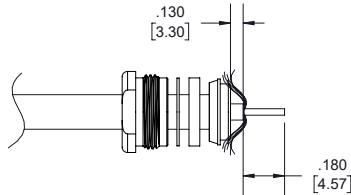


**Assembly Instruction**

1. SLIDE CLAMP NUT ①, THIN-WASHER ② & GASKET ③ OVER CABLE. STRIP CABLE AS SHOWN. DO NOT NICK BRAID WHILE CUTTING JACKET. TAPER END OF BRAID TO PERMIT ASSEMBLY OF CLAMP ④.



2. SLIDE BRAID CLAMP ④ OVER BRAID & SEAT AGAINST CABLE. FORM BRAID OVER CLAMP NUT. TRIM BRAID BACK TO SHOULDER. CUT DIELECTRIC & CENTER CONDUCTOR TO DIMENSION SHOWN. DO NOT NICK CENTER CONDUCTOR. TIN CENTER CONDUCTOR. SLIDE ASSEMBLY INTO BODY, SOLDER CENTER CONDUCTOR IN PLACE & TIGHTEN CLAMP NUT ①. SLIDE O-RING GASKET ⑥ OVER THE CAP ⑤ BEFORE SCREW DOWN INTO PLACE.



## RA MHV Male Connector Clamp/Solder Attachment for RG59BU, RG62, RG71 Cable



### FMCN1364

RA MHV Male Connector Clamp/Solder Attachment for RG59BU, RG62, RG71 Cable from Fairview Microwave is in-stock and available to ship same-day. All of our RF/microwave products are available off-the-shelf from our ISO 9001:2008 certified facilities in Lewisville, Texas. Fairview Microwave is RF on-demand.

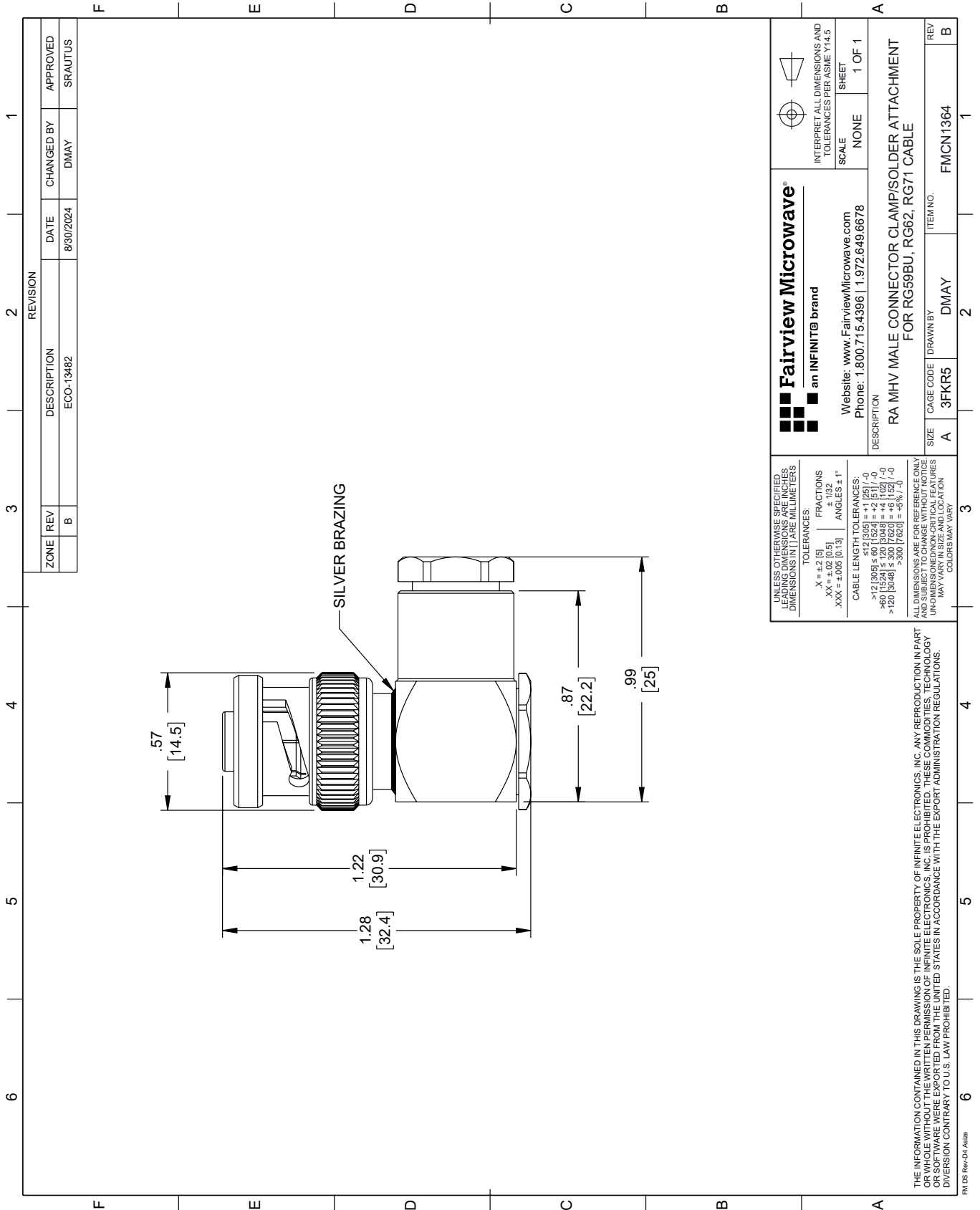
For additional information on this product, please click the following link: [RA MHV Male Connector Clamp/Solder Attachment for RG59BU, RG62, RG71 Cable FMCN1364](https://www.fairviewmicrowave.com/mhv-male-rg59bu-rg62-rg71-connector-fmcn1364-p.aspx)

URL: <https://www.fairviewmicrowave.com/mhv-male-rg59bu-rg62-rg71-connector-fmcn1364-p.aspx>

The information contained within this document is accurate to the best of our knowledge and representative of the part described herein. It may be necessary to make modifications to the part and/or the documentation of the part in order to implement improvements. Fairview Microwave reserves the right to make such changes as required. Unless otherwise stated, all specifications are nominal. Fairview Microwave does not make any representation or warranty regarding the suitability of the part described herein for any particular purpose, and Fairview Microwave does not assume liability arising out of the use of any part or document.

# FMCN1364 CAD Drawing

RA MHV Male Connector Clamp/Solder Attachment for RG59BU, RG62, RG71 Cable



REVISION		DATE	CHANGED BY	APPROVED	
ZONE	REV	DESCRIPTION	ECO-13482	DMAY	SRAUTUS
	B				

 <b>Fairview Microwave®</b> an INFINITE® brand		Website: <a href="http://www.FairviewMicrowave.com">www.FairviewMicrowave.com</a> Phone: 1.800.715.4396   1.972.649.6678	INTERPRET ALL DIMENSIONS AND TOLERANCES PER ASME Y14.5 SCALE: NONE SHEET: 1 OF 1
DESCRIPTION <b>RA MHV MALE CONNECTOR CLAMP/SOLDER ATTACHMENT FOR RG59BU, RG62, RG71 CABLE</b>		SIZE: A CAGE CODE: 3FKR5 DRAWN BY: DMAY	ITEM NO.: FMCN1364 REV: B

UNLESS OTHERWISE SPECIFIED, LEADING DIMENSIONS ARE IN INCHES AND DIMENSIONS IN [ ] ARE MILLIMETERS.

TOLERANCES:  
 .X = ±.2 (5) FRACTIONS ± 1/32  
 .XX = ±.02 (0.5) ± 1/32  
 .XXX = ±.005 (0.13) ANGLES ± 1°

CABLE LENGTH TOLERANCES:  
 ≤ 12 (305) ± .60 (15.24) = ±.2 (5) / -0  
 > 12 (305) ≤ 60 (1524) = ±.4 (10.2) / -0  
 > 60 (1524) ≤ 120 (3048) = ±.4 (10.2) / -0  
 > 120 (3048) ≤ 300 (7620) = ±.6 (15.2) / -0

ALL DIMENSIONS ARE FOR REFERENCE ONLY. UNLESS OTHERWISE SPECIFIED, DIMENSIONS ARE IN INCHES. UNLESS OTHERWISE SPECIFIED, DIMENSIONS IN [ ] ARE MILLIMETERS. DIMENSIONS MAY VARY IN SIZE AND LOCATION. COLORS MAY VARY.

THE INFORMATION CONTAINED IN THIS DRAWING IS THE SOLE PROPERTY OF INFINITE ELECTRONICS, INC. ANY REPRODUCTION IN PART OR WHOLE WITHOUT THE WRITTEN PERMISSION OF INFINITE ELECTRONICS, INC. IS PROHIBITED. THESE COMMODITIES, TECHNOLOGY OR SOFTWARE WERE EXPORTED FROM THE UNITED STATES IN ACCORDANCE WITH THE EXPORT ADMINISTRATION REGULATIONS. DIVISION CONTRARY TO U.S. LAW PROHIBITED.

PM DS Rev-D4 Alt2