

BNC Female Bulkhead Isolated Ground Connector Solder Cup Terminal Solder Attachment , .350 inch D Hole

BNC female bulkhead isolated ground connector with solder cup terminal (.350 inch D hole), part number FMCN1353, from Fairview Microwave is in-stock and ships same day. This BNC female connector operates up to a maximum frequency of 1,000 MHz and offers good VSWR of 1.3:1. Fairview's FMCN1353 bulkhead BNC connector enables designers to make external connections on product enclosures, and can be used in a variety of other rack mount and panel mount applications.

Fairview's BNC female bulkhead connector FMCN1353 datasheet specifications and outline drawing are shown in this PDF below. Our extensive offering of RF, microwave and millimeter wave connectors allows designers to configure and customize their signal connections however they like. From providing an I/O for a board design to creating a custom cable assembly configuration, Fairview Microwave has a connector solution to meet your needs. Fairview Microwave also has the expertise to build your custom cable assemblies for you and ship them same-day.

Electrical Specifications

Description	Min	Typ	Max	Units
Frequency Range	DC		1,000	MHz
VSWR			1.3:1	
Operating Voltage (AC)			500	Vrms

Mechanical Specifications

Size	
Length	1.187 in [30.15 mm]
Width/Dia.	0.5 in [12.70 mm]

Material Specifications

Description	Material	Plating
Contact	Brass	Gold 30 µin minimum
Insulation	PTFE	
Body	Brass	Nickel 100 µin minimum

Environmental Specifications

Temperature	
Operating Range	-40 to +60 deg C

Compliance Certifications (see [product page](#) for current document)

Plotted and Other Data

Notes:



Configuration:

- BNC Female Connector
- 50 Ohms
- Straight Body Geometry
- Solder Cup Interface Type
- Solder Attachment
- Bulkhead

Features:

- Operating Frequency of 1,000 MHz Max.
- Good VSWR of 1.3:1
- Isolated Ground
- Gold Plated Brass Contact
- 30 µin minimum contact plating

Applications:

- General Purpose Test
- Rack and Panel Mount Applications

Fairview Microwave
1130 Junction Dr. #100
Allen, TX 75013
Tel: 1-800-715-4396 / (972) 649-6678
Fax: (972) 649-6689
www.fairviewmicrowave.com
sales@fairviewmicrowave.com

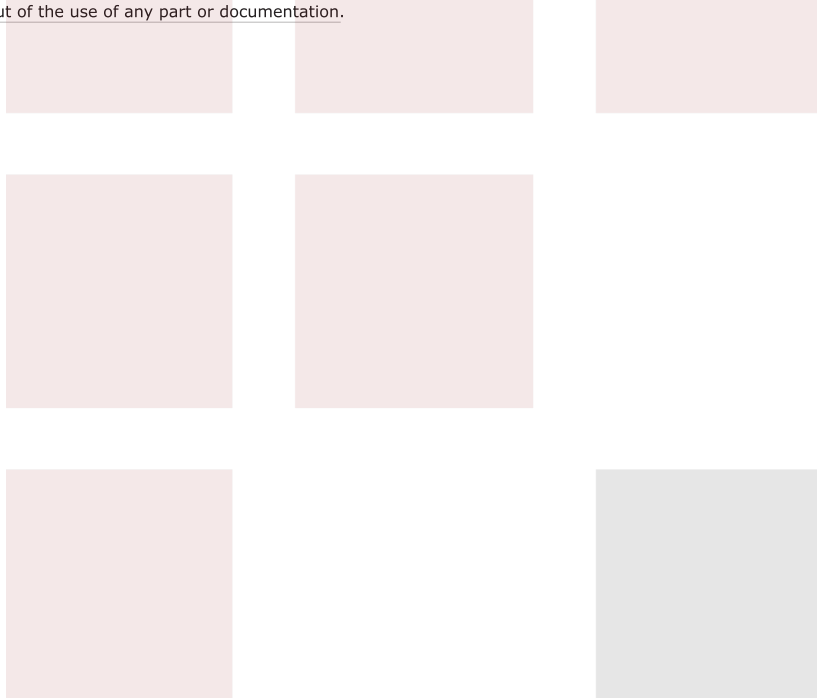
Assembly Instruction

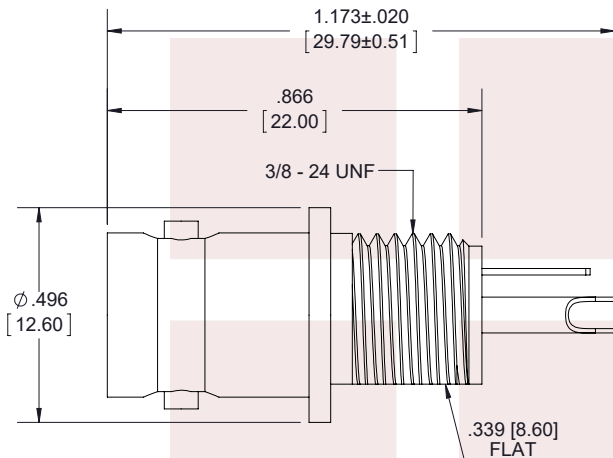
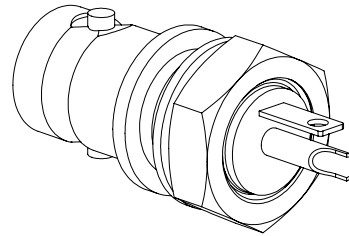
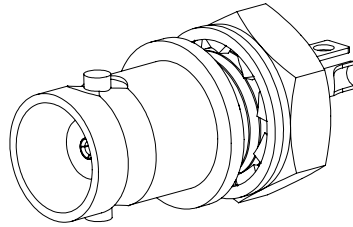
BNC Female Bulkhead Isolated Ground Connector Solder Cup Terminal Solder Attachment , .350 inch D Hole from Fairview Microwave is in-stock and available to ship same-day. All of our RF/microwave products are available off-the-shelf from our ISO 9001:2008 certified facilities in Allen, Texas. Fairview Microwave is RF on-demand.

For additional information on this product, please click the following link: [BNC Female Bulkhead Isolated Ground Connector Solder Cup Terminal Solder Attachment , .350 inch D Hole FMCN1353](#)

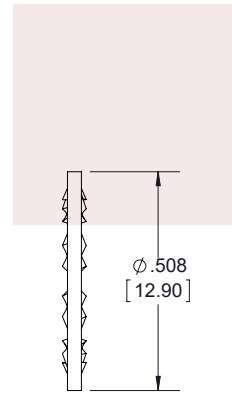
URL: <https://www.fairviewmicrowave.com/bnc-female-solder-cup-terminal-connector-fmcn1353-p.aspx>

The information contained in this document is accurate to the best of our knowledge and representative of the part described herein. It may be necessary to make modifications to the part and/or the documentation of the part, in order to implement improvements. Fairview Microwave reserves the right to make such changes as required. Unless otherwise stated, all specifications are nominal. Fairview Microwave does not make any representation or warranty regarding the suitability of the part described herein for any particular purpose, and Fairview Microwave does not assume any liability arising out of the use of any part or documentation.

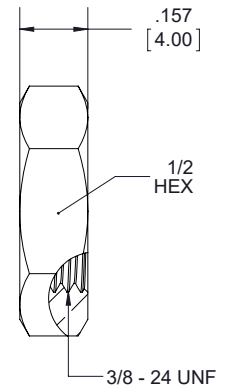




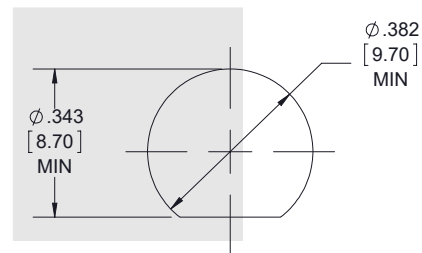
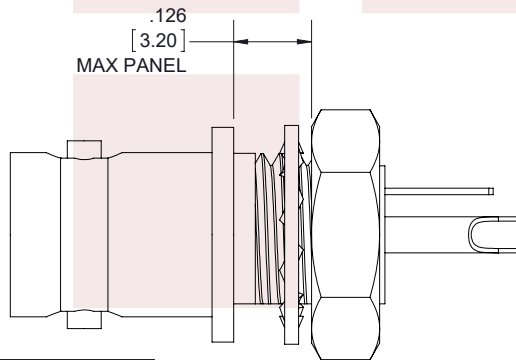
BODY



WASHER



NUT



MOUNTING HOLE

STANDARD TOLERANCES

- .X ±0.2
- .XX ±0.01
- .XXX ±0.005

*STANDARD TOLERANCES APPLY ONLY TO DIMENSIONS IN INCHES

FAIRVIEW MICROWAVE INC.

ALLEN, TX 75013 WWW.FAIRVIEWMICROWAVE.COM

- NOTES:
 1. UNLESS OTHERWISE SPECIFIED ALL DIMENSIONS ARE NOMINAL.
 2. ALL SPECIFICATIONS ARE SUBJECT TO CHANGE WITHOUT NOTICE AT ANY TIME.
 3. DIMENSIONS ARE IN INCHES [mm].

TITLE
 BNC Female Bulkhead Isolated Ground Connector
 Solder Cup Terminal Solder Attachment , .350 inch D
 Hole

DWG NO FMCN1353		CAGE CODE 3FKR5			
CAD FILE 100217	SHEET 1 OF 1	SCALE N/A	SIZE A	7361	