

## RA TNC Female Connector Solder Cup Terminal Solder Attachment 4 Hole Flange

RA TNC female 4 hole flange mount connector with solder cup terminal, part number FMCN1178, from Fairview Microwave is in-stock and ships same day. This TNC female connector operates up to a maximum frequency of 11 GHz and offers excellent VSWR of 1.25:1. Its right angle body geometry facilitates connections in tight spaces. Fairview's FMCN1178 4 hole flange TNC connector enables designers to make external connections on product enclosures, and can be used in a variety of other rack mount and panel mount applications.

Fairview's RA TNC female 4 hole flange connector FMCN1178 datasheet specifications and outline drawing are shown in this PDF below. Our extensive offering of RF, microwave and millimeter wave connectors allows designers to configure and customize their signal connections however they like. From providing an I/O for a board design to creating a custom cable assembly configuration, Fairview Microwave has a connector solution to meet your needs. Fairview Microwave also has the expertise to build your custom cable assemblies for you and ship them same-day.

### Electrical Specifications

Description	Min	Typ	Max	Units
Frequency Range	DC		11	GHz
VSWR			1.25:1	

### Mechanical Specifications

<b>Size</b>	
Length	0.65 in [16.51 mm]
Width/Dia.	0.75 in [19.05 mm]
Height	1.06 in [26.92 mm]
Weight	0.0326 lbs [14.79 g]

### Material Specifications

Description	Material	Plating
Contact	Beryllium Copper	Gold
Insulation	PTFE	
Outer Conductor	Brass	Nickel
Body	Brass	Nickel

### Environmental Specifications

<b>Temperature</b>	
Operating Range	-55 to +165 deg C

**Compliance Certifications** (see [product page](#) for current document)

### Plotted and Other Data

Notes:



### Configuration:

- TNC Female Connector
- 50 Ohms
- Right Angle Body Geometry
- Solder Cup Interface Type
- Solder Attachment
- 4 Hole Flange

### Features:

- Operating Frequency of 11 GHz Max.
- Excellent VSWR of 1.25:1
- Gold Plated Beryllium Copper Contact

### Applications:

- General Purpose Test
- Rack and Panel Mount Applications

Fairview Microwave  
301 Leora Ln., Suite 100  
Lewisville, TX 75056  
Tel: 1-800-715-4396 / (972) 649-6678  
Fax: (972) 649-6689  
[www.fairviewmicrowave.com](http://www.fairviewmicrowave.com)  
[sales@fairviewmicrowave.com](mailto:sales@fairviewmicrowave.com)

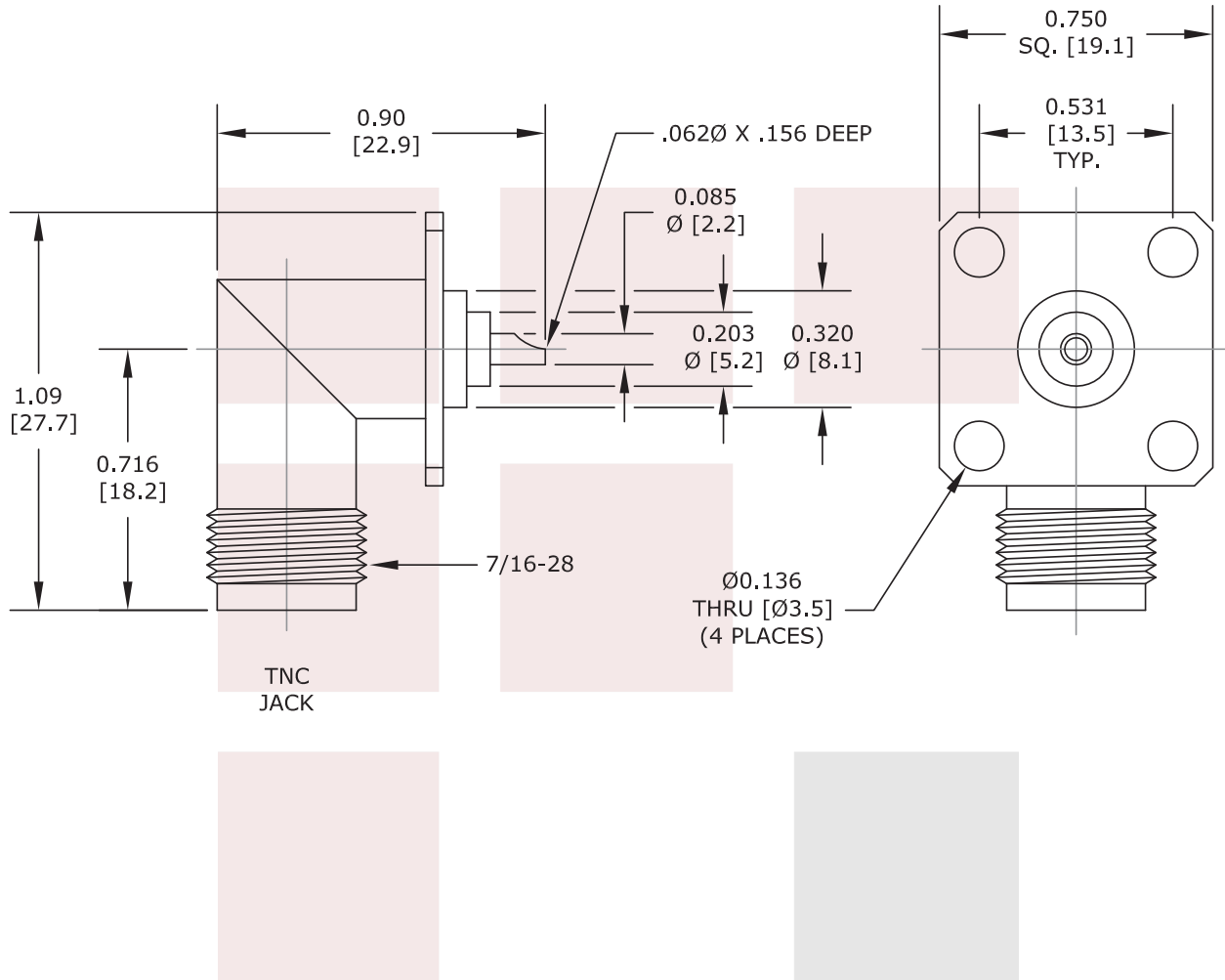
RA TNC Female Connector Solder Cup Terminal Solder Attachment 4 Hole Flange from Fairview Microwave is in-stock and available to ship same-day. All of our RF/microwave products are available off-the-shelf from our ISO 9001:2008 certified facilities in Lewisville, Texas. Fairview Microwave is RF on-demand.

For additional information on this product, please click the following link: [RA TNC Female Connector Solder Cup Terminal Solder Attachment 4 Hole Flange FMCN1178](#)

URL: <https://www.fairviewmicrowave.com/tnc-female-solder-cup-terminal-connector-fmcn1178-p.aspx>

The information contained in this document is accurate to the best of our knowledge and representative of the part described herein. It may be necessary to make modifications to the part and/or the documentation of the part, in order to implement improvements. Fairview Microwave reserves the right to make such changes as required. Unless otherwise stated, all specifications are nominal. Fairview Microwave does not make any representation or warranty regarding the suitability of the part described herein for any particular purpose, and Fairview Microwave does not assume any liability arising out of the use of any part or documentation.





STANDARD TOLERANCES	
.X	±0.2
.XX	±0.1
.XXX	±0.05

\*STANDARD TOLERANCES APPLY ONLY TO DIMENSIONS IN INCHES

<b>FAIRVIEW MICROWAVE INC.</b> ALLEN, TX 75013 WWW.FAIRVIEWMICROWAVE.COM		NOTES: 1. UNLESS OTHERWISE SPECIFIED ALL DIMENSIONS ARE NOMINAL. 2. ALL SPECIFICATIONS ARE SUBJECT TO CHANGE WITHOUT NOTICE AT ANY TIME. 3. DIMENSIONS ARE IN INCHES [mm].			
TITLE RA TNC Female Connector Solder Cup Terminal Solder Attachment 4 Hole Flange		DWG NO FMCN1178		CAGE CODE 3FKR5	
CAD FILE	062117	SHEET	SCALE	N/A	SIZE A 2233