

**MMBX Jack Snap-On PCB Connector  
 Attachment Thread-In With Female Center Contact**

MMBX jack snap-on PCB connector attachment thread-in cable FMCN1032 from Fairview Microwave is in-stock and ships same day. This MMBX jack connector operates up to a maximum frequency of 12.4 GHz and offers excellent VSWR of 1.08:1.

Fairviews's MMBX jack thread-in connector FMCN1032 datasheet specifications and outline drawing are shown in this PDF below. Our extensive offering of RF, microwave and millimeter wave connectors allows designers to configure and customize their signal connections however they like. From providing an I/O for a board design to creating a custom cable assembly configuration, Fairview Microwave has a connector solution to meet your needs. Fairview Microwave also has the expertise to build your custom cable connector assemblies for you and ship them same-day.

**Electrical Specifications**

Description	Min	Typ	Max	Units
Frequency Range	DC		12.4	GHz
VSWR			1.08:1	
Insertion Loss			0.42	dB
Operating Voltage (DC)			330	Vdc
DWV (DC)			500	Vdc
Insulation Resistance	1,000			MOhms

Electrical Specification Notes:  
 MMBX Jack has a female center contact

**Mechanical Specifications**

<b>Size</b>	
Length	0.4 in [10.16 mm]
Width/Dia.	0.24 in [6.10 mm]
Weight	0.00792 lbs [3.59 g]
Mating Cycles	500 Cycles

**Material Specifications**

Description	Material	Plating
Contact	Brass	Gold
Insulation	PTFE	
Outer Conductor	Brass	Gold
Body	Brass	Gold



**Configuration:**

- Snap-On MMBX Jack Connector
- 50 Ohms
- Straight Body Geometry
- Thread-In

**Features:**

- Operating Frequency of 12.4 GHz Max.
- Excellent VSWR of 1.08:1
- Gold Plated Brass Contact
- Snap-On connection method
- Small circuit footprint for high density applications
- Allows up to 4.5°/0.7mm Max mechanical misalignment

**Applications:**

- General Purpose Test
- PCB Applications
- Circuit board test points
- Blind mate interconnect applications
- Multi circuit board products
- Board to board applications

Fairview Microwave  
 1130 Junction Dr. #100  
 Allen, TX 75013  
 Tel: 1-800-715-4396 / (972) 649-6678  
 Fax: (972) 649-6689  
[www.fairviewmicrowave.com](http://www.fairviewmicrowave.com)  
[sales@fairviewmicrowave.com](mailto:sales@fairviewmicrowave.com)

## Environmental Specifications

### Temperature

Operating Range -55 to +155 deg C

**Compliance Certifications** (see [product page](#) for current document)

## Plotted and Other Data

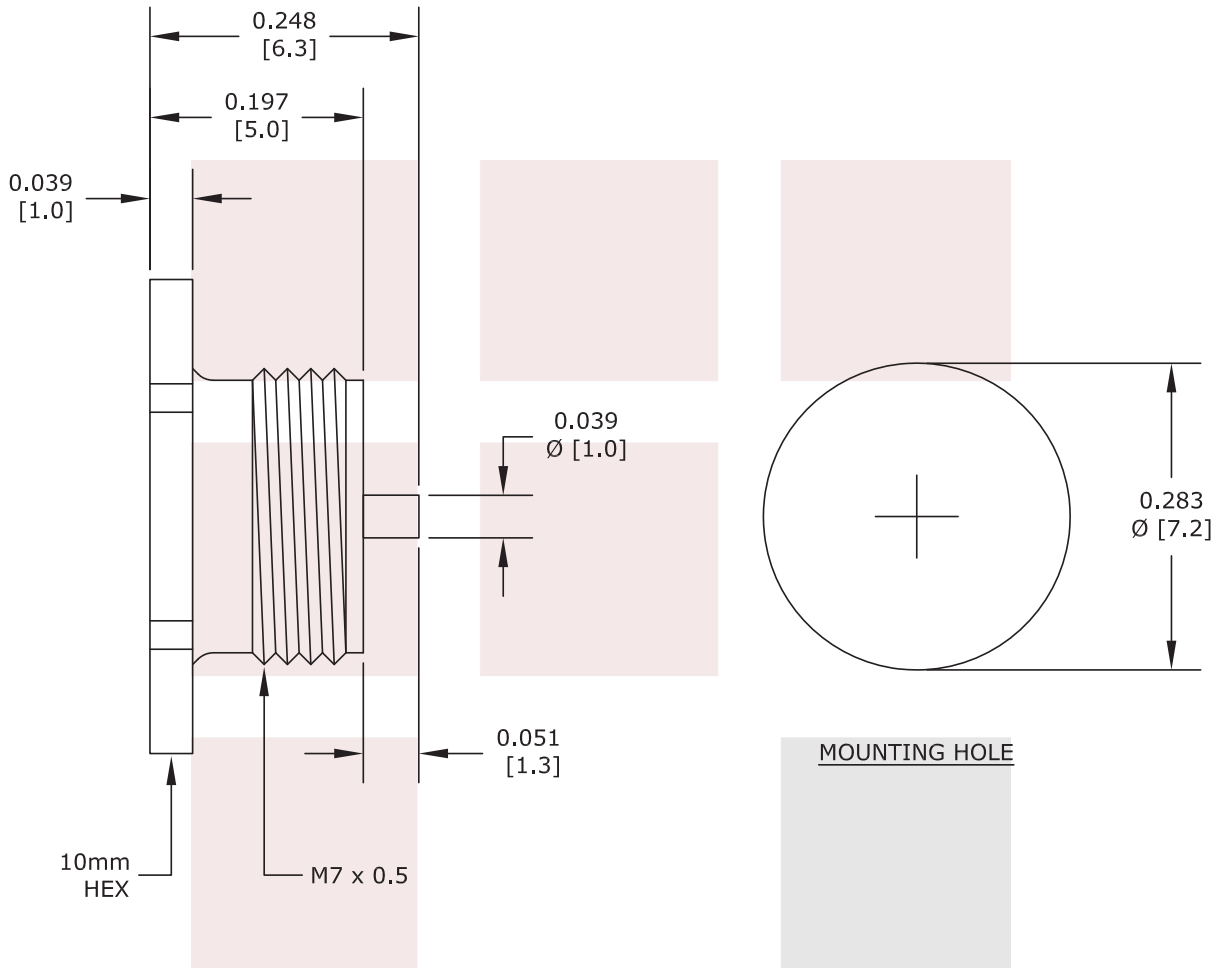
Notes:

MMBX Jack Snap-On PCB Connector Attachment Thread-In With Female Center Contact from Fairview Microwave is in-stock and available to ship same-day. All of our RF/microwave products are available off-the-shelf from our ISO 9001:2008 certified facilities in Allen, Texas. Fairview Microwave is RF on-demand.

For additional information on this product, please click the following link: [MMBX Jack Snap-On PCB Connector Attachment Thread-In With Female Center Contact FMCN1032](#)

URL: <https://www.fairviewmicrowave.com/mmbx-jack-snap-on-pcb-connector-fmcn1032-p.aspx>

The information contained in this document is accurate to the best of our knowledge and representative of the part described herein. It may be necessary to make modifications to the part and/or the documentation of the part, in order to implement improvements. Fairview Microwave reserves the right to make such changes as required. Unless otherwise stated, all specifications are nominal. Fairview Microwave does not make any representation or warranty regarding the suitability of the part described herein for any particular purpose, and Fairview Microwave does not assume any liability arising out of the use of any part or documentation.



STANDARD TOLERANCES	
.X	±0.2
.XX	±0.1
.XXX	±0.05

\*STANDARD TOLERANCES APPLY ONLY TO DIMENSIONS IN INCHES

<b>FAIRVIEW MICROWAVE INC.</b> ALLEN, TX 75013 WWW.FAIRVIEWMICROWAVE.COM		NOTES: 1. UNLESS OTHERWISE SPECIFIED ALL DIMENSIONS ARE NOMINAL. 2. ALL SPECIFICATIONS ARE SUBJECT TO CHANGE WITHOUT NOTICE AT ANY TIME. 3. DIMENSIONS ARE IN INCHES [mm].			
TITLE MMBX Jack Snap-On PCB Connector Attachment Thread-In With Female Center Contact		DWG NO FMCN1032		CAGE CODE 3FKR5	
CAD FILE	090116	SHEET	SCALE	N/A	SIZE A 2233