

**MMBX Jack Snap-On PCB Connector Surface Mount  
 Solder Attachment With Female Center Contact,  
 1 Reel Contains 750 pieces**

MMBX jack snap-on connector with solder attachment for surface mount PCB, part number FMCN1027TR750, from Fairview Microwave is in-stock and ships same day. This MMBX jack connector operates up to a maximum frequency of 12.4 GHz and offers excellent VSWR of 1.06:1.

Fairview's MMBX jack connector FMCN1027TR750 datasheet specifications and outline drawing are shown in this PDF below. Our extensive offering of RF, microwave and millimeter wave connectors allows designers to configure and customize their signal connections however they like. From providing an I/O for a board design to creating a custom cable assembly configuration, Fairview Microwave has a connector solution to meet your needs. Fairview Microwave also has the expertise to build your custom cable assemblies for you and ship them same-day.



**Configuration:**

- Snap-On MMBX Jack Connector
- 50 Ohms
- Straight Body Geometry
- Surface Mount Interface Type
- Solder Attachment

**Features:**

- Operating Frequency of 12.4 GHz Max.
- Excellent VSWR of 1.06:1
- Gold Plated Brass Contact
- Snap-On connection method
- Small circuit footprint for high density applications
- Packaging available for pick and place circuit board manufacturing
- Allows up to 4.5°/0.7mm Max mechanical misalignment

**Applications:**

- General Purpose Test
- PCB Applications
- Circuit board test points
- Blind mate interconnect applications
- Multi circuit board products
- Board to board applications

**Electrical Specifications**

Description	Min	Typ	Max	Units
Frequency Range	DC		12.4	GHz
VSWR			1.06:1	
Insertion Loss			0.42	dB
Operating Voltage (DC)			330	Vdc
DWV (DC)			1,000	Vdc
Insulation Resistance	1,000			MOhms

Electrical Specification Notes:  
 MMBX Jack has a female center contact

**Mechanical Specifications**

<b>Size</b>	
Length	0.24 in [6.1 mm]
Width/Dia.	0.24 in [6.10 mm]
Height	0.21 in [5.33 mm]
Mating Cycles	100 Cycles

**Material Specifications**

Description	Material	Plating
Contact	Brass	Gold
Insulation	PTFE	
Outer Conductor	Brass	Gold
Body	Brass	Gold

Fairview Microwave  
 1130 Junction Dr. #100  
 Allen, TX 75013  
 Tel: 1-800-715-4396 / (972) 649-6678  
 Fax: (972) 649-6689  
[www.fairviewmicrowave.com](http://www.fairviewmicrowave.com)  
[sales@fairviewmicrowave.com](mailto:sales@fairviewmicrowave.com)

## Environmental Specifications

### Temperature

Operating Range -55 to +155 deg C

**Compliance Certifications** (see [product page](#) for current document)

## Plotted and Other Data

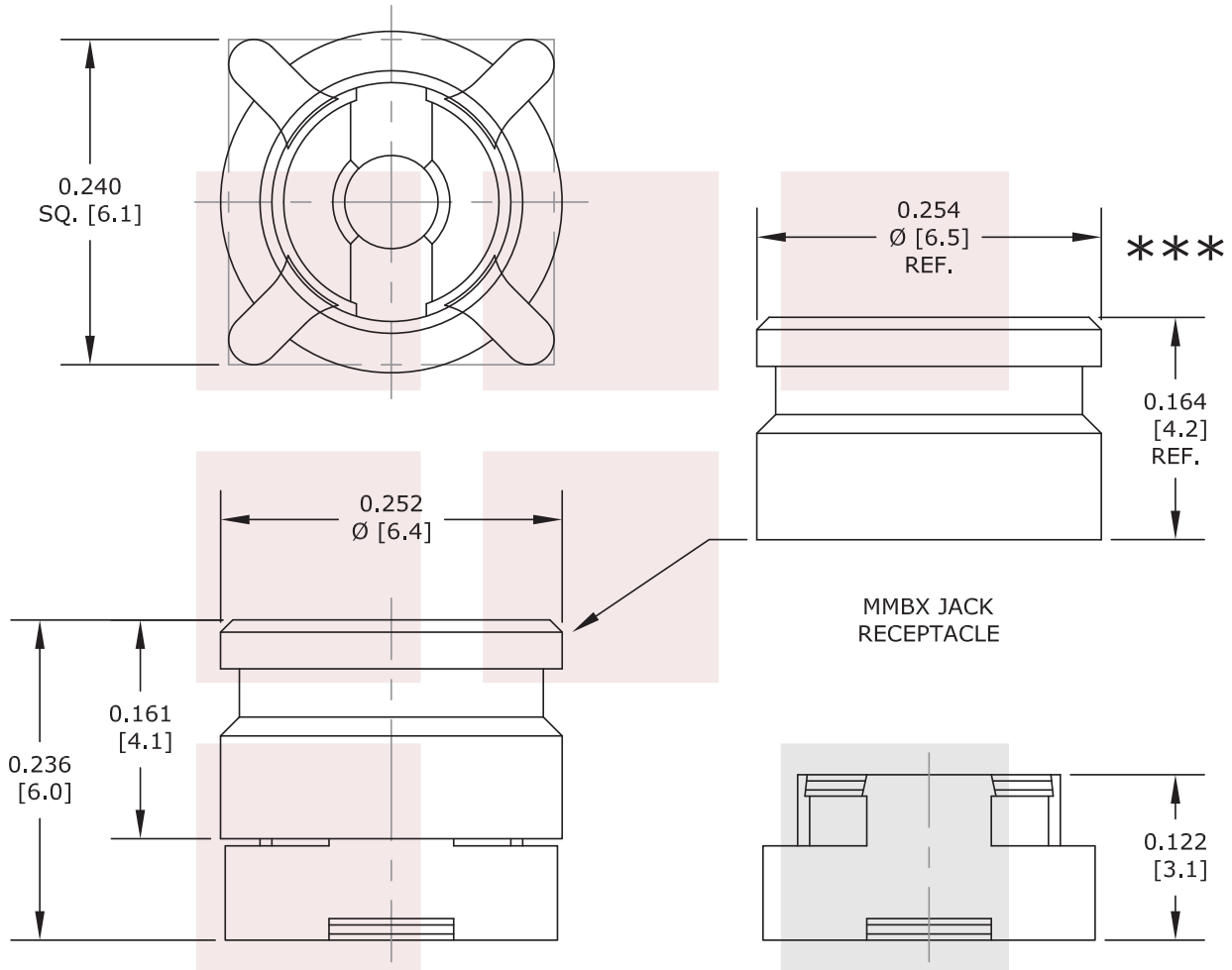
Notes:

MMBX Jack Snap-On PCB Connector Surface Mount Solder Attachment With Female Center Contact, 1 Reel Contains 750 pieces from Fairview Microwave is in-stock and available to ship same-day. All of our RF/microwave products are available off-the-shelf from our ISO 9001:2008 certified facilities in Allen, Texas. Fairview Microwave is RF on-demand.

For additional information on this product, please click the following link: [MMBX Jack Snap-On PCB Connector Surface Mount Solder Attachment With Female Center Contact, 1 Reel Contains 750 pieces FMCN1027TR750](#)

URL: <https://www.fairviewmicrowave.com/mmbx-jack-snap-on-surface-mount-pcb-connector-fmcn1027tr750-p.aspx>

The information contained in this document is accurate to the best of our knowledge and representative of the part described herein. It may be necessary to make modifications to the part and/or the documentation of the part, in order to implement improvements. Fairview Microwave reserves the right to make such changes as required. Unless otherwise stated, all specifications are nominal. Fairview Microwave does not make any representation or warranty regarding the suitability of the part described herein for any particular purpose, and Fairview Microwave does not assume any liability arising out of the use of any part or documentation.

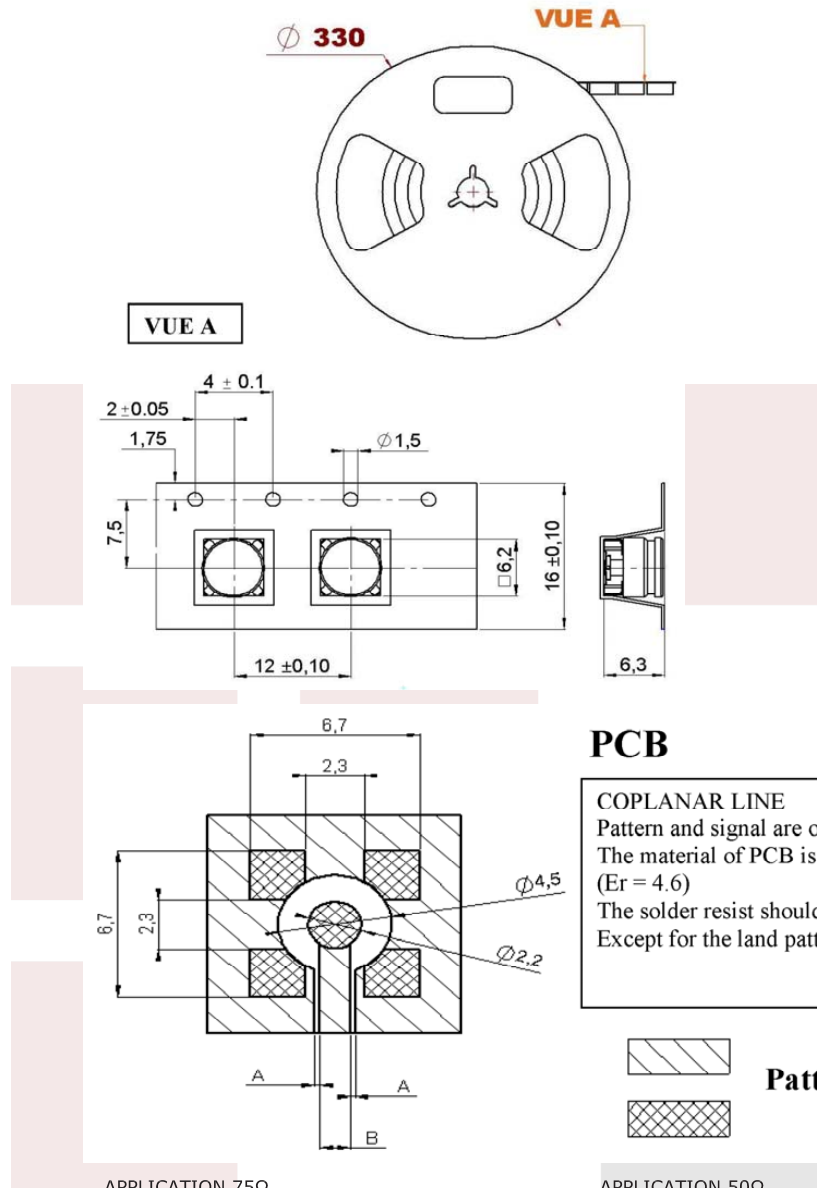


STANDARD TOLERANCES	
.X	±0.2
.XX	±0.1
.XXX	±0.05

\*STANDARD TOLERANCES APPLY ONLY TO DIMENSIONS IN INCHES

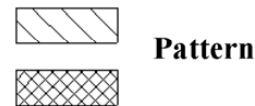
\*\*\* CAP FOR MANUFACTURING PROCESS

<b>FAIRVIEW MICROWAVE INC.</b> ALLEN, TX 75013 WWW.FAIRVIEWMICROWAVE.COM		NOTES: 1. UNLESS OTHERWISE SPECIFIED ALL DIMENSIONS ARE NOMINAL. 2. ALL SPECIFICATIONS ARE SUBJECT TO CHANGE WITHOUT NOTICE AT ANY TIME. 3. DIMENSIONS ARE IN INCHES [mm].			
TITLE MMBX Jack Snap-On PCB Connector Surface Mount Solder Attachment With Female Center Contact, 1 Reel Contains 750 pieces		DWG NO FMCN1027TR750		CAGE CODE 3FKR5	
CAD FILE	101416	SHEET	SCALE	N/A	SIZE A 2233



**PCB**

**COPLANAR LINE**  
Pattern and signal are on the same side  
The material of PCB is epoxy resin (FR4).  
(Er = 4.6)  
The solder resist should be printed  
Except for the land pattern on the PCB



APPLICATION 75Ω  
WITH B = 0.55 mm  
0.0216 Inches

APPLICATION 50Ω  
WITH B = 1.2 mm  
0.0472 Inches

STANDARD TOLERANCES	
.X	±0.2
.XX	±0.1
.XXX	±0.05

\*STANDARD TOLERANCES APPLY ONLY TO DIMENSIONS IN INCHES

PCB Thickness [mm] Inches	Coplanar Ligne A [mm] Inches
0.0314 [0.8]	0.0137 [0.350]
0.0393 [1.0]	0.0141 [0.360]
0.0472 [1.2]	0.0143 [0.365]
0.0629 [1.6]	0.0147 [0.375]

PCB Thickness [mm] Inches	Coplanar Ligne A [mm] Inches
0.0314 [0.8]	0.0074 [0.190]
0.0393 [1.0]	0.0078 [0.200]
0.0472 [1.2]	0.0080 [0.205]
0.0629 [1.6]	0.0082 [0.210]

**FAIRVIEW MICROWAVE INC.**  
ALLEN, TX 75013 WWW.FAIRVIEWMICROWAVE.COM

NOTES:  
1. UNLESS OTHERWISE SPECIFIED ALL DIMENSIONS ARE NOMINAL.  
2. ALL SPECIFICATIONS ARE SUBJECT TO CHANGE WITHOUT NOTICE AT ANY TIME.  
3. DIMENSIONS ARE IN INCHES [mm].

TITLE  
MMBX Jack Snap-On PCB Connector Surface Mount  
Solder Attachment With Female Center Contact, 1  
Reel Contains 750 pieces

DWG NO	FMCN1027TR750	CAGE CODE	3FKR5		
CAD FILE	101416	SHEET	SCALE	N/A	SIZE A 2233