

**MMBX Plug Slide-On PCB Connector Surface Mount  
 Solder/Solder Attachment With Male Center Contact**

MMBX plug slide-on with connector solder attachment for Surface Mount, part number FMCN1024TR1, from Fairview Microwave is in-stock and ships same day. This MMBX plug connector operates up to a maximum frequency of 12.4 GHz and offers excellent VSWR of 1.06:1.

Fairview's MMBX plug connector FMCN1024TR1 datasheet specifications and outline drawing are shown in this PDF below. Our extensive offering of RF, microwave and millimeter wave connectors allows designers to configure and customize their signal connections however they like. From providing an I/O for a board design to creating a custom cable assembly configuration, Fairview Microwave has a connector solution to meet your needs. Fairview Microwave also has the expertise to build your custom cable assemblies for you and ship them same-day.

**Electrical Specifications**

Description	Min	Typ	Max	Units
Frequency Range	DC		12.4	GHz
VSWR			1.06:1	
Insertion Loss			0.12	dB
Operating Voltage (DC)			300	Vdc
DWV (DC)			1,000	Vdc
Insulation Resistance	1,000			MOhms

Electrical Specification Notes:  
 MMBX Plug has a male center contact

**Mechanical Specifications**

<b>Size</b>	
Length	0.24 in [6.1 mm]
Width/Dia.	0.24 in [6.10 mm]
Height	0.217 in [5.51 mm]
Mating Cycles	500 Cycles

**Material Specifications**

Description	Material	Plating
Contact	Beryllium Copper	Gold
Insulation	PTFE	
Outer Conductor	Brass	Gold
Body	Brass	Gold



**Configuration:**

- Slide-On MMBX Plug Connector
- 50 Ohms
- Straight Body Geometry
- Surface Mount Interface Type
- Solder/Solder Attachment

**Features:**

- Operating Frequency of 12.4 GHz Max.
- Excellent VSWR of 1.06:1
- Gold Plated Beryllium Copper Contact
- Blind Mate Connection
- Small Circuit footprint for high density applications
- Packaging available for pick and place circuit board manufacturing
- Allows up to 4.5°/0.7mm Max mechanical misalignment

**Applications:**

- General Purpose Test
- PCB Applications
- Circuit board test point
- PCB applications
- Low cost blind mate interconnect
- Board to board applications requiring multiple coaxial connections

Fairview Microwave  
 1130 Junction Dr. #100  
 Allen, TX 75013  
 Tel: 1-800-715-4396 / (972) 649-6678  
 Fax: (972) 649-6689  
[www.fairviewmicrowave.com](http://www.fairviewmicrowave.com)  
[sales@fairviewmicrowave.com](mailto:sales@fairviewmicrowave.com)

**Environmental Specifications**

**Temperature**

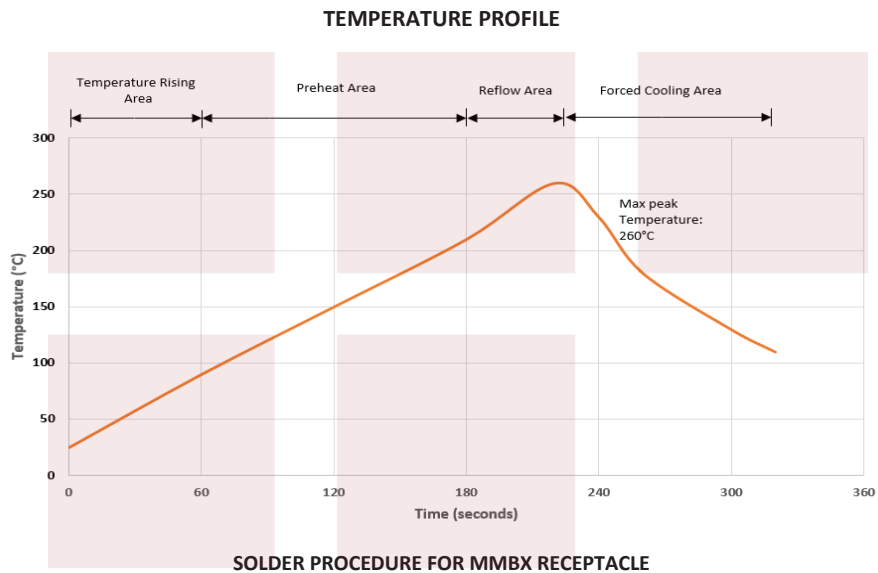
Operating Range -55 to +155 deg C

**Compliance Certifications** (see [product page](#) for current document)

**Plotted and Other Data**

Notes:

**Typical Performance Data**



- 1) Deposit solder paste 'SnAg4Cu0.5' on mounting zone by screen printing application.  
 We recommend a low residue flux.  
 We advise a thickness of 150µm.
- 2) Placement of the receptacle on the mounting zone with an automatic machine of 'pick and place' type.  
 A video camera is recommended for positioning of the component.  
 Adhesive agents must not be used on the receptacle.
- 3) This process of soldering has been tested with convection oven. Below please find, the typical profile to use.
- 4) Verification of solder joints and position of the component by visual inspection.

Parameter	Value	Unit
Temperature rising area	1 - 4	°C/sec
Max Peak Temperature	260	°C
Max dwell time @260°C	10	sec
Min dwell time @235°C	20	sec
Max dwell time @235°C	60	sec
Temperature drop in cooling area	-1 to -4	°C/sec
Max dwell time above 100°C	420	sec

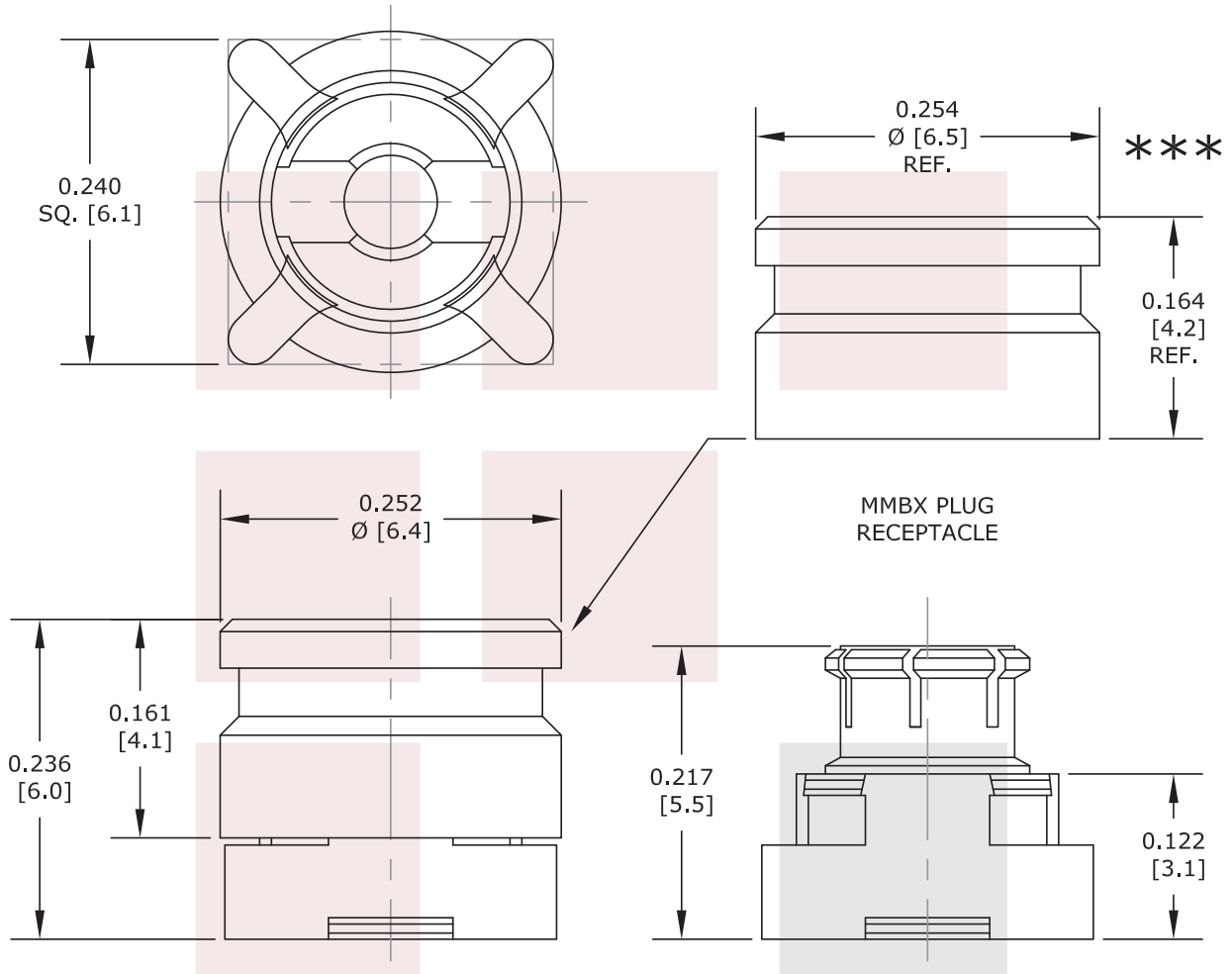
MMBX Plug Slide-On PCB Connector Surface Mount Solder/Solder Attachment With Male Center Contact from Fairview Microwave is in-stock and available to ship same-day. All of our RF/microwave products are available off-the-shelf from our ISO 9001:2008 certified facilities in Allen, Texas. Fairview Microwave is RF on-demand.

For additional information on this product, please click the following link: [MMBX Plug Slide-On PCB Connector Surface Mount Solder/Solder Attachment With Male Center Contact FMCN1024TR1](#)

URL: <https://www.fairviewmicrowave.com/mmbx-plug-slide-on-surface-mount-pcb-connector-fmcn1024tr1-p.aspx>

The information contained in this document is accurate to the best of our knowledge and representative of the part described herein. It may be necessary to make modifications to the part and/or the documentation of the part, in order to implement improvements. Fairview Microwave reserves the right to make such changes as required. Unless otherwise stated, all specifications are nominal. Fairview Microwave does not make any representation or warranty regarding the suitability of the part described herein for any particular purpose, and Fairview Microwave does not assume any liability arising out of the use of any part or documentation.



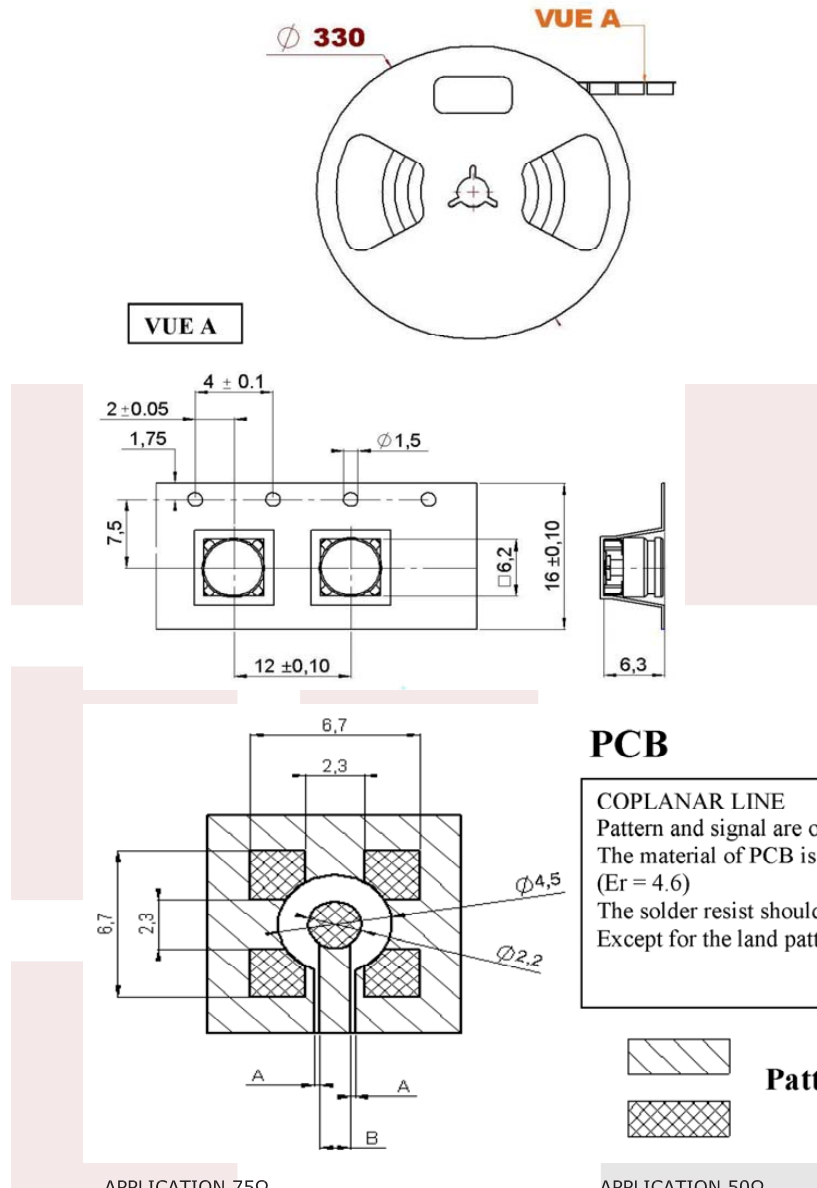


STANDARD TOLERANCES	
.X	±0.2
.XX	±0.1
.XXX	±0.05

\*STANDARD TOLERANCES APPLY ONLY TO DIMENSIONS IN INCHES

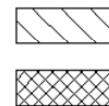
\*\*\* CAP FOR MANUFACTURING PROCESS

<b>FAIRVIEW MICROWAVE INC.</b> ALLEN, TX 75013 WWW.FAIRVIEWMICROWAVE.COM		NOTES: 1. UNLESS OTHERWISE SPECIFIED ALL DIMENSIONS ARE NOMINAL. 2. ALL SPECIFICATIONS ARE SUBJECT TO CHANGE WITHOUT NOTICE AT ANY TIME. 3. DIMENSIONS ARE IN INCHES [mm].			
TITLE MMBX Plug Slide-On PCB Connector Surface Mount Solder/Solder Attachment With Male Center Contact		DWG NO FMCN1024TR1		CAGE CODE 3FKR5	
CAD FILE	101416	SHEET	SCALE	N/A	SIZE A 2233



**PCB**

**COPLANAR LINE**  
Pattern and signal are on the same side  
The material of PCB is epoxy resin (FR4).  
(Er = 4.6)  
The solder resist should be printed  
Except for the land pattern on the PCB



**Pattern**

APPLICATION 75Ω  
WITH B = 0.55 mm  
0.0216 Inches

APPLICATION 50Ω  
WITH B = 1.2 mm  
0.0472 Inches

STANDARD TOLERANCES	
.X	±0.2
.XX	±0.1
.XXX	±0.05

\*STANDARD TOLERANCES APPLY ONLY TO DIMENSIONS IN INCHES

PCB Thickness [mm] Inches	Coplanar Ligne A [mm] Inches
0.0314 [0.8]	0.0137 [0.350]
0.0393 [1.0]	0.0141 [0.360]
0.0472 [1.2]	0.0143 [0.365]
0.0629 [1.6]	0.0147 [0.375]

PCB Thickness [mm] Inches	Coplanar Ligne A [mm] Inches
0.0314 [0.8]	0.0074 [0.190]
0.0393 [1.0]	0.0078 [0.200]
0.0472 [1.2]	0.0080 [0.205]
0.0629 [1.6]	0.0082 [0.210]

**FAIRVIEW MICROWAVE INC.**  
ALLEN, TX 75013 WWW.FAIRVIEWMICROWAVE.COM

NOTES:  
1. UNLESS OTHERWISE SPECIFIED ALL DIMENSIONS ARE NOMINAL.  
2. ALL SPECIFICATIONS ARE SUBJECT TO CHANGE WITHOUT NOTICE AT ANY TIME.  
3. DIMENSIONS ARE IN INCHES [mm].

TITLE  
MMBX Plug Slide-On PCB Connector Surface Mount  
Solder/Solder Attachment With Male Center Contact

DWG NO FMCN1024TR1 CAGE CODE 3FKR5

CAD FILE 101416 SHEET SCALE N/A SIZE A 2233