

78 Ohm TRB 3-Lug Bulkhead Front Mount Jack
1553 Connector Solder/Solder for TRB 3-Slot Plug



FMCN10-06593OEM

Configuration

- TRB 3-Lug Jack Connector
- MIL-STD-1553
- 78 Ohms
- Straight Body Geometry
- Connector Interface Types: TRB JACK
- Bulkhead

Features

- Operating Frequency of 500 MHz Max.
- Gold 30 micro inches Plated Beryllium Copper Contact
- Contact plating according to ASTM-B-488
- Twinax Connectivity
- Bayonet coupling
- Font Mount

Applications

- General Purpose Test
- Rack and Panel Mount Applications
- Custom Cable Assemblies
- Robust Design
- Ease of use
- Use in high shock and vibration environment

Description

78 Ohm TRB 3-Lug Jack Bulkhead Standard Bulkhead Connector Solder/Solder Attachment for TRB JACK Cable, part number FMCN10-06593OEM, from Fairview Microwave is in-stock and ships same day. This TRB 3-Lug jack connector operates up to a maximum frequency of 500 MHz. Fairview's FMCN10-06593OEM bulkhead TRB 3-Lug connector enables designers to make external connections on product enclosures, and can be used in a variety of other rack mount and panel mount applications. Bulkhead TRB Jack Feedthru Connectors are used to connect TRB Plug connectors through a panel. They are available in Isolated and Non-Isolated versions. .

Fairview's 78 ohm TRB 3-Lug jack bulkhead connector FMCN10-06593OEM datasheet specifications and outline drawing are shown in this PDF below. Our extensive offering of RF, microwave and millimeter wave connectors allows designers to configure and customize their signal connections however they like. From providing an I/O for a board design to creating a custom cable assembly configuration, Fairview Microwave has a connector solution to meet your needs. Fairview Microwave also has the expertise to build your custom cable assemblies for you and ship them same-day.

Electrical Specifications

Description	Minimum	Typical	Maximum	Units
Frequency Range	DC		500	MHz
Insertion Loss		0.1		dB
Impedance		78		Ohms

Mechanical Specifications

Size

- Length 0.96 in [24.38 mm]
- Width 0.56 in [14.22 mm]
- Height 0.56 in [14.22 mm]
- Weight 0.026 lbs [11.79 g]

78 Ohm TRB 3-Lug Bulkhead Front Mount Jack
1553 Connector Solder/Solder for TRB 3-Slot Plug



FMCN10-06593OEM

Material Specifications

Description	Material	Plating
Contact	Beryllium Copper	Gold 30 micro inches ASTM-B-488
Insulation	Teflon	
Outer Conductor	Phosphor Bronze	ASTM-B-488
Body	Brass	Nickel ASTM-B-733
Gasket	Rubber	
Crimp Sleeve	Brass	Nickel

Environmental Specifications

Temperature

Operating Range -55 to +200 deg C

Compliance Certifications (see [product page](#) for current document)

Plotted and Other Data

Notes:

78 Ohm TRB 3-Lug Bulkhead Front Mount Jack 1553 Connector Solder/Solder for TRB 3-Slot Plug from Fairview Microwave is in-stock and available to ship same-day. All of our RF/microwave products are available off-the-shelf from our ISO 9001:2008 certified facilities in Lewisville, Texas. Fairview Microwave is RF on-demand.

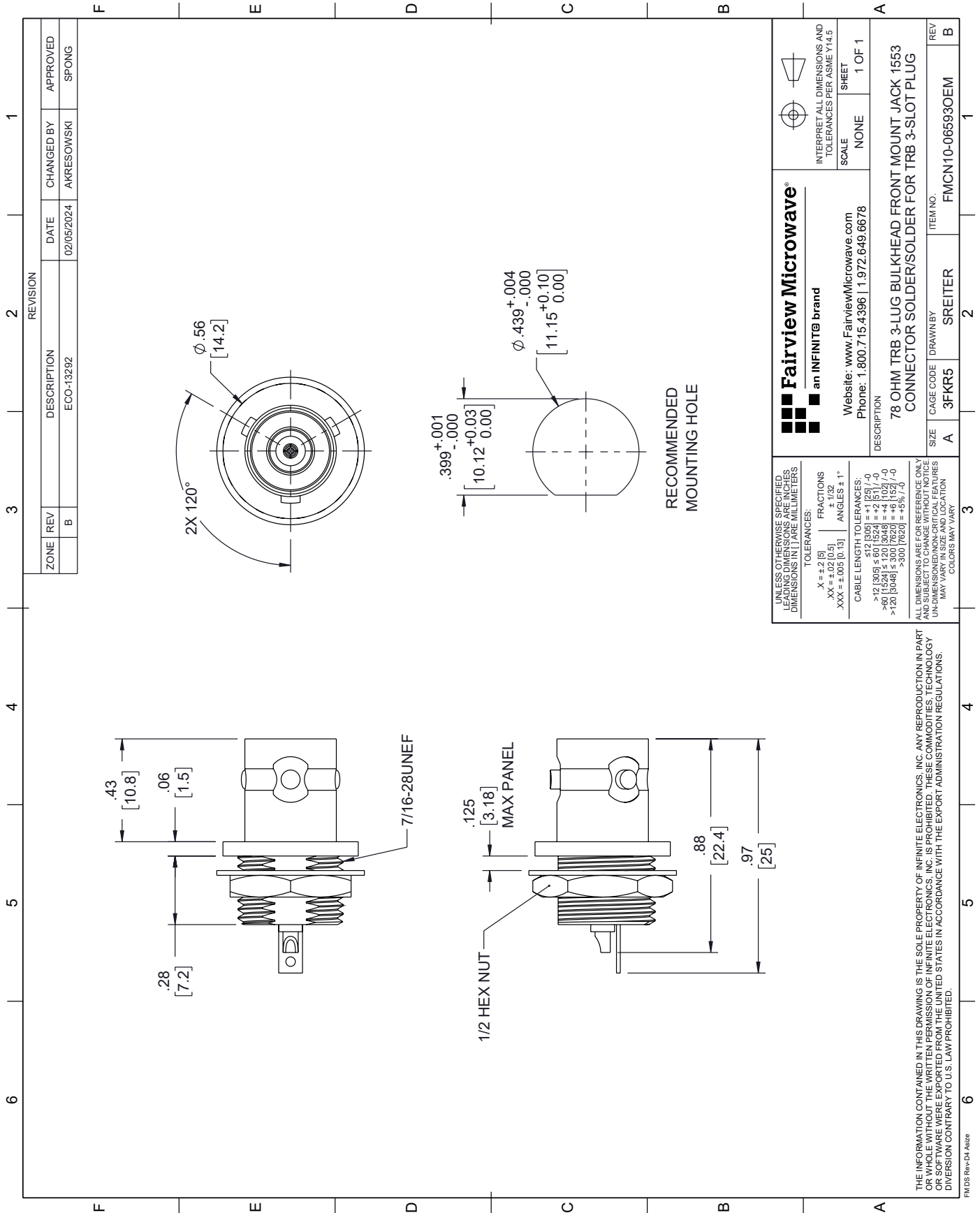
For additional information on this product, please click the following link: [78 Ohm TRB 3-Lug Bulkhead Front Mount Jack 1553 Connector Solder/Solder for TRB 3-Slot Plug FMCN10-06593OEM](#)

URL: <https://www.fairviewmicrowave.com/trb-3lug-jack-trb-jack-connector-fmcn10-06593oem-p.aspx>

The information contained within this document is accurate to the best of our knowledge and representative of the part described herein. It may be necessary to make modifications to the part and/or the documentation of the part in order to implement improvements. Fairview Microwave reserves the right to make such changes as required. Unless otherwise stated, all specifications are nominal. Fairview Microwave does not make any representation or warranty regarding the suitability of the part described herein for any particular purpose, and Fairview Microwave does not assume liability arising out of the use of any part or document.

FMCN10-06593OEM CAD Drawing

78 Ohm TRB 3-Lug Bulkhead Front Mount Jack 1553 Connector Solder/Solder for TRB 3-Slot Plug



Fairview Microwave an INFINITI® brand Website: www.FairviewMicrowave.com Phone: 1.800.715.4396 1.972.649.6678		INTERPRET ALL DIMENSIONS AND TOLERANCES PER ASME Y14.5 SCALE: NONE SHEET: 1 OF 1	
UNLESS OTHERWISE SPECIFIED LEADING DIMENSIONS ARE IN INCHES DIMENSIONS IN [] ARE MILLIMETERS TOLERANCES: .X = ±.2 [5] FRACTIONS ± 1/32 .XX = ±.02 [0.5] ANGLES ± 1° .XXX = ±.005 [0.13]		CABLE LENGTH TOLERANCES: >12 [305] ≤ 60 [1524] = +1 [25] / -0 >60 [1524] ≤ 120 [3048] = +4 [102] / -0 >120 [3048] ≤ 300 [7620] = +5 [127] / -0 >300 [7620] = +5 [127] / -0 ALL DIMENSIONS ARE FOR REFERENCE ONLY DIMENSIONS OF PARTS MAY VARY UN-DIMENSIONED NON-CRITICAL FEATURES MAY VARY IN SIZE AND LOCATION COLORS MAY VARY	
DESCRIPTION: 78 OHM TRB 3-LUG BULKHEAD FRONT MOUNT JACK 1553 CONNECTOR SOLDER/SOLDER FOR TRB 3-SLOT PLUG		ITEM NO.: FMCN10-06593OEM	
ZONE REV B	DESCRIPTION ECO-13292	DATE 02/05/2024	CHANGED BY AKRESOWSKI
REVISION		APPROVED SPONG	1

THE INFORMATION CONTAINED IN THIS DRAWING IS THE SOLE PROPERTY OF INFINITE ELECTRONICS, INC. ANY REPRODUCTION IN PART OR WHOLE WITHOUT THE WRITTEN PERMISSION OF INFINITE ELECTRONICS, INC. IS PROHIBITED. THESE COMMODITIES, TECHNOLOGY OR SOFTWARE WERE EXPORTED FROM THE UNITED STATES IN ACCORDANCE WITH THE EXPORT ADMINISTRATION REGULATIONS. DIVERSION CONTRARY TO U.S. LAW PROHIBITED.

FM DS Rev-D4 A82P