

## 50 Ohm TRB 3-Slot Plug 1553 Connector Clamp/Solder Attachment for TRC-50-1



### FMCN10-06030-370

#### Configuration

- TRB 3-Slot Plug Connector
- MIL-STD-1553
- 50 Ohms
- Straight Body Geometry
- Connector Interface Types: TRC-50-1

#### Features

- Operating Frequency of 500 MHz Max.
- Gold 30 micro inches Plated Beryllium Copper Contact
- Contact plating according to ASTM-B-488
- Twinax Connectivity
- Three lug bayonet coupling

#### Applications

- General Purpose Test
- Custom Cable Assemblies
- Robust Design
- Ease of use
- Use in high shock and vibration environment

#### Description

TRB 3-Slot Plug Standard Connector Clamp/Solder Attachment for TRC-50-1 Cable, part number FMCN10-06030-370, from Fairview Microwave is in-stock and ships same day. This TRB 3-Slot plug connector operates up to a maximum frequency of 500 MHz. These twinaxial cable plugs with TRB interface are the most popular cable plugs used in wide cable assembly applications to be used with Bus Couplers, avionics control boxes, Bus Relays, etc. This TRB plug has a bayonet coupling design with a center contact and an intermediate cylindrical contact. The bayonet type can withstand severe shocks and vibrations.

Fairview's TRB 3-Slot plug connector FMCN10-06030-370 datasheet specifications and outline drawing are shown in this PDF below. Our extensive offering of RF, microwave and millimeter wave connectors allows designers to configure and customize their signal connections however they like. From providing an I/O for a board design to creating a custom cable assembly configuration, Fairview Microwave has a connector solution to meet your needs. Fairview Microwave also has the expertise to build your custom cable assemblies for you and ship them same-day.

#### Electrical Specifications

Description	Minimum	Typical	Maximum	Units
Frequency Range	DC		500	MHz
Insertion Loss		0.1		dB
Impedance		50		Ohms

#### Mechanical Specifications

##### Size

Length	1.21 in [30.73 mm]
Width	0.57 in [14.48 mm]
Height	0.57 in [14.48 mm]
Weight	0.2 lbs [90.72 g]

50 Ohm TRB 3-Slot Plug 1553 Connector  
Clamp/Solder Attachment for TRC-50-1



**FMCN10-06030-370**

**Material Specifications**

Description	Material	Plating
Contact	Beryllium Copper	Gold 30 micro inches ASTM-B-488
Insulation	Teflon	
Outer Conductor	Phosphor Bronze	ASTM-B-488
Body	Brass	Nickel ASTM-B-733
Gasket	Rubber	
Crimp Sleeve	Brass	Nickel

**Environmental Specifications**

**Temperature**

Operating Range -55 to +200 deg C

**Compliance Certifications** (see [product page](#) for current document)

**Plotted and Other Data**

Notes:

50 Ohm TRB 3-Slot Plug 1553 Connector Clamp/Solder Attachment for TRC-50-1 from Fairview Microwave is in-stock and available to ship same-day. All of our RF/microwave products are available off-the-shelf from our ISO 9001:2008 certified facilities in Lewisville, Texas. Fairview Microwave is RF on-demand.

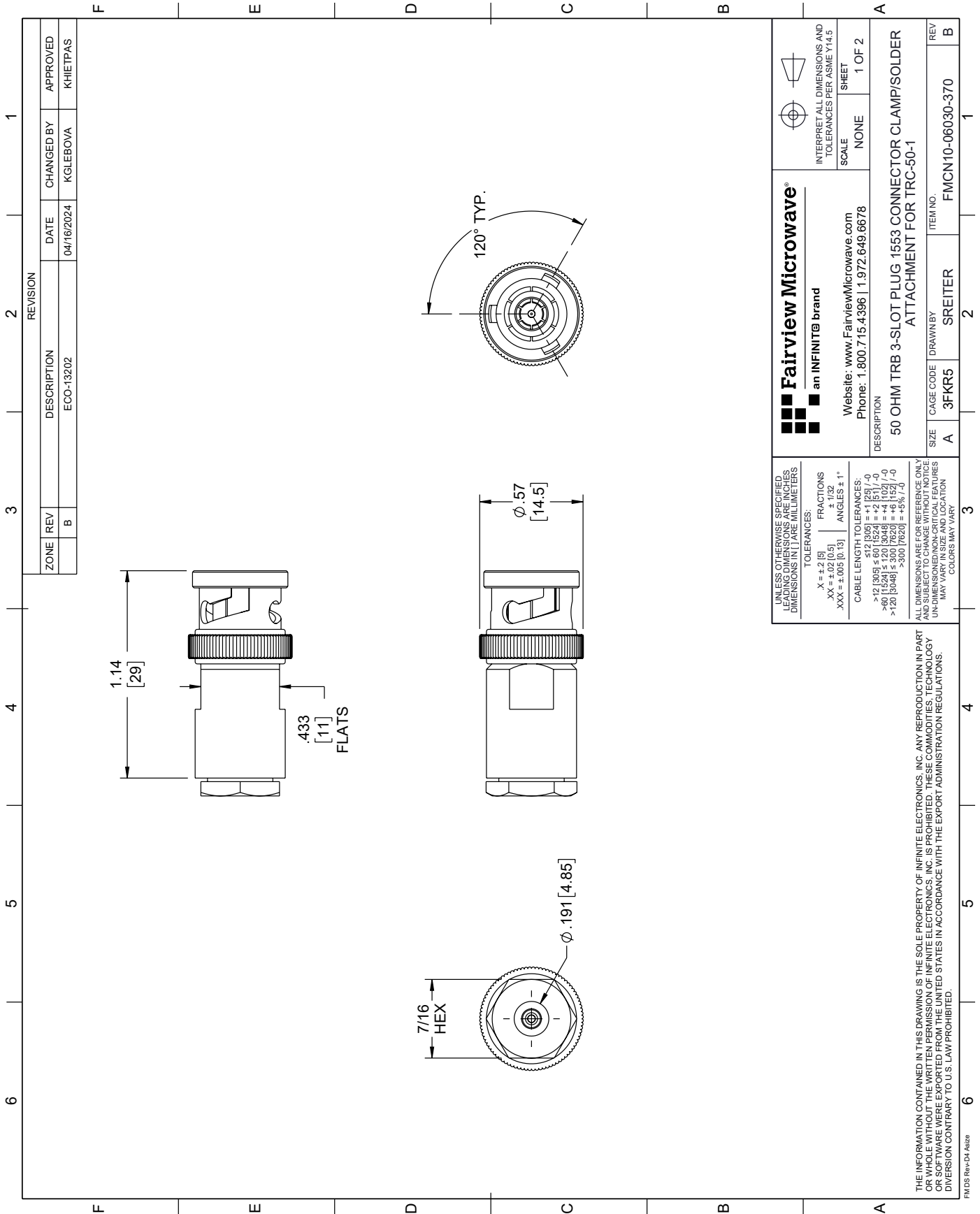
For additional information on this product, please click the following link: [50 Ohm TRB 3-Slot Plug 1553 Connector Clamp/Solder Attachment for TRC-50-1 FMCN10-06030-370](#)

URL: <https://www.fairviewmicrowave.com/trb-3slot-plug-trc-50-1-connector-fmcn10-06030-370-p.aspx>

The information contained within this document is accurate to the best of our knowledge and representative of the part described herein. It may be necessary to make modifications to the part and/or the documentation of the part in order to implement improvements. Fairview Microwave reserves the right to make such changes as required. Unless otherwise stated, all specifications are nominal. Fairview Microwave does not make any representation or warranty regarding the suitability of the part described herein for any particular purpose, and Fairview Microwave does not assume liability arising out of the use of any part or document.

# FMCN10-06030-370 CAD Drawing

50 Ohm TRB 3-Slot Plug 1553 Connector Clamp/Solder Attachment for TRC-50-1



<b>Fairview Microwave</b> an INFINIT <sup>®</sup> brand Website: <a href="http://www.FairviewMicrowave.com">www.FairviewMicrowave.com</a> Phone: 1.800.715.4396   1.972.649.6678		INTERPRET ALL DIMENSIONS AND TOLERANCES PER ASME Y14.5 SCALE: NONE SHEET: 1 OF 2
DESCRIPTION: 50 OHM TRB 3-SLOT PLUG 1553 CONNECTOR CLAMP/SOLDER ATTACHMENT FOR TRC-50-1		
UNLESS OTHERWISE SPECIFIED LEADING DIMENSIONS ARE INCHES DIMENSIONS IN PAREMILLIMETERS TOLERANCES: .X = ±.02 [0.5] .XX = ±.01 [0.25] .XXX = ±.005 [0.13] FRACTIONS ± 1/32 ANGLES ± 1° CABLE LENGTH TOLERANCES: >12 [305] ≤ 60 [1524] = +.1 [25] / -0 >60 [1524] ≤ 120 [3048] = +.4 [102] / -0 >120 [3048] ≤ 300 [7620] = +.8 [203] / -0	ALL DIMENSIONS ARE FOR REFERENCE ONLY UNLESS OTHERWISE SPECIFIED. DIMENSIONS ON CRITICAL FEATURES MAY VARY IN SIZE AND LOCATION. COLORS MAY VARY.	REV B DATE 04/16/2024 CHANGED BY KGLEBOVA APPROVED KHETPAS
ZONE REV B DESCRIPTION ECO-13202 DATE 04/16/2024 CHANGED BY KGLEBOVA APPROVED KHETPAS	SIZE A CAGE CODE 3FKR5 DRAWN BY SREITER ITEM NO. FMCN10-06030-370	REV B SHEET 1 OF 2