

75 Ohm TRB 3-Slot Plug 1553 Connector Clamp/ Solder Attachment for TRC-50-2, TRC-75-2, Belden 9222

75 Ohm TRB 3-Slot Plug Standard Connector Clamp/Solder Attachment for TRC-50-2, TRC-75-2 and Belden 9222 Cable, part number FMCN10-06030-310, from Fairview Microwave is in-stock and ships same day. This TRB 3-Slot plug connector operates up to a maximum frequency of 500 MHz. These twinaxial cable plugs with TRB interface are the most popular cable plugs used in wide cable assembly applications to be used with Bus Couplers, avionics control boxes, Bus Relays, etc. This TRB plug has a bayonet coupling design with a center contact and an intermediate cylindrical contact. The bayonet type can withstand severe shocks and vibrations.

Fairview's 75 ohm TRB 3-Slot plug connector FMCN10-06030-310 datasheet specifications and outline drawing are shown in this PDF below. Our extensive offering of RF, microwave and millimeter wave connectors allows designers to configure and customize their signal connections however they like. From providing an I/O for a board design to creating a custom cable assembly configuration, Fairview Microwave has a connector solution to meet your needs. Fairview Microwave also has the expertise to build your custom cable assemblies for you and ship them same-day.

Electrical Specifications

Description	Min	Typ	Max	Units
Frequency Range	DC		500	MHz
Insertion Loss		0.1		dB

Mechanical Specifications

Size	
Length	1.21 in [30.73 mm]
Width/Dia.	0.57 in [14.48 mm]
Height	0.57 in [14.48 mm]
Weight	0.2 lbs [90.72 g]

Material Specifications

Description	Material	Plating
Contact	Beryllium Copper	Gold 30 micro inches ASTM-B-488
Insulation	Teflon	
Outer Conductor	Phosphor Bronze	ASTM-B-488
Body	Brass	Nickel ASTM-B-733
Gasket	Rubber	
Crimp Sleeve	Brass	Nickel



Configuration:

- TRB 3-Slot Plug Connector
- MIL-STD-1553
- 75 Ohms
- Straight Body Geometry
- TRC-50-2, TRC-75-2, Belden 9222 Interface Type
- Clamp/Solder Attachment

Features:

- Operating Frequency of 500 MHz Max.
- Gold 30 micro inches Plated Beryllium Copper Contact
- Contact plating according to ASTM-B-488
- Twinax Connectivity
- Three lug bayonet coupling

Applications:

- General Purpose Test
- Custom Cable Assemblies
- Robust Design
- Ease of use
- Use in high shock and vibration environment

Fairview Microwave
 301 Leora Ln., Suite 100
 Lewisville, TX 75056
 Tel: 1-800-715-4396 / (972) 649-6678
 Fax: (972) 649-6689
www.fairviewmicrowave.com
sales@fairviewmicrowave.com

Environmental Specifications

Temperature

Operating Range -55 to +200 deg C

Compliance Certifications (see [product page](#) for current document)

Plotted and Other Data

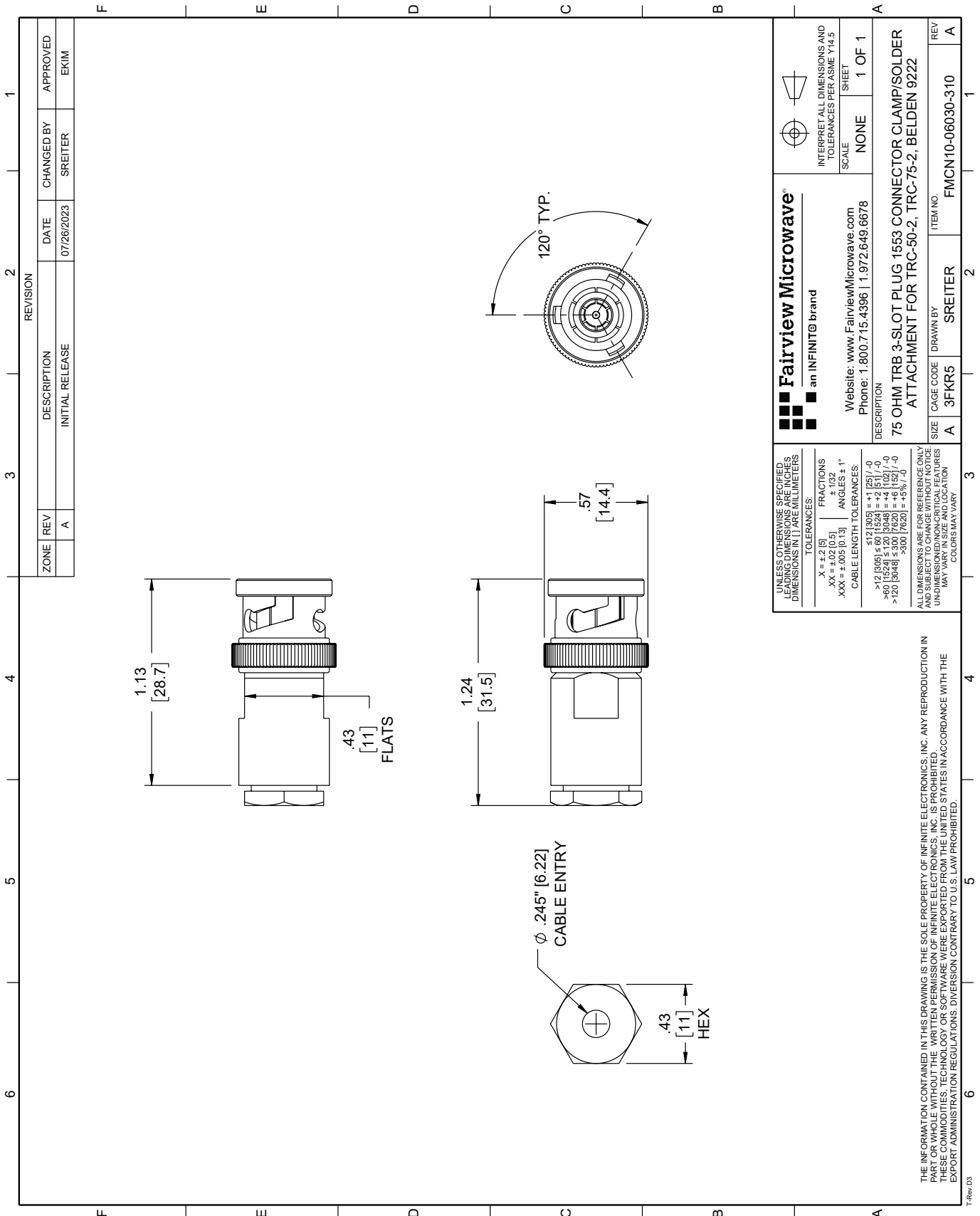
Notes:

75 Ohm TRB 3-Slot Plug 1553 Connector Clamp/Solder Attachment for TRC-50-2, TRC-75-2, Belden 9222 from Fairview Microwave is in-stock and available to ship same-day. All of our RF/microwave products are available off-the-shelf from our ISO 9001:2008 certified facilities in Lewisville, Texas. Fairview Microwave is RF on-demand.

For additional information on this product, please click the following link: [75 Ohm TRB 3-Slot Plug 1553 Connector Clamp/Solder Attachment for TRC-50-2, TRC-75-2, Belden 9222 FMCN10-06030-310](#)

URL: <https://www.fairviewmicrowave.com/trb-3slot-plug-trc-50-2-trc-75-2-belden-9222-connector-fmcn10-06030-310-p.aspx>

The information contained in this document is accurate to the best of our knowledge and representative of the part described herein. It may be necessary to make modifications to the part and/or the documentation of the part, in order to implement improvements. Fairview Microwave reserves the right to make such changes as required. Unless otherwise stated, all specifications are nominal. Fairview Microwave does not make any representation or warranty regarding the suitability of the part described herein for any particular purpose, and Fairview Microwave does not assume any liability arising out of the use of any part or documentation.



ZONE		REVISION		APPROVED	
REV	DESCRIPTION	DATE	CHANGED BY	DATE	APPROVED
A	INITIAL RELEASE	07/26/2023	SREITER		EKIM

<p>Fairview Microwave an INFINIT[®] brand</p> <p>Website: www.FairviewMicrowave.com Phone: 1.800.715.4396 1.972.649.6678</p>		<p>INTERPRET ALL DIMENSIONS AND TOLERANCES PER ASME Y14.5</p> <p>SCALE: NONE</p> <p>SHEET: 1 OF 1</p>
<p>DESCRIPTION: 75 OHM TRB 3-SLOT PLUG 1553 CONNECTOR CLAMP/SOLDER ATTACHMENT FOR TRC-50-2, TRC-75-2, BELDEN 9222</p>		
SIZE: A	CAGE CODE: 3FKR5	ITEM NO.: FMCN10-06030-310
DRAWN BY: SREITER	REV: A	

UNLESS OTHERWISE SPECIFIED, LEADING DIMENSIONS ARE IN INCHES. DIMENSIONS IN [] ARE MILLIMETERS.

TOLERANCES:
 .X = ±.2 [5]
 .XX = ±.02 [0.5]
 .XXX = ±.005 [0.13]

FRACTIONS: ± 1/32
 ANGLES: ± 1°

CABLE LENGTH TOLERANCES:
 ≤12 [305] = ±.1 [25] / -0
 ≤60 [1524] = ±.2 [51] / -0
 ≤120 [3048] = ±.3 [76.2] / -0
 ≤180 [4572] = ±.4 [101.6] / -0
 >120 [3048] = ±.300 [76.20] = +5% / -0

ALL DIMENSIONS ARE FOR REFERENCE ONLY AND SUBJECT TO CHANGE WITHOUT NOTICE. UNDIMENSIONED/CRITICAL FEATURES MAY VARY IN SIZE AND LOCATION. COLORS MAY VARY.

THE INFORMATION CONTAINED IN THIS DRAWING IS THE SOLE PROPERTY OF INFINITE ELECTRONICS, INC. ANY REPRODUCTION IN PART OR WHOLE WITHOUT THE WRITTEN PERMISSION OF INFINITE ELECTRONICS, INC. IS PROHIBITED. THESE COMMODITIES, TECHNOLOGY OR SOFTWARE WERE EXPORTED FROM THE UNITED STATES IN ACCORDANCE WITH THE EXPORT ADMINISTRATION REGULATIONS. DIVERSION CONTRARY TO U.S. LAW PROHIBITED.