

## Low Loss 4.3-10 Male to SMA Male Weatherproof Cable LMR-240 Coax with Times Microwave Components



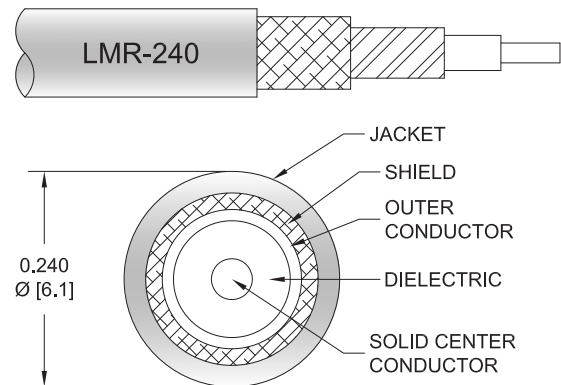
### FMCA100299/WP

#### Configuration

- Connector 1: 4.3-10 Male
- Connector 2: SMA Male
- Cable Type: LMR-240
- Coax Flex Type: Flexible

#### Features

- Max Frequency 6 GHz
- Shielding Effectivity > 90 dB
- 84% Phase Velocity
- Double Shielded
- PE Jacket
- Silicone Connector Boot
- IP68 Rated



#### Applications

- General Purpose
- Laboratory Use

#### Description

The Fairview Microwave FMCA100299/WP is a weatherproof low loss cable assembly that comes with 4.3-10 male connection with weatherproof boot on one end and SMA male with weatherproof boot on the other. Fairview Microwave's RF coaxial cable assembly products are designed for typical use, production, laboratory test and measurement, defense/military, aerial antenna towers, etc. The low loss cable has a 50 Ohm impedance and is specifically ready for quicker shipment than most in the industry can provide.

This weatherproof low loss RF cable assembly operates at a maximum frequency of 6 GHz. Our RF cable assembly has a PE jacket with 0.240 inches diameter. The 4.3-10 male to SMA male cable assembly FMCA100299/WP is built with LMR-240 coax, which has a flexible design. This RF cable assembly with 0.5 inches diameter has copper as cable's inner conducting material and PE (F) dielectric type. The weatherproof boot low loss cable is reusable and can withstand elements including extreme temperature. Additional dimensions, specifications, and CAD drawings for this FMCA100299/WP low loss RF cable are available on our downloadable PDF datasheet.

Fairview Microwave stocks a wide selection of weatherproof low loss cable assemblies that ship the same business day as ordered from our warehouse. Make your online purchase right now to take advantage of our same-day shipping. For further information on similar products, our expert technical support and knowledgeable sales team can help you get the ideal 4.3-10 male to SMA male cable assembly as per your requirements.

#### Electrical Specifications

Description	Minimum	Typical	Maximum	Units
Frequency Range	DC		6	GHz
VSWR			1.4:1	
Velocity of Propagation		84		%
RF Shielding	90			dB
Capacitance		24.2 [79.4]		pF/ft [pF/m]
Inductance		0.06 [0.2]		uH/ft [uH/m]

Low Loss 4.3-10 Male to SMA Male Weatherproof Cable  
LMR-240 Coax with Times Microwave Components



**FMCA100299/WP**

**Electrical Specifications**

Description	Minimum	Typical	Maximum	Units
DC Resistance Inner Conductor		3.2 [10.5]		Ohms/1000ft [Ohms/Km]
DC Resistance Outer Conductor		3.89 [12.76]		Ohms/1000ft [Ohms/Km]
Dielectric Withstanding Voltage (DC)			1,500	Vdc
Jacket Spark			5,000	Vrms

**Specifications by Frequency**

Part Number	Length	Description	F1	F2	F3	F4	F5	Units	Weight (lbs)
			250	500	1000	2500	6000	MHz	
FMCA100299/WP	Custom Lengths Available	Insertion Loss (Typ.)	0.039	0.055	0.079	0.129	0.204	dB/ft	
			0.13	0.19	0.26	0.43	0.67	dB/m	
FMCA100299/WP-12	12 Inch	Insertion Loss (Typ.)	0.19	0.23	0.28	0.39	0.55	dB	0.655
FMCA100299/WP-24	24 Inch	Insertion Loss (Typ.)	0.23	0.29	0.36	0.52	0.76	dB	0.688
FMCA100299/WP-36	36 Inch	Insertion Loss (Typ.)	0.27	0.34	0.44	0.65	0.96	dB	0.721
FMCA100299/WP-48	48 Inch	Insertion Loss (Typ.)	0.31	0.4	0.52	0.78	1.17	dB	0.754
FMCA100299/WP-60	60 Inch	Insertion Loss (Typ.)	0.35	0.45	0.6	0.91	1.37	dB	0.787

The insertion loss data for the base model does not include loss due to the connectors. Each length includes insertion loss due to the connectors.

Loss due to Connector 1: 0.1 dB  
 Loss due to Connector 2: 0.1\*SQRT(FGHz) dB  
 Base Weight: 0.655 pounds  
 Additional Weight per Inch: 0.00275 pounds

**Mechanical Specifications**

**Cable Assembly**

Width/Diameter 0.5 in [12.7 mm]  
 Weight 0.655 lbs [297.1 g]

**Cable**

Cable Type LMR-240  
 Impedance 50 Ohms  
 Inner Conductor Type Solid  
 Inner Conductor Material and Plating Copper  
 Dielectric Type PE (F)  
 Number of Shields 2  
 Shield Layer 1 Aluminum Tape  
 Shield Layer 2 Tinned Copper Braid  
 Jacket Material PE  
 Jacket Diameter 0.24 in [6.1 mm]  
 One Time Minimum Bend Radius 0.75 in [19.05 mm]  
 Repeated Minimum Bend Radius 2.5 in [63.5 mm]  
 Bending Moment 0.25 lbs-ft [0.34 N-m]  
 Flat Plate Crush 20 lbs/in [0.36 Kg/mm]

Low Loss 4.3-10 Male to SMA Male Weatherproof Cable  
LMR-240 Coax with Times Microwave Components



**FMCA100299/WP**

Tensile Strength 80 lbs [36.29 Kg]

**Connectors**

Description	Connector 1	Connector 2
Type	4.3-10 Male	SMA Male
Option	Weatherproof Boot	Weatherproof Boot
Specification		MIL-STD-348
Impedance	50 Ohms	50 Ohms
Configuration	Straight	Straight
Contact Material and Plating	Brass, Silver	Beryllium Copper, Gold
Contact Plating Specification	200 µin minimum	ASTM B488
Dielectric Type	PTFE	PTFE
Outer Conductor Material and Plating		Passivated Stainless Steel, Gold
Body Material and Plating	Brass, Tri-Metal	Passivated Stainless Steel, Gold
Body Plating Specification	80 µin minimum	SAE-AMS-2700
Coupling Nut Material and Plating	Brass, Tri-Metal	Passivated Stainless Steel
Coupling Nut Plating Specification	80 µin minimum	SAE-AMS-2700
Boot Material	Silicone	Silicone

**Environmental Specifications**

Ingress Protection (IP) Rating IP68

**Compliance Certifications** (see [product page](#) for current document)

**Plotted and Other Data**

Notes:  
Values at 25°C, sea level.

Low Loss 4.3-10 Male to SMA Male Weatherproof Cable  
LMR-240 Coax with Times Microwave Components



**FMCA100299/WP**

**Typical Performance Data**

**How to Order**

Part Number Configuration:

**FMCA100299/WP - xx uu**



Example: FMCA100299/WP-12 = 12 inches long cable  
FMCA100299/WP-100cm = 100 cm long cable

Low Loss 4.3-10 Male to SMA Male Weatherproof Cable LMR-240 Coax with Times Microwave Components from Fairview Microwave is in-stock and available to ship same-day. All of our RF/microwave products are available off-the-shelf from our ISO 9001:2008 certified facilities in Lewisville, Texas. Fairview Microwave is RF on-demand.

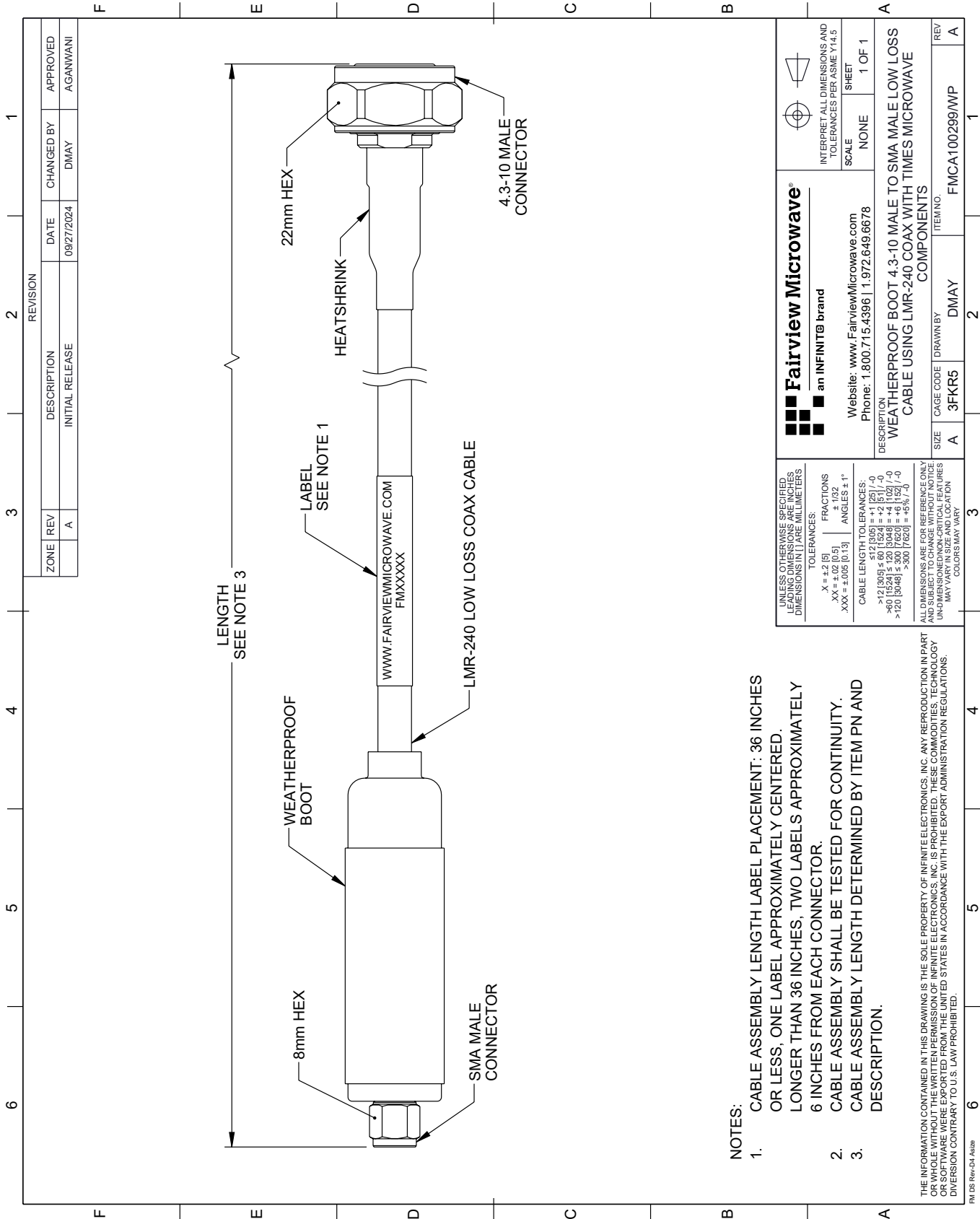
For additional information on this product, please click the following link: [Low Loss 4.3-10 Male to SMA Male Weatherproof Cable LMR-240 Coax with Times Microwave Components FMCA100299/WP](#)

URL: <https://www.fairviewmicrowave.com/low-loss-4.3-10-male-to-sma-male-weatherproof-cable-lmr-240-coax-with-times-microwave-components-fmca100299-wp-p.aspx>

The information contained within this document is accurate to the best of our knowledge and representative of the part described herein. It may be necessary to make modifications to the part and/or the documentation of the part in order to implement improvements. Fairview Microwave reserves the right to make such changes as required. Unless otherwise stated, all specifications are nominal. Fairview Microwave does not make any representation or warranty regarding the suitability of the part described herein for any particular purpose, and Fairview Microwave does not assume liability arising out of the use of any part or document.

# FMCA100299/WP CAD Drawing

Low Loss 4.3-10 Male to SMA Male Weatherproof Cable LMR-240 Coax with Times Microwave Components



REVISION		DATE	CHANGED BY	APPROVED
ZONE	REV	DESCRIPTION	INITIAL RELEASE	
	A			AGANWANI

ZONE	REV	DESCRIPTION	DATE	CHANGED BY	APPROVED
	A	INITIAL RELEASE	09/27/2024	DMAY	AGANWANI

<p>UNLESS OTHERWISE SPECIFIED, LEADING DIMENSIONS ARE IN INCHES. DIMENSIONS IN [ ] ARE MILLIMETERS.</p> <p>TOLERANCES:</p> <p>X = ±.2 [5]      FRACTIONS ± 1/32</p> <p>.XX = ±.02 [0.5]      ANGLES ± 1°</p> <p>.XXX = ±.005 [0.13]</p> <p>CABLE LENGTH TOLERANCES:</p> <p>&gt;12 [305] ≤ 60 [1524] = ±.1 [2.5] / -0</p> <p>&gt;60 [1524] ≤ 120 [3048] = ±.4 [102] / -0</p> <p>&gt;120 [3048] ≤ 300 [7620] = ±.8 [20] / -0</p>		<p>ALL DIMENSIONS ARE FOR REFERENCE ONLY. UNLESS OTHERWISE SPECIFIED, LEADING DIMENSIONS ARE IN INCHES. DIMENSIONS IN [ ] ARE MILLIMETERS. COLORS MAY VARY.</p>	
<p>FAIRVIEW MICROWAVE® an INFINIT® brand</p> <p>Website: <a href="http://www.FairviewMicrowave.com">www.FairviewMicrowave.com</a> Phone: 1.800.715.4396   1.972.649.6678</p>		<p>INTERPRET ALL DIMENSIONS AND TOLERANCES PER ASME Y14.5</p> <p>SCALE: NONE</p> <p>SHEET: 1 OF 1</p>	
<p>DESCRIPTION WEATHERPROOF BOOT 4.3-10 MALE TO SMA MALE LOW LOSS CABLE USING LMR-240 COAX WITH TIMES MICROWAVE COMPONENTS</p>		<p>ITEM NO. FMCA100299/WP</p>	
SIZE	A	CAGE CODE	3FKR5
DRAWN BY	DMAY	REV	A

- NOTES:
- CABLE ASSEMBLY LENGTH LABEL PLACEMENT: 36 INCHES OR LESS, ONE LABEL APPROXIMATELY CENTERED. LONGER THAN 36 INCHES, TWO LABELS APPROXIMATELY 6 INCHES FROM EACH CONNECTOR.
  - CABLE ASSEMBLY SHALL BE TESTED FOR CONTINUITY.
  - CABLE ASSEMBLY LENGTH DETERMINED BY ITEM PN AND DESCRIPTION.

THE INFORMATION CONTAINED IN THIS DRAWING IS THE SOLE PROPERTY OF INFINITE ELECTRONICS, INC. ANY REPRODUCTION IN PART OR WHOLE WITHOUT THE WRITTEN PERMISSION OF INFINITE ELECTRONICS, INC. IS PROHIBITED. THESE COMMODITIES, TECHNOLOGY OR SOFTWARE WERE EXPORTED FROM THE UNITED STATES IN ACCORDANCE WITH THE EXPORT ADMINISTRATION REGULATIONS. DIVISION CONTRARY TO U.S. LAW PROHIBITED.