

SMA Male to RA Mini SMP Female Cable FM-F086 Coax



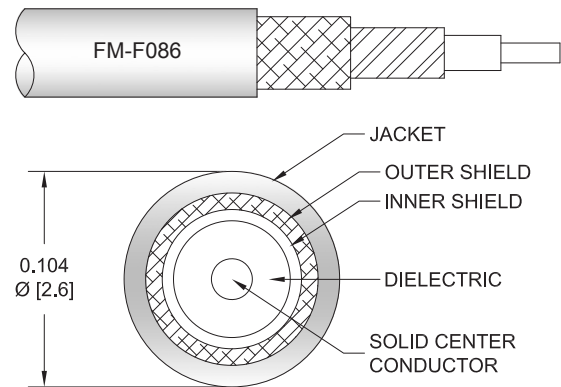
FMC0248085

Configuration

- Connector 1: SMA Male
- Connector 2: Mini SMP Female Right Angle
- Cable Type: FM-F086
- Coax Flex Type: Flexible

Features

- Max Frequency 18 GHz
- Double Shielded
- FEP Jacket



Applications

- General Purpose
- Laboratory Use

Description

The SMA male to RA Mini SMP female cable using FM-F086 coax, part number FMC0248085, from Fairview Microwave is in-stock and ships same day. This Fairview SMA to Mini SMP cable assembly has a male to female gender configuration with 50 ohm flexible FM-F086 coax. Fairview Microwave's flexible RF cable assemblies are ideal for applications where tight bends and continual flexure are required. The FMC0248085 SMA male to Mini SMP female cable assembly operates to 18 GHz. The right angle Mini SMP interface on the FM-F086 cable allows for easier connections in tight spaces. The double shielding of this Fairview cable assembly provides excellent shielding effectiveness.

Custom versions of most RF cable assemblies can be built and shipped same day. Custom cable assembly lengths can be obtained by specifying the desired length on the web site at time of order or by contacting a sales representative. Other RF cable assembly value added services including connector orientation or clocking, heat shrink booting and labeling are also available. RF testing can also be performed to document the electrical performance of your cable assembly.

Electrical Specifications

Description	Minimum	Typical	Maximum	Units
Frequency Range	DC		18	GHz
VSWR			1.35:1	

Mechanical Specifications

Cable Assembly

Width/Diameter	0.265 in [6.73 mm]
Weight	0.03177 lbs [14.41 g]

Cable

Cable Type	FM-F086
Impedance	50 Ohms
Inner Conductor Type	Solid
Inner Conductor Material and Plating	Copper, Silver

SMA Male to RA Mini SMP Female Cable FM-F086 Coax



FMC0248085

Dielectric Type	PTFE
Number of Shields	2
Shield Layer 1	Silver Plated Copper Tape
Shield Layer 2	Silver Plated Copper Braid
Jacket Material	FEP, Blue
Jacket Diameter	0.104 in [2.64 mm]

Connectors

Description	Connector 1	Connector 2
Type	SMA Male	Mini SMP Female Right Angle
Impedance	50 Ohms	50 Ohms
Configuration	Straight	Right Angle
Contact Material and Plating	Beryllium Copper, Gold	Beryllium Copper, Gold
Contact Plating Specification	MIL-G-45204	MIL-G-45204
Dielectric Type	PTFE	PTFE
Body Material and Plating	Stainless Steel, Passivated	Beryllium Copper, Gold
Body Plating Specification		MIL-G-45204

Environmental Specifications

Operating Range Temperature	-65 to +165 deg C
-----------------------------	-------------------

Compliance Certifications (see [product page](#) for current document)

Plotted and Other Data

Notes:

SMA Male to RA Mini SMP Female Cable FM-F086 Coax



FMC0248085

Typical Performance Data

How to Order

Part Number Configuration:

FMC0248085

- **xx**

uu

Unit of Measure:

cm = Centimeters

<blank> = Inches

Length

Base Number

Example: FMC0248085-12 = 12 inches long cable
FMC0248085-100cm = 100 cm long cable

SMA Male to RA Mini SMP Female Cable FM-F086 Coax from Fairview Microwave is in-stock and available to ship same-day. All of our RF/microwave products are available off-the-shelf from our ISO 9001:2008 certified facilities in Lewisville, Texas. Fairview Microwave is RF on-demand.

For additional information on this product, please click the following link: [SMA Male to RA Mini SMP Female Cable FM-F086 Coax FMC0248085](https://www.fairviewmicrowave.com/standard-sma-male-ra-mini-smp-female-cable-fmf086-coax-fmc0248085-p.aspx)

URL: <https://www.fairviewmicrowave.com/standard-sma-male-ra-mini-smp-female-cable-fmf086-coax-fmc0248085-p.aspx>

The information contained within this document is accurate to the best of our knowledge and representative of the part described herein. It may be necessary to make modifications to the part and/or the documentation of the part in order to implement improvements. Fairview Microwave reserves the right to make such changes as required. Unless otherwise stated, all specifications are nominal. Fairview Microwave does not make any representation or warranty regarding the suitability of the part described herein for any particular purpose, and Fairview Microwave does not assume liability arising out of the use of any part or document.

FMC0248085 CAD Drawing

SMA Male to RA Mini SMP Female Cable FM-F086 Coax

