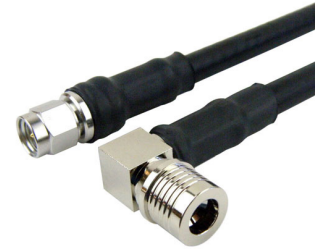


## SMA Male to RA QMA Male Cable LMR-240 Coax with Times Microwave Connectors



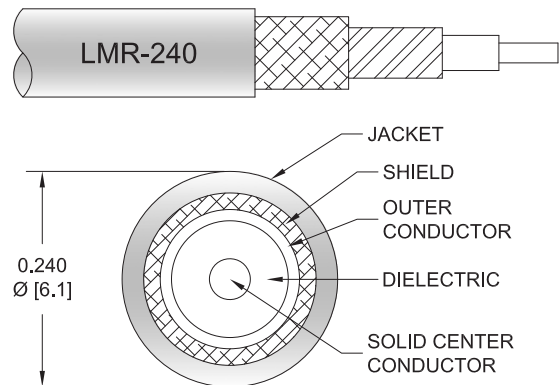
### FMC0223240

#### Configuration

- Connector 1: SMA Male
- Connector 2: QMA Male Right Angle
- Cable Type: LMR-240
- Coax Flex Type: Flexible

#### Features

- Max Frequency 6 GHz
- Shielding Effectivity > 90 dB
- 84% Phase Velocity
- PE Jacket



#### Applications

- General Purpose
- Laboratory Use

#### Description

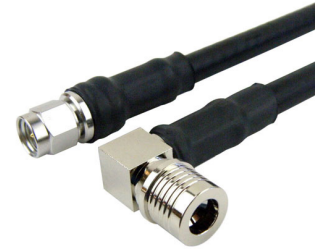
The SMA male to RA QMA male cable using LMR-240 coax, part number FMC0223240, from Fairview Microwave is in-stock and ships same day. This Fairview SMA to QMA cable assembly has a male to male gender configuration with 50 ohm flexible LMR-240 coax. Fairview Microwave's flexible RF cable assemblies are ideal for applications where tight bends and continual flexure are required. The FMC0223240 SMA male to QMA male cable assembly operates to 6 GHz. The right angle QMA interface on the LMR-240 cable allows for easier connections in tight spaces.

Custom versions of most RF cable assemblies can be built and shipped same day. Custom cable assembly lengths can be obtained by specifying the desired length on the web site at time of order or by contacting a sales representative. Other RF cable assembly value added services including connector orientation or clocking, heat shrink booting and labeling are also available. RF testing can also be performed to document the electrical performance of your cable assembly.

#### Electrical Specifications

| Description                   | Minimum | Typical     | Maximum | Units                 |
|-------------------------------|---------|-------------|---------|-----------------------|
| Frequency Range               | DC      |             | 6       | GHz                   |
| VSWR                          |         |             | 1.35:1  |                       |
| Velocity of Propagation       |         | 84          |         | %                     |
| RF Shielding                  | 90      |             |         | dB                    |
| Capacitance                   |         | 24.2 [79.4] |         | pF/ft [pF/m]          |
| Inductance                    |         | 0.06 [0.2]  |         | uH/ft [uH/m]          |
| DC Resistance Inner Conductor |         | 3.2 [10.5]  |         | Ohms/1000ft [Ohms/Km] |

SMA Male to RA QMA Male Cable LMR-240 Coax with Times Microwave Connectors



**FMC0223240**

**Electrical Specifications**

| Description                   | Minimum | Typical      | Maximum | Units                 |
|-------------------------------|---------|--------------|---------|-----------------------|
| DC Resistance Outer Conductor |         | 3.89 [12.76] |         | Ohms/1000ft [Ohms/Km] |

**Mechanical Specifications**

**Cable Assembly**

|                |                    |
|----------------|--------------------|
| Width/Diameter | 0.75 in [19.05 mm] |
| Weight         | 0.02425 lbs [11 g] |

**Cable**

|                                      |                  |
|--------------------------------------|------------------|
| Cable Type                           | LMR-240          |
| Impedance                            | 50 Ohms          |
| Inner Conductor Type                 | Solid            |
| Inner Conductor Material and Plating | Copper           |
| Dielectric Type                      | PE (F)           |
| Number of Shields                    | 1                |
| Shield Layer 1                       | Tinned Copper    |
| Shield Layer 2                       | Aluminum Tape    |
| Jacket Material                      | PE, Black        |
| Jacket Diameter                      | 0.24 in [6.1 mm] |

**Connectors**

| Description                          | Connector 1            | Connector 2           |
|--------------------------------------|------------------------|-----------------------|
| Type                                 | SMA Male               | QMA Male Right Angle  |
| Impedance                            | 50 Ohms                | 50 Ohms               |
| Configuration                        | Straight               | Right Angle           |
| Contact Material and Plating         | Beryllium Copper, Gold | Phosphor Bronze, Gold |
| Dielectric Type                      | PTFE                   | PTFE                  |
| Outer Conductor Material and Plating |                        | Brass, Nickel         |
| Body Material and Plating            | Brass, Tri-Metal       | Brass, Nickel         |
| Coupling Nut Material and Plating    | Brass, Tri-Metal       |                       |
| Hex Size                             | 5/16 inch              |                       |

**Environmental Specifications**

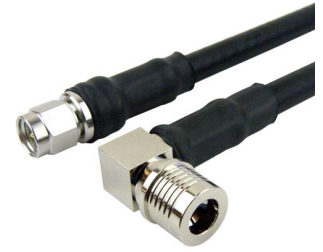
|                             |                  |
|-----------------------------|------------------|
| Operating Range Temperature | -40 to +85 deg C |
|-----------------------------|------------------|

**Compliance Certifications** (see [product page](#) for current document)

**Plotted and Other Data**

Notes:

SMA Male to RA QMA Male Cable LMR-240 Coax with Times Microwave Connectors



**FMC0223240**

**Typical Performance Data**

**How to Order**



Example: FMC0223240-12 = 12 inches long cable  
FMC0223240-100cm = 100 cm long cable

SMA Male to RA QMA Male Cable LMR-240 Coax with Times Microwave Connectors from Fairview Microwave is in-stock and available to ship same-day. All of our RF/microwave products are available off-the-shelf from our ISO 9001:2008 certified facilities in Lewisville, Texas. Fairview Microwave is RF on-demand.

For additional information on this product, please click the following link: [SMA Male to RA QMA Male Cable LMR-240 Coax with Times Microwave Connectors FMC0223240](#)

URL: <https://www.fairviewmicrowave.com/sma-male-ra-qma-plug-cable-times-lmr-240-coax-fmc0223240-p.aspx>

The information contained within this document is accurate to the best of our knowledge and representative of the part described herein. It may be necessary to make modifications to the part and/or the documentation of the part in order to implement improvements. Fairview Microwave reserves the right to make such changes as required. Unless otherwise stated, all specifications are nominal. Fairview Microwave does not make any representation or warranty regarding the suitability of the part described herein for any particular purpose, and Fairview Microwave does not assume liability arising out of the use of any part or document.

# FMC0223240 CAD Drawing

SMA Male to RA QMA Male Cable LMR-240 Coax with Times Microwave Connectors

