

.141 Low Loss Semi-Rigid Coax Cable with Tin Plated Copper Outer Conductor and Microporous PTFE 76.5 pct VoP Dielectric, Straight Sections

Low loss 141 semi-rigid coax cable, part number FMBC008, from Fairview Microwave is in-stock and ships same day. This .141 inch diameter semi-rigid cable features a microporous PTFE dielectric and operates to a maximum frequency of 34 GHz. The outer conductor of this semirigid low loss coaxial cable is constructed from a continuous copper tube which minimizes attenuation and maximizes RF shielding performance. The microporous (low density) PTFE dielectric also reduces attenuation and offers the added benefits of phase stability vs. temperature and improved thermal stability.

Improved thermal stability of this microporous semi-rigid cable allows it to be soldered with minimal dielectric expansion and stress on the connectors. Fairview's low loss semi-rigid coax with microporous PTFE, FMBC008, datasheet with specifications and outline drawing are shown in the PDF below. Our extensive offering of RF, microwave and millimeter wave connections allow designers to configure and customize their signals however they like. From creating phase stable connections to reducing cable attenuation, Fairview Microwave has the right cable solutions to meet your needs.

Electrical Specifications

Description	Min	Typ	Max	Units
Frequency Range	DC		34	GHz
Impedance		50		Ohms
Velocity of Propagation		76.5		%

Performance by Frequency Band

Description	F1	F2	F3	F4	F5	Units
Frequency	0.5	1	5	10	18	GHz
Attenuation, Typ	7.5	10.5	24	34	46	dB/100ft
	24.61	34.45	78.74	111.55	150.92	dB/100m
Power In (CW), Max	820	580	240	170	130	Watts

Description	F6	F7	F8	F9	F10	Units
Frequency	20					GHz
Attenuation, Typ	52					dB/100ft
	170.6					dB/100m
Power In (CW), Max	115					Watts

Mechanical Specifications

Min. Bend Radius (Installation) 0.5 in [12.7 mm]

Construction Specifications

Description	Material and Plating	Diameter
Inner Conductor	Copper, Silver, 1 Strands ASTM B-298	0.04 in [1.02 mm]



Configuration:

- Low Loss Semi-Rigid Cable
- 1 Shield(s)

Features:

- Continuous Copper Outer Conductor
- Phase Stability vs. Temperature
- Low Density PTFE Dielectric
- Reduces Stress on Connectors
- High Isolation
- Supplied in 5 foot maximum straight lengths

Applications:

- Microporous Cable Assemblies
- Low Loss Interconnects
- High Isolation Cables
- Surface Mount
- Semi-Rigid Coaxial Cables

Fairview Microwave
301 Leora Ln., Suite 100
Lewisville, TX 75056
Tel: 1-800-715-4396 / (972) 649-6678
Fax: (972) 649-6689
www.fairviewmicrowave.com
sales@fairviewmicrowave.com

Conductor Type	Solid	
Dielectric	Microporous PTFE	0.118 in [3 mm]
Outer Conductor	Copper, Tin ASTM B545	0 in [0 mm]

Environmental Specifications
Temperature

Operating Range -65 to +200 deg C

Compliance Certifications (see [product page](#) for current document)

Plotted and Other Data

Notes:

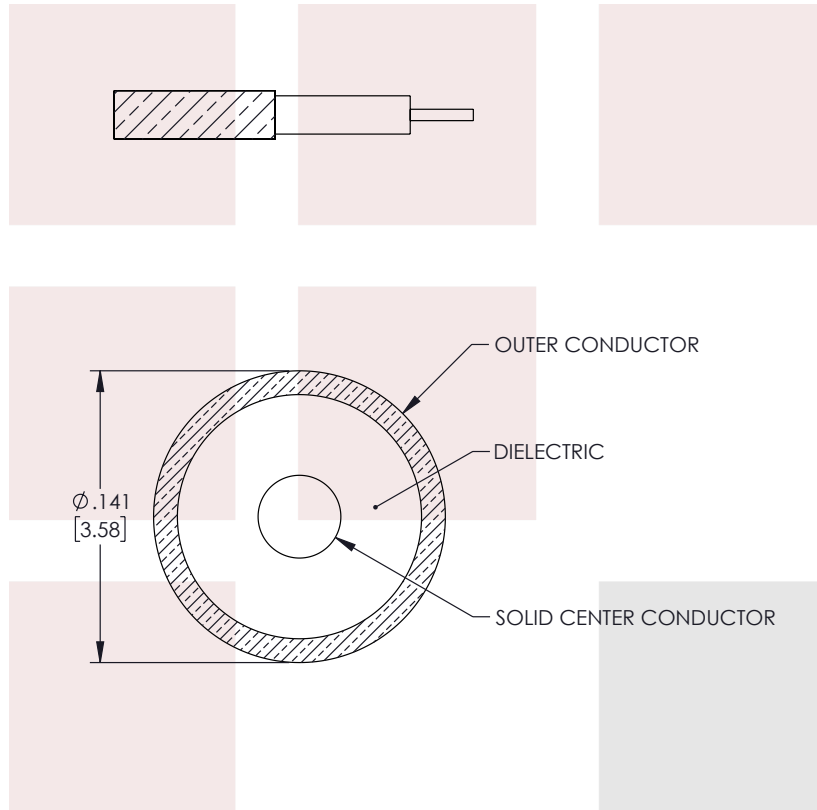
.141 Low Loss Semi-Rigid Coax Cable with Tin Plated Copper Outer Conductor and Microporous PTFE 76.5 pct VoP Dielectric, Straight Sections from Fairview Microwave has same day shipment for domestic and International orders. Our RF, microwave and millimeter wave products maintain a 99% availability and are part of the broadest selection in the industry.

Click the following link to obtain additional part information: [.141 Low Loss Semi-Rigid Coax Cable with Tin Plated Copper Outer Conductor and Microporous PTFE 76.5 pct VoP Dielectric, Straight Sections FMBC008-BULK](#)

URL: <https://www.fairviewmicrowave.com/141-low-loss-semirigid-coax-cable-tin-plated-copper-straight-fmbc008-bulk-p.aspx>

The information contained in this document is accurate to the best of our knowledge and representative of the part described herein. It may be necessary to make modifications to the part and/or the documentation of the part, in order to implement improvements. Fairview Microwave reserves the right to make such changes as required. Unless otherwise stated, all specifications are nominal. Fairview Microwave does not make any representation or warranty regarding the suitability of the part described herein for any particular purpose, and Fairview Microwave does not assume any liability arising out of the use of any part or documentation.

REVISIONS			
REV.	DESCRIPTION	DATE	APPROVED
A	INITIAL RELEASE	03/24/2022	AGANWANI



THESE COMMODITIES, TECHNOLOGY OR SOFTWARE WERE EXPORTED FROM THE UNITED STATES IN ACCORDANCE WITH THE EXPORT ADMINISTRATION REGULATIONS. DIVERSION CONTRARY TO U.S. LAW PROHIBITED.

<p>Fairview Microwave an INFINIT[®] brand</p>	<p>UNLESS OTHERWISE SPECIFIED LEADING DIMENSIONS ARE INCHES DIMENSIONS IN [] ARE MILLIMETERS</p> <p>TOLERANCES: CABLE LENGTH (L) TOLERANCES:</p> <table border="0"> <tr> <td>.X = ±.2 [5.08]</td> <td>FRACTIONS</td> <td>L ≤ 12 [305] = +1 [25] / -0</td> </tr> <tr> <td>.XX = ±.02 [.51]</td> <td>± 1/32</td> <td>12 [305] < L ≤ 60 [1524] = +2 [51] / -0</td> </tr> <tr> <td>.XXX = ±.005 [.13]</td> <td>ANGLES ± 1°</td> <td>60 [1524] < L ≤ 120 [3048] = +4 [102] / -0</td> </tr> <tr> <td></td> <td></td> <td>120 [3048] < L ≤ 300 [7620] = +6 [152] / -0</td> </tr> <tr> <td></td> <td></td> <td>300 [7620] < L = +5%L / -0</td> </tr> </table>		.X = ±.2 [5.08]	FRACTIONS	L ≤ 12 [305] = +1 [25] / -0	.XX = ±.02 [.51]	± 1/32	12 [305] < L ≤ 60 [1524] = +2 [51] / -0	.XXX = ±.005 [.13]	ANGLES ± 1°	60 [1524] < L ≤ 120 [3048] = +4 [102] / -0			120 [3048] < L ≤ 300 [7620] = +6 [152] / -0			300 [7620] < L = +5%L / -0	<p>THIRD-ANGLE PROJECTION</p> <p>THE INFORMATION AND DESIGN IN THIS DOCUMENT IS THE PROPERTY OF FAIRVIEW MICROWAVE CORPORATION. ALL RIGHTS RESERVED.</p>
	.X = ±.2 [5.08]	FRACTIONS	L ≤ 12 [305] = +1 [25] / -0															
.XX = ±.02 [.51]	± 1/32	12 [305] < L ≤ 60 [1524] = +2 [51] / -0																
.XXX = ±.005 [.13]	ANGLES ± 1°	60 [1524] < L ≤ 120 [3048] = +4 [102] / -0																
		120 [3048] < L ≤ 300 [7620] = +6 [152] / -0																
		300 [7620] < L = +5%L / -0																
<p>TITLE</p> <p>.141 Low Loss Semi-Rigid Coax Cable with Tin Plated Copper Outer Conductor and Microporous PTFE 76.5 pct VoP Dielectric, Straight Sections</p>	<p>ALL DIMENSIONS SHOWN ARE FOR REFERENCE ONLY.</p>		<p>SHEET 1 OF 1</p> <p>SCALE N/A</p>															
<p>SIZE A</p>	<p>CAGE CODE 3FKR5</p>	<p>DRAWN BY DZINN</p>	<p>ITEM NO. FMBC008-BULK</p> <p>REV A</p>															

T-Rev.D