

## 617-7125 MHz, 2-5 dBi Gain, Omni-directional Antenna with Magnetic NMO Mount, Reverse Polarity-TNC Plug Connector

The FMANMOB1002-RTP from Fairview Microwave is an omnidirectional antenna with a 5 dBi gain that transmits high-power signals and faster speed. This in-building antenna comes with a magnetic NMO mount specifically designed for high-performance applications. Our high-quality omni antenna is available in black color and can be procured with no order limit. This vertically polarized antenna has a frequency range of 617 to 7125 MHz, which is ideal for indoor low-profile, in-building, and mobile applications.

The NMO-type magnetic mount on Fairview Microwave's FMANMOB1002-RTP omnidirectional antenna makes it an ideal solution when the portability of the antenna is needed. This NMO antenna mount is constructed with a heavy-duty magnet to ensure secure mounting. The magnetic base allows a temporary plug-and-play installation. No drilling is required for the installation of this antenna mount, making it easy to fine-tune the antenna location. This magnetic mount has a reverse polarity TNC plug connector and can be used for WLAN, Wi-Fi, public safety, and mobile RF applications.

Fairview Microwave has one of the largest in-stock selections of omnidirectional in-building antennas with the same-day shipment. Make your online purchase right now to take advantage of our same-day shipping. For further information on similar products, our expert technical support and knowledgeable sales team can help you get the ideal vertically polarized antenna with a magnetic NMO mount for your requirements.

### Configuration

Design	Omni
Polarization	Vertical
Connector Type	TNC Reverse Polarity
Number of Ports	1

### Electrical Specifications

Description	Min	Typ	Max	Units
Frequency Range	617		7,125	MHz
Input VSWR			1.5:1	
Gain	2		5	dBi
Input Power			100	Watts

### Mechanical Specifications

<b>Size</b>	
Length	4.95 in [125.73 mm]
Width	3 in [76.2 mm]
Height	3 in [76.2 mm]
Weight	1.25 lbs [566.99 g]

### Environmental Specifications



### Features:

- Outdoor Rated Omni Directional Antenna
- 2-5 dBi Gain
- Easy to install magnetic mount offering temporary plug and play installation
- NMO Magnetic Mount, Black ABS Radome
- 2.5:1 VSWR Max
- 10 Foot, Black Low-Loss LMR195 Equivalent
- Reverse Polarity-TNC Plug Connector

### Applications:

- Infotainment systems, Routers, Wi-Fi hotspots, HD video transmission, Gateways, Dash cameras, Public transportation Public Safety Networks
- Connected cars or self driving cars, Fleet management, Logistics
- IoT, Industrial IoT, Zigbee, Bluetooth, Wi-Fi

Fairview Microwave  
301 Leora Ln., Suite 100  
Lewisville, TX 75056  
Tel: 1-800-715-4396 / (972) 649-6678  
Fax: (972) 649-6689  
[www.fairviewmicrowave.com](http://www.fairviewmicrowave.com)  
[sales@fairviewmicrowave.com](mailto:sales@fairviewmicrowave.com)

**Compliance Certifications** (see [product page](#) for current document)

**Plotted and Other Data**

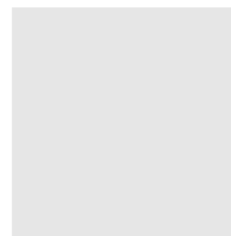
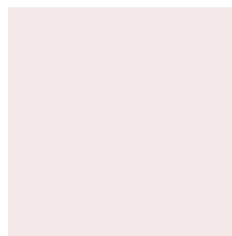
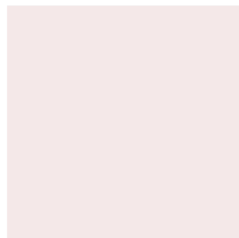
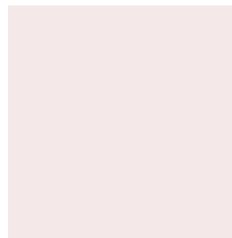
Notes:

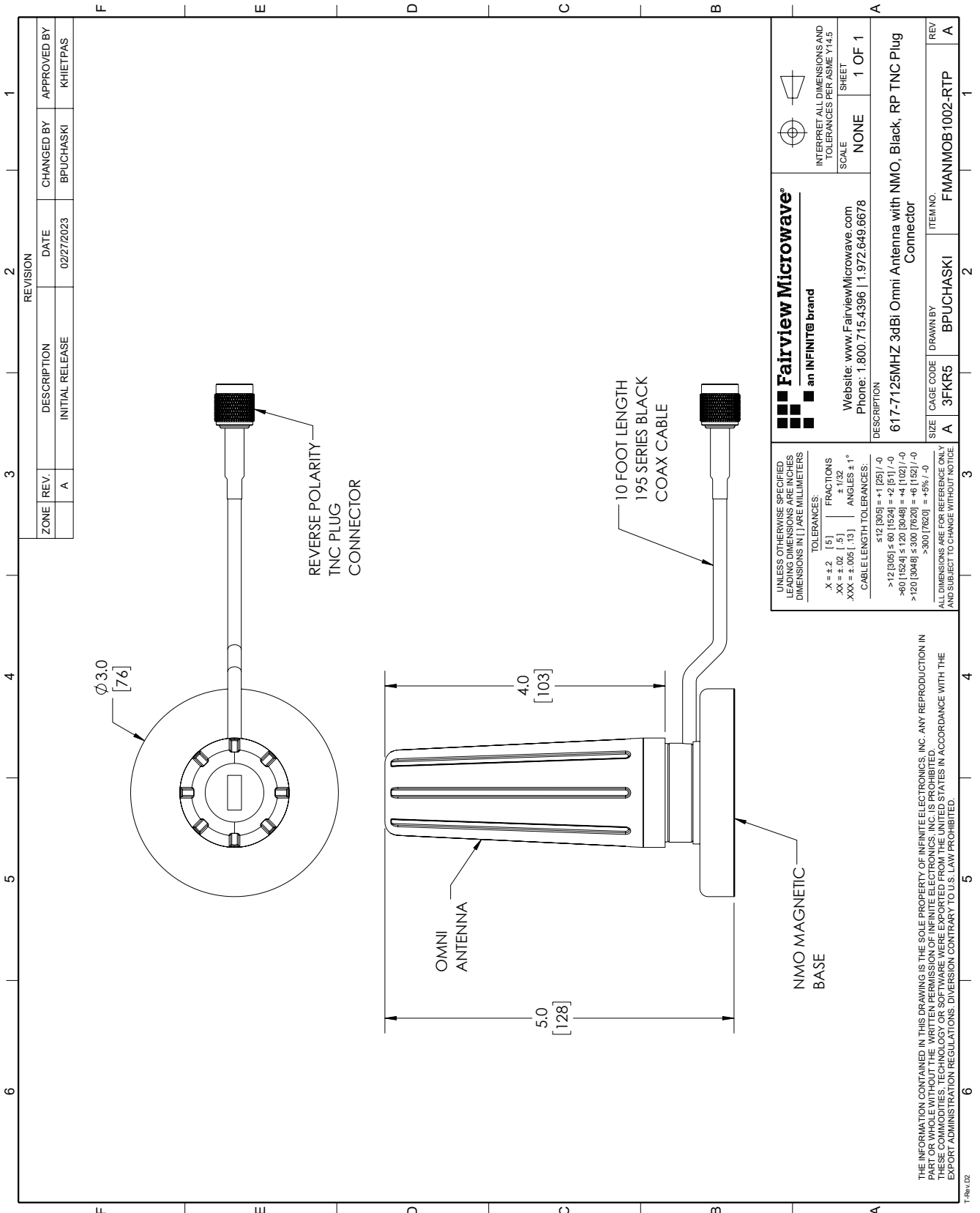
617-7125 MHz, 2-5 dBi Gain, Omni-directional Antenna with Magnetic NMO Mount, Reverse Polarity-TNC Plug Connector from Fairview Microwave is in-stock and available to ship same-day. All of our RF/microwave products are available off-the-shelf from our ISO 9001:2008 certified facilities in Lewisville, Texas. Fairview Microwave is RF on-demand.

For additional information on this product, please click the following link: [617-7125 MHz, 2-5 dBi Gain, Omni-directional Antenna with Magnetic NMO Mount, Reverse Polarity-TNC Plug Connector FMANMOB1002-RTP](#)

URL: <https://www.fairviewmicrowave.com/617-7125-mhz-2-5-dbi-gain-omni-directional-antenna-with-magnetic-nmo-mount-reverse-polarity-tnc-plug-connector-fmanmob1002-rtp-p.aspx>

The information contained in this document is accurate to the best of our knowledge and representative of the part described herein. It may be necessary to make modifications to the part and/or the documentation of the part, in order to implement improvements. Fairview Microwave reserves the right to make such changes as required. Unless otherwise stated, all specifications are nominal. Fairview Microwave does not make any representation or warranty regarding the suitability of the part described herein for any particular purpose, and Fairview Microwave does not assume any liability arising out of the use of any part or documentation.





REVISION		DATE	CHANGED BY	APPROVED BY
ZONE	REV.	INITIAL RELEASE		
	A	02/27/2023	BPUCHASKI	KHIETPAS

<p><b>Fairview Microwave</b> an INFINIT<sup>®</sup> brand</p> <p>Website: <a href="http://www.FairviewMicrowave.com">www.FairviewMicrowave.com</a> Phone: 1.800.715.4396   1.972.649.6678</p>	<p>INTERPRET ALL DIMENSIONS AND TOLERANCES PER ASME Y14.5</p> <p>SCALE: NONE SHEET: 1 OF 1</p>
	<p>DESCRIPTION</p> <p>617-7125MHZ 3dBi Omni Antenna with NMO, Black, RP TNC Plug Connector</p>
<p>UNLESS OTHERWISE SPECIFIED, DIMENSIONS ARE IN INCHES, DIMENSIONS IN PARENTHESIS ARE IN MILLIMETERS.</p> <p>TOLERANCES:</p> <p>.X = ±.2 [5]     FRACTIONS ± 1/32 .XX = ±.02 [5]     ANGLES ± 1° .XXX = ±.005 [13]</p> <p>CABLE LENGTH TOLERANCES:</p> <p>≤ 12 [305] = ±1 [25] / -0 &gt; 12 [305] ≤ 60 [1524] = +2 [51] / -0 &gt; 60 [1524] ≤ 120 [3048] = +4 [102] / -0 &gt; 120 [3048] ≤ 300 [7620] = +6 [152] / -0 &gt; 300 [7620] = +5% / -0</p> <p>ALL DIMENSIONS ARE FOR REFERENCE ONLY AND SUBJECT TO CHANGE WITHOUT NOTICE.</p>	<p>ITEM NO. FMANMOB1002-RTP</p> <p>SIZE A    3FKR5</p> <p>DRAWN BY BPUCHASKI</p>

THE INFORMATION CONTAINED IN THIS DRAWING IS THE SOLE PROPERTY OF INFINITE ELECTRONICS, INC. ANY REPRODUCTION IN PART OR WHOLE WITHOUT THE WRITTEN PERMISSION OF INFINITE ELECTRONICS, INC. IS PROHIBITED. THIS DRAWING IS THE PROPERTY OF INFINITE ELECTRONICS, INC. AND IS TO BE USED ONLY IN ACCORDANCE WITH THE EXPORT ADMINISTRATION REGULATIONS. DIVERSION CONTRARY TO U.S. LAW PROHIBITED.