

698-6000 MHz, 10 to 11 dBi gain, Log Periodic, Type N Female

The Log Periodic antenna FMANLP1015 from Fairview Microwave is a high-performance RF component which operates from 698 to 6000 MHz with 11 dBi of gain. FMANLP1015 is ideal for applications where directivity and coverage are very important like for point-to-point applications, 5G, LTE, CMDA, LoRA, IoT, WIFI. For long distance directional communication over a wide range of frequencies FMANLP1015 is best.

The FMANLP1015 has a 8 inches long pigtail terminated with 1 Type N Female connector. The log periodic FMANLP1015 has 50 vertical beamwidth and 65 horizontal beamwidth. This antenna has Vertical polarization and the included mounting brackets allow for either vertical or horizontal mounting configurations with easy install instructions. Log periodic antennas function as boosters where the existing cellular signal is weak and needs to reach further distances.

Fairview Microwave's 698 to 6000 MHz log periodic antenna FMANLP1015 antennas has 11 dBi max gain for 5G DAS networks operate in bands n1, n2, n3, n5, n7, n8, n12, n13, n14, n18, n20, n25, n26, n28, n29, n30, n34, n38, n39, n40, n41, n46, n47, n48, n53, n65, n66, n67, n67, n70, n71, n77, n78, n79, n80, n81, n82, n83, n84, n85, n86, n89, n90, n91, n92, n93, n94, n95, n96, n97, n98. This 5G directional log periodic antenna with N Female Type connector is in stock and ready to ship the same day. Contact our knowledgeable and friendly technical support and sales staff for your answers on antennas or other Fairview Microwave products.

Configuration

Design	Log Periodic
Gain	10 dBi
Polarization	Vertical
Cable Type	RG58U
Cable Length	7.87 in [199.9 mm]
Connector Type	N Female
Number of Ports	1

Electrical Specifications

Description	Min	Typ	Max	Units
Frequency Range	698		6,000	MHz
Input VSWR		1.7:1	2:1	
Impedance		50		Ohms
Gain	10		11	dBi
Input Power			100	Watts

Specifications by Frequency

Description	Band 1	Band 2	Band 3	Band 4	Band 5	Units
Range	0.698-0.96	1.71-2.7	3.3-6			GHz
Gain	10	11	11			dBi
Horiz. Beam Width	65	50	50			Degrees
Vert. Beam Width	50	45	45			Degrees
VSWR	2:1	1.7:1	2:1			
Max Input Power	100	100	100			Watts



Features:

- Frequency coverage for 698 MHz to 6000 MHz
- Very High Gain 11 dBi Directional Antenna
- Each connector covers wide band of frequencies
- Easy Install universal mounting bracket provided
- Weatherproof ABS – UV Resistance PVC radome
- Pigtail - 8 inches
- N-Type Female connector

Applications:

- Point-to-point, LPWAN, LoRA, LTE-M, NB-IoT, IoT, CBRS, M2M applications
- 5G / 4G LTE B1 to B10, B12 to B20, B23, B22, B24, B25, B28 / 3G / GSM / AWS / WLAN/ CBRS operation supported
- 5G Bands supported
- DAS (Distributed Antenna Systems)
- IEEE 802.11a / b / g / n / ac / ad / ah/ ax Wi-Fi applications
- Public safety, utilities, CCTV and local radio coverage
- Smart cities expansion for coverage and IOT / IIOT

Fairview Microwave
301 Leora Ln., Suite 100
Lewisville, TX 75056
Tel: 1-800-715-4396 / (972) 649-6678
Fax: (972) 649-6689
www.fairviewmicrowave.com
sales@fairviewmicrowave.com

Mechanical Specifications

Radome Material	ABS
Size	
Length	17.5 in [444.5 mm]
Width	8.26 in [209.8 mm]
Height	2.51 in [63.75 mm]
Weight	1.85 lbs [839.15 g]

Environmental Specifications

Temperature	
Operating Range	-40 to +60 deg C
Wind Loading	150 MPH [241.4 KPH]

Compliance Certifications (see [product page](#) for current document)

Plotted and Other Data

Notes:

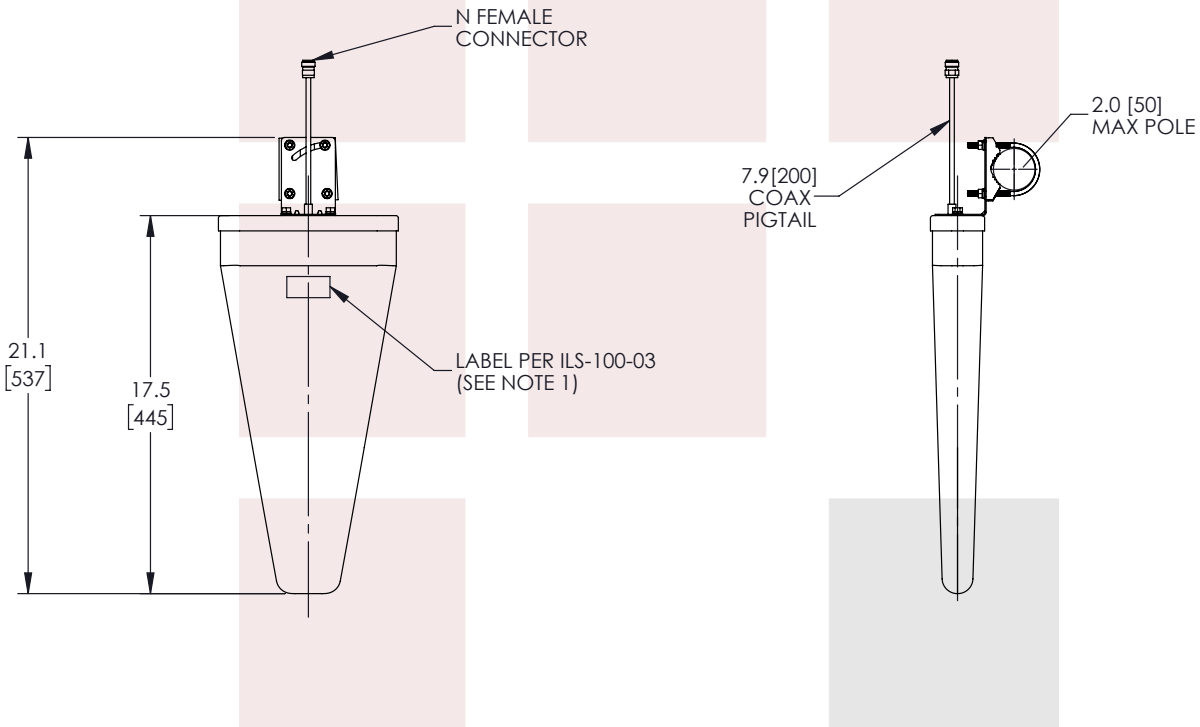
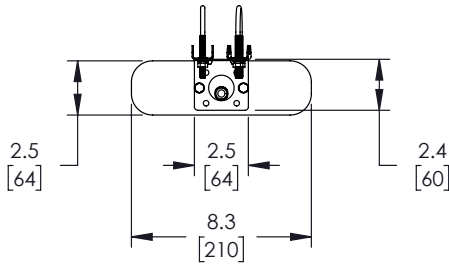
698-6000 MHz, 10 to 11 dBi gain, Log Periodic, Type N Female from Fairview Microwave is in-stock and available to ship same-day. All of our RF/microwave products are available off-the-shelf from our ISO 9001:2008 certified facilities in Lewisville, Texas. Fairview Microwave is RF on-demand.

For additional information on this product, please click the following link: [698-6000 MHz, 10 to 11 dBi gain, Log Periodic, Type N Female FMANLP1015](#)

URL: <https://www.fairviewmicrowave.com/multi-band-antenna-0-dbi-n-female-fmanlp1015-p.aspx>

The information contained in this document is accurate to the best of our knowledge and representative of the part described herein. It may be necessary to make modifications to the part and/or the documentation of the part, in order to implement improvements. Fairview Microwave reserves the right to make such changes as required. Unless otherwise stated, all specifications are nominal. Fairview Microwave does not make any representation or warranty regarding the suitability of the part described herein for any particular purpose, and Fairview Microwave does not assume any liability arising out of the use of any part or documentation.

REVISIONS			
REV.	DESCRIPTION	DATE	APPROVED
A	INITIAL RELEASE	03/31/2022	K.HEITPAS



- NOTES:**
 1. LABEL PER ILS-100-03 (FOR INTERNAL REFERENCE ONLY)
 LABEL LOCATION FOR REFERENCE ONLY.

THESE COMMODITIES, TECHNOLOGY OR SOFTWARE WERE EXPORTED FROM THE UNITED STATES IN ACCORDANCE WITH THE EXPORT ADMINISTRATION REGULATIONS. DIVERSION CONTRARY TO U.S. LAW PROHIBITED.

TITLE
 698-6000 MHz, 10 to 11 dBi gain, Log Periodic, Type N Female

UNLESS OTHERWISE SPECIFIED LEADING DIMENSIONS ARE INCHES
 DIMENSIONS IN [] ARE MILLIMETERS

TOLERANCES:		CABLE LENGTH (L) TOLERANCES:	
.X = ±.2 [5.08]	FRACTIONS ± 1/32	L ≤ 12 [305] = +1 [25] / -0	
.XX = ±.02 [.51]		12 [305] < L ≤ 60 [1524] = +2 [51] / -0	
.XXX = ±.005 [.13]	ANGLES ± 1°	60 [1524] < L ≤ 120 [3048] = +4 [102] / -0	
		120 [3048] < L ≤ 300 [7620] = +6 [152] / -0	
		300 [7620] < L = +5%L / -0	

THIRD-ANGLE PROJECTION

 THE INFORMATION AND DESIGN IN THIS DOCUMENT IS THE PROPERTY OF FAIRVIEW MICROWAVE CORPORATION. ALL RIGHTS RESERVED.

SHEET 1 OF 1

ALL DIMENSIONS SHOWN ARE FOR REFERENCE ONLY.

SCALE N/A

SIZE A	CAGE CODE 3FKR5	DRAWN BY K.GLEBOVA	ITEM NO. FMANLP1015	REV A
-----------	--------------------	-----------------------	------------------------	----------

T-Rev.D