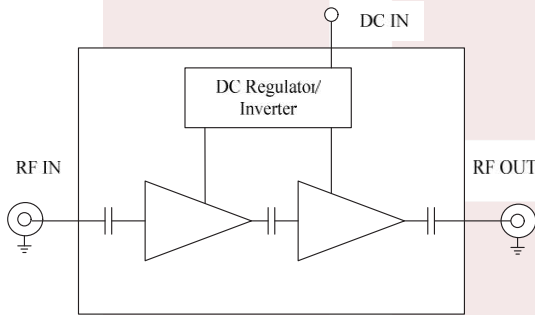


2 dB NF Amplifier, Operating From 26.5 GHz to 40 GHz with 43 dB Gain, 12 dBm P1dB and 2.92mm

FMAM3300 is a Low Noise RF coaxial amplifier operating in the 26.5 GHz to 40 GHz frequency range. The amplifier offers 2 dB typical noise figure, 10 dBm typical P1dB and high 43 dB small signal gain with gain flatness of ± 2 dB typical. The low noise amplifier requires typically a 12V DC power supply. The connectorized 2.92mm module is unconditionally stable and includes built-in voltage regulation. This low noise amplifier requires only a single positive supply, is unconditionally stable and operates over the temperature range of -40°C and 75°C .



Functional Block Diagram



Features:

- 26.5 GHz to 40 GHz Frequency Range
- P1dB: 10 dBm
- High Small Signal Gain: 43 dB typical
- Gain Flatness: ± 2 dB
- Gain Variance: ± 2 dB
- Noise Figure: 2 dB typ
- Reverse Isolation: 55 dB typical
- 50 Ohm Input and Output Matched
- -40 to 75°C Operating Temperature
- Unconditionally Stable
- Single DC Positive Supply
- Built-in Voltage Regulator

Applications:

- Laboratory Applications
- R&D Labs
- Radar Systems
- Test Instrumentation
- Military & Space
- Communication Systems
- Wireless Communication
- Microwave Radio Systems
- Low Noise Amplifier
- General Purpose Amplification
- General Purpose Wireless
- Wideband Gain Block
- IF Amplifier/RF Driver Amplifier
- RF Wideband Front Ends
- RF Pre-amplification
- Fixed and Land Mobile

Electrical Specifications (TA = $+25^{\circ}\text{C}$, DC Voltage = 12Vdc , DC Current = 110mA)

Description	Min	Typ	Max	Unit
Frequency Range	26.5		40	GHz
Small Signal Gain	40	43		dB
Gain Flatness		± 2	± 2.5	dB
Gain Variance at OTR*		2		dB
Output at 1 dB Compression Point	+12	+12		dBm
Output 3rd Intercept Point	+18	+20		dBm
Noise Figure		2	3	dB
Input VSWR		1.7:1	2.5:1	
Output VSWR		1.7:1	2.5:1	
Reverse Isolation		55		dB
Spurious			-70	dBc
Input Power (CW)			+10	dBm
Operating DC Voltage	10	12	15	Volts
Operating DC Current	90	110	140	mA
Operating Temperature Range	-40		+75	$^{\circ}\text{C}$

*OTR= Base Plate Operating Temperature Range

Fairview Microwave
 1130 Junction Dr. #100
 Allen, TX 75013
 Tel: 1-800-715-4396 / (972) 649-6678
 Fax: (972) 649-6689
www.fairviewmicrowave.com
sales@fairviewmicrowave.com

Absolute Maximum Rating

Parameter	Rating	Units
Source Voltage	+18	Volts
RF input Power	+10	dBm
Operating Temperature	-55 to +125	°C
Storage Temperature	-40 to +85	°C



ESD Sensitive Material, Transport material in Approved ESD bags. Handle only in approved ESD Workstation.

Mechanical Specifications

Size

Length	1.5 in [38.1 mm]
Width	1 in [25.4 mm]
Height	0.4 in [10.16 mm]
Weight	0.0735 lbs [33.34 g]
Input Connector	2.92mm Female
Output Connector	2.92mm Female

Environmental Specifications

Temperature

Operating Range	-40 to +75 deg C
Storage Range	-45 to +125 deg C

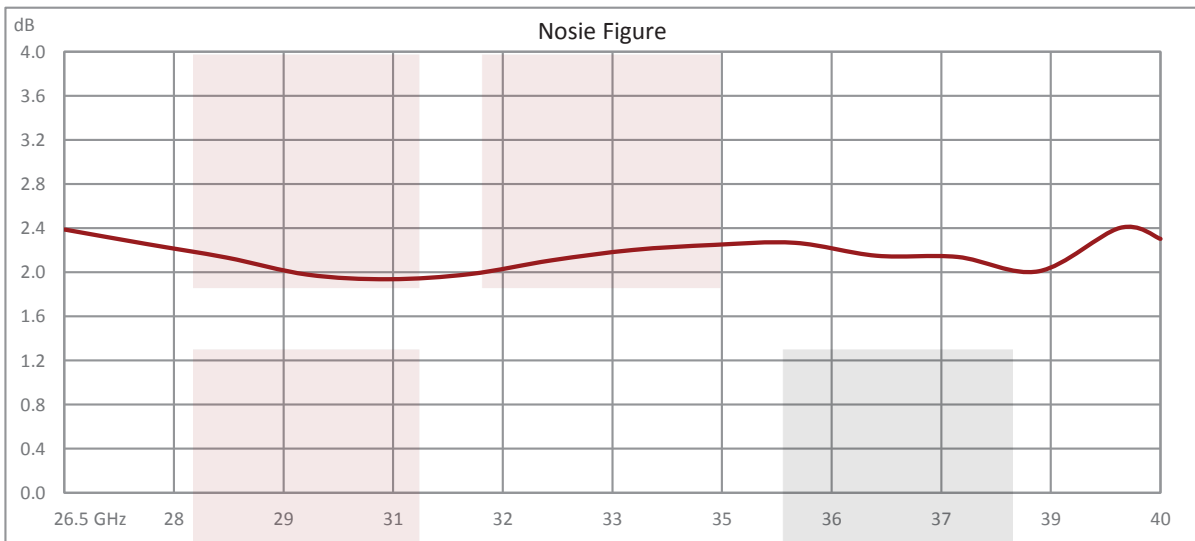
Compliance Certifications (see [product page](#) for current document)

Plotted and Other Data

Notes:

- Values at 25 °C, sea level

Typical Performance Data



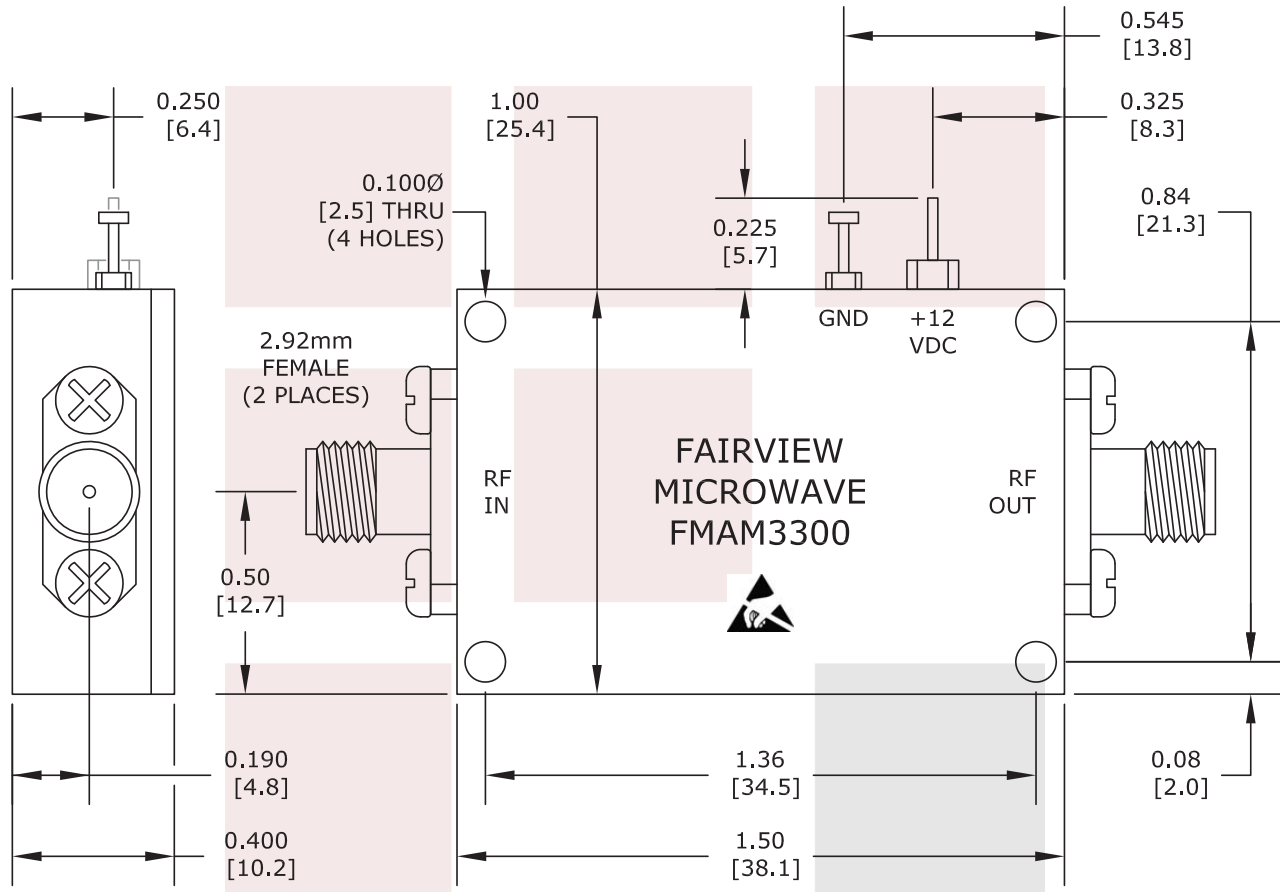


2 dB NF Amplifier, Operating From 26.5 GHz to 40 GHz with 43 dB Gain, 12 dBm P1dB and 2.92mm from Fairview Microwave is in-stock and available to ship same-day. All of our RF/microwave products are available off-the-shelf from our ISO 9001:2008 certified facilities in Allen, Texas. Fairview Microwave is RF on-demand.

For additional information on this product, please click the following link: [2 dB NF Amplifier, Operating From 26.5 GHz to 40 GHz with 43 dB Gain, 12 dBm P1dB and 2.92mm FMAM3300](https://www.fairviewmicrowave.com/2db-nf-low-noise-amplifier-43db-fmam3300-p.aspx)

URL: <https://www.fairviewmicrowave.com/2db-nf-low-noise-amplifier-43db-fmam3300-p.aspx>

The information contained in this document is accurate to the best of our knowledge and representative of the part described herein. It may be necessary to make modifications to the part and/or the documentation of the part, in order to implement improvements. Fairview Microwave reserves the right to make such changes as required. Unless otherwise stated, all specifications are nominal. Fairview Microwave does not make any representation or warranty regarding the suitability of the part described herein for any particular purpose, and Fairview Microwave does not assume any liability arising out of the use of any part or documentation.



FAIRVIEW MICROWAVE INC. ALLEN, TX 75013 WWW.FAIRVIEWMICROWAVE.COM		NOTES: 1. UNLESS OTHERWISE SPECIFIED ALL DIMENSIONS ARE NOMINAL. 2. ALL SPECIFICATIONS ARE SUBJECT TO CHANGE WITHOUT NOTICE AT ANY TIME. 3. DIMENSIONS ARE IN INCHES [mm].			
TITLE 2 dB NF Amplifier, Operating From 26.5 GHz to 40 GHz with 43 dB Gain, 12 dBm P1dB and 2.92mm		DWG NO FMAM3300		CAGE CODE 3FKR5	
CAD FILE	071816	SHEET	SCALE	N/A	SIZE A 2233