

Low PIM 4.3-10 Female (Jack) to SMA Male (Plug) Adapter



FMAD1703

Configuration

- 4.3-10 Female Connector 1
- SMA Male Connector 2
- 50 Ohm
- Low PIM Design
- Straight Body Geometry

Features

- Typical PIM levels of -155 dBc
- Silver Plated Beryllium Copper Contact
- Max of VSWR 1.15:1 at 3GHz

Applications

- Enables Between Series Connections
- General Purpose Test
- Low PIM Applications

Description

4.3-10 female to SMA male adapter part number FMAD1703 from Fairview Microwave is in-stock and ships same day. This Fairview 4.3-10 to SMA adapter has a female to male gender configuration in a low PIM design. FMAD1703 4.3-10 female to SMA male adapter operates to 6 GHz. The Fairview Microwave RF adapter provides a passive intermodulation of -155 dBc typical.

RF adapters can be used to enable connections between two connector types that would otherwise not mate. Certain RF adapter configurations can also be used to protect connectors on expensive equipment where the number of connect and disconnect cycles is high. An RF, microwave, or millimeter wave adapter is connected to the equipment and the commonly changed connection is made with the adapter which can be easily replaced when it wears out after high usage; such adapters are referred to as connector savers. Fairview Microwave also offers bulkhead, panel mount, hermetically sealed, reverse polarity, and isolated ground adapter varieties to serve all of your RF, microwave and millimeter wave needs.

Electrical Specifications

Description	Minimum	Typical	Maximum	Units
Frequency Range	DC		6	GHz
Impedance		50 Ohm		
Passive Intermodulation		-155		dBc
Dielectric Withstanding Voltage (AC)			1,000	Vrms

Mechanical Specifications

Size

Length	1.28 in [32.50 mm]
Width	0.80 in [20.40 mm]
Height	0.80 in [20.40 mm]
Weight	0.08 lbs [35.13 g]

Description	Connector 1	Connector 2
Type	4.3-10 Female	SMA Male
Polarity	Standard	Standard

Low PIM 4.3-10 Female (Jack) to SMA Male (Plug) Adapter



FMAD1703

Material Specifications

Description	Connector 1		Connector 2	
	Material	Plating	Material	Plating
Type	4.3-10 Female		SMA Male	
Contact	Beryllium Copper	Silver	Beryllium Copper	Silver
Insulation	PTFE		PTFE	
Outer Conductor	Bronze	Silver		
Body	Brass	Tri-Metal	Brass	Tri-Metal
Coupling Nut			Brass	Tri-Metal

Environmental Specifications

Temperature

Operating Range -40 to +155 °C

Environmental Specification Notes:
IEC 61169-15/54

Compliance Certifications (see [product page](#) for current document)

Plotted and Other Data

Low PIM 4.3-10 Female (Jack) to SMA Male (Plug) Adapter from Fairview Microwave is in-stock and available to ship same-day. All of our RF/microwave products are available off-the-shelf from our ISO 9001:2008 certified facilities in Lewisville, Texas. Fairview Microwave is RF on-demand.

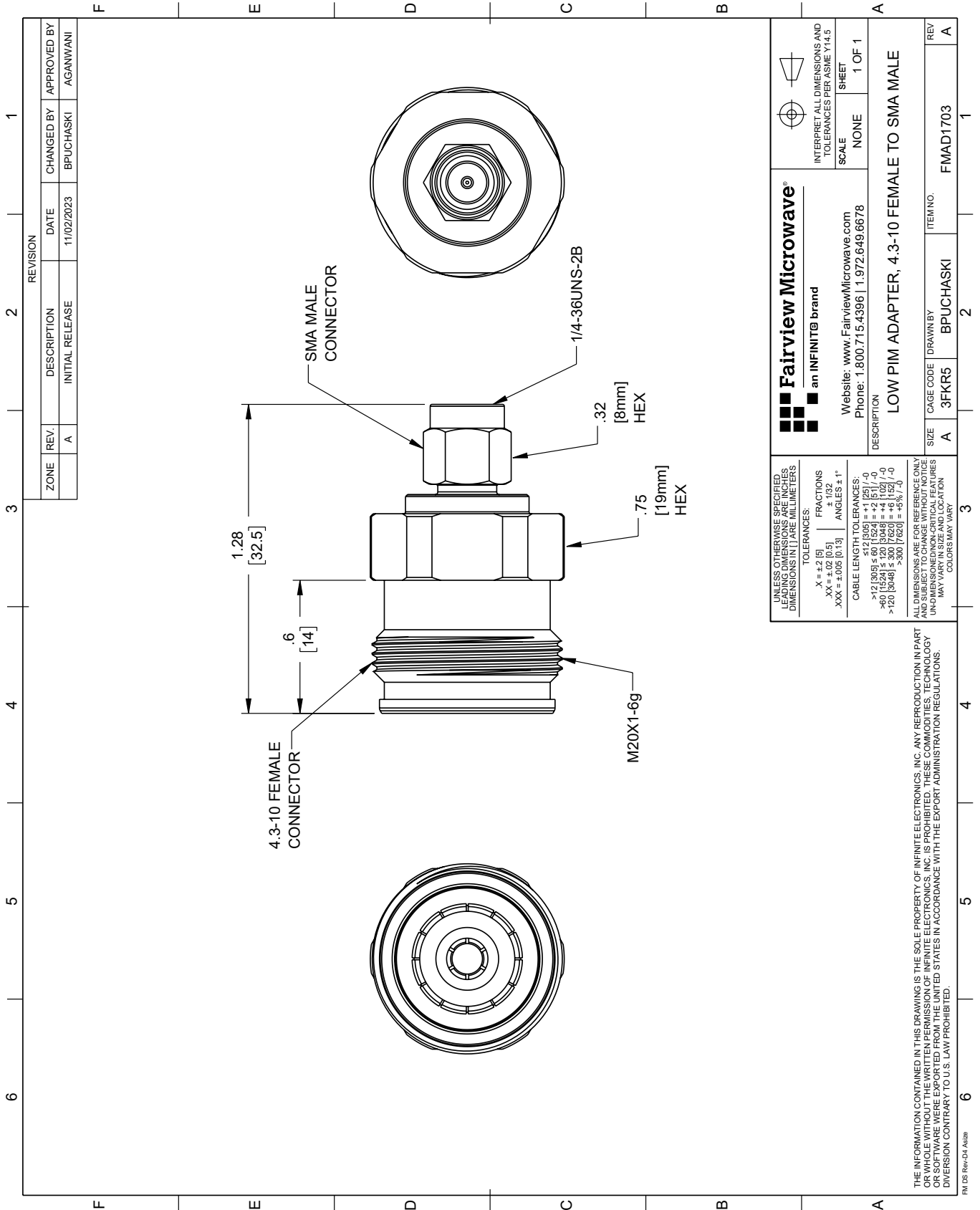
For additional information on this product, please click the following link: [Low PIM 4.3-10 Female \(Jack\) to SMA Male \(Plug\) Adapter FMAD1703](#)

URL: <https://www.fairviewmicrowave.com/low-pim-4.3-10-female-to-sma-male-adapter-fmad1703-p.aspx>

The information contained within this document is accurate to the best of our knowledge and representative of the part described herein. It may be necessary to make modifications to the part and/or the documentation of the part in order to implement improvements. Fairview Microwave reserves the right to make such changes as required. Unless otherwise stated, all specifications are nominal. Fairview Microwave does not make any representation or warranty regarding the suitability of the part described herein for any particular purpose, and Fairview Microwave does not assume liability arising out of the use of any part or document.

FMAD1703 CAD Drawing

Low PIM 4.3-10 Female (Jack) to SMA Male (Plug) Adapter



REVISION		DATE	CHANGED BY	APPROVED BY
ZONE	REV.	INITIAL RELEASE		
	A	11/02/2023	BPUCHASKI	AGANWANI

 an INFINIT® brand Website: www.FairviewMicrowave.com Phone: 1.800.715.4396 1.972.649.6678		INTERPRET ALL DIMENSIONS AND TOLERANCES PER ASME Y14.5 SCALE: NONE SHEET: 1 OF 1
DESCRIPTION: LOW PIM ADAPTER, 4.3-10 FEMALE TO SMA MALE		
SIZE	CAGE CODE	ITEM NO.
A	3FKR5	FMAD1703
REV	A	

UNLESS OTHERWISE SPECIFIED, LEADING DIMENSIONS ARE IN INCHES. DIMENSIONS IN [] ARE MILLIMETERS.

TOLERANCES:

.X = +.2 [5] FRACTIONS ± 1/32
 .XX = ±.02 [0.5] ANGLES ± 1°
 .XXX = ±.005 [0.13]

CABLE LENGTH TOLERANCES:

>12 [305] ≤ 60 [1524] = +.1 [25] / -0
 >60 [1524] ≤ 120 [3048] = +.4 [102] / -0
 >120 [3048] ≤ 300 [7620] = +.6 [152] / -0

ALL DIMENSIONS ARE FOR REFERENCE ONLY. UNLESS OTHERWISE SPECIFIED, DIMENSIONS MAY VARY IN SIZE AND LOCATION. COLORS MAY VARY.

THE INFORMATION CONTAINED IN THIS DRAWING IS THE SOLE PROPERTY OF INFINITE ELECTRONICS, INC. ANY REPRODUCTION IN PART OR WHOLE WITHOUT THE WRITTEN PERMISSION OF INFINITE ELECTRONICS, INC. IS PROHIBITED. THESE COMMODITIES, TECHNOLOGY OR SOFTWARE WERE EXPORTED FROM THE UNITED STATES IN ACCORDANCE WITH THE EXPORT ADMINISTRATION REGULATIONS. DIVISION CONTRARY TO U.S. LAW PROHIBITED.

FM DS Rev-D4 Alt2