

## Low PIM 4.3-10 Female (Jack) to NEX10 Male (Plug) Adapter



### FMAD1701

#### Configuration

- 4.3-10 Female Connector 1
- NEX10 Male Connector 2
- 50 Ohm
- Low PIM Design
- Straight Body Geometry

#### Features

- Typical PIM levels of -160 dBc
- Silver Plated Beryllium Copper Contact
- Max of VSWR 1.15:1 at 3GHz

#### Applications

- Enables Between Series Connections
- General Purpose Test
- Low PIM Applications

#### Description

4.3-10 female to NEX10 male adapter part number FMAD1701 from Fairview Microwave is in-stock and ships same day. This Fairview 4.3-10 to NEX10 adapter has a female to male gender configuration in a low PIM design. FMAD1701 4.3-10 female to NEX10 male adapter operates to 6 GHz. The Fairview Microwave RF adapter provides a passive intermodulation of -160 dBc typical.

RF adapters can be used to enable connections between two connector types that would otherwise not mate. Certain RF adapter configurations can also be used to protect connectors on expensive equipment where the number of connect and disconnect cycles is high. An RF, microwave, or millimeter wave adapter is connected to the equipment and the commonly changed connection is made with the adapter which can be easily replaced when it wears out after high usage; such adapters are referred to as connector savers. Fairview Microwave also offers bulkhead, panel mount, hermetically sealed, reverse polarity, and isolated ground adapter varieties to serve all of your RF, microwave and millimeter wave needs.

#### Electrical Specifications

Description	Minimum	Typical	Maximum	Units
Frequency Range	DC		6	GHz
Impedance		50 Ohm		
Passive Intermodulation		-160		dBc
Dielectric Withstanding Voltage (AC)			1,000	Vrms

#### Mechanical Specifications

##### Size

Length	1.57 in [40.00 mm]
Width	0.79 in [20.00 mm]
Height	0.79 in [20.00 mm]
Weight	0.09 lbs [39.62 g]

Description	Connector 1	Connector 2
Type	4.3-10 Female	NEX10 Male
Polarity	Standard	Standard

## Low PIM 4.3-10 Female (Jack) to NEX10 Male (Plug) Adapter



### FMAD1701

#### Material Specifications

Description	Connector 1		Connector 2	
	Material	Plating	Material	Plating
Type	4.3-10 Female		NEX10 Male	
Contact	Beryllium Copper	Silver	Beryllium Copper	Silver
Insulation	PTFE		PTFE	
Outer Conductor	Bronze	Tri-Metal		
Body	Brass	Tri-Metal	Brass	Tri-Metal
Coupling Nut	Brass	Tri-Metal	Brass	Tri-Metal

#### Environmental Specifications

##### Temperature

Operating Range -40 to +155 °C

**Compliance Certifications** (see [product page](#) for current document)

#### Plotted and Other Data

Low PIM 4.3-10 Female (Jack) to NEX10 Male (Plug) Adapter from Fairview Microwave is in-stock and available to ship same-day. All of our RF/microwave products are available off-the-shelf from our ISO 9001:2008 certified facilities in Lewisville, Texas. Fairview Microwave is RF on-demand.

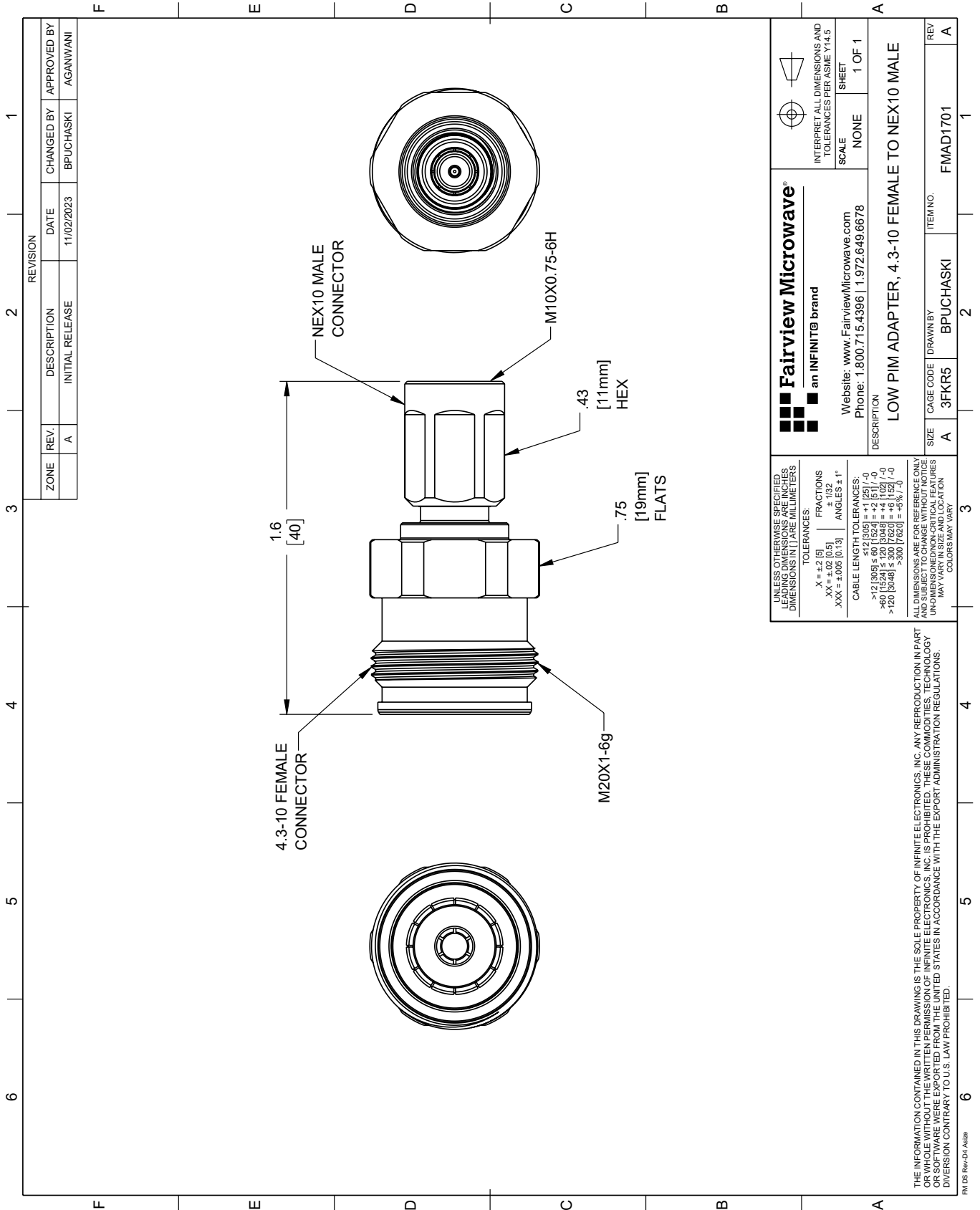
For additional information on this product, please click the following link: [Low PIM 4.3-10 Female \(Jack\) to NEX10 Male \(Plug\) Adapter FMAD1701](#)

URL: <https://www.fairviewmicrowave.com/low-pim-4.3-10-female-to-nex10-male-adapter-fmad1701-p.aspx>

The information contained within this document is accurate to the best of our knowledge and representative of the part described herein. It may be necessary to make modifications to the part and/or the documentation of the part in order to implement improvements. Fairview Microwave reserves the right to make such changes as required. Unless otherwise stated, all specifications are nominal. Fairview Microwave does not make any representation or warranty regarding the suitability of the part described herein for any particular purpose, and Fairview Microwave does not assume liability arising out of the use of any part or document.

# FMAD1701 CAD Drawing

Low PIM 4.3-10 Female (Jack) to NEX10 Male (Plug) Adapter



REVISION		DATE	CHANGED BY	APPROVED BY
ZONE	REV.	DESCRIPTION	INITIAL RELEASE	
	A		11/02/2023	BPUCHASKI
		AGANWANI		

 an INFINITIB® brand		Website: <a href="http://www.FairviewMicrowave.com">www.FairviewMicrowave.com</a> Phone: 1.800.715.4396   1.972.649.6678	INTERPRET ALL DIMENSIONS AND TOLERANCES PER ASME Y14.5 SCALE: NONE SHEET: 1 OF 1
DESCRIPTION: LOW PIM ADAPTER, 4.3-10 FEMALE TO NEX10 MALE			
SIZE	CAGE CODE	DRAWN BY	ITEM NO.
A	3FKR5	BPUCHASKI	FMAD1701
REV			A

UNLESS OTHERWISE SPECIFIED, LEADING DIMENSIONS ARE IN INCHES AND DIMENSIONS IN [ ] ARE IN MILLIMETERS.

TOLERANCES:  
 .X = ±.2 [5]      FRACTIONS ± 1/32  
 .XX = ±.02 [0.5]      ANGLES ± 1°  
 .XXX = ±.005 [0.13]

CABLE LENGTH TOLERANCES:  
 ≤ 12 [305] ± .60 [15.24] = ±.2 [5.1] / -0  
 > 12 [305] ≤ 60 [1524] = ±.4 [10.2] / -0  
 > 60 [1524] ≤ 120 [3048] = ±.4 [10.2] / -0  
 > 120 [3048] ≤ 300 [7620] = ±.6 [15.24] / -0

ALL DIMENSIONS ARE FOR REFERENCE ONLY. UNLESS OTHERWISE SPECIFIED, DIMENSIONS MAY VARY IN SIZE AND LOCATION. COLORS MAY VARY.

THE INFORMATION CONTAINED IN THIS DRAWING IS THE SOLE PROPERTY OF INFINITE ELECTRONICS, INC. ANY REPRODUCTION IN PART OR WHOLE WITHOUT THE WRITTEN PERMISSION OF INFINITE ELECTRONICS, INC. IS PROHIBITED. THESE COMMODITIES, TECHNOLOGY OR SOFTWARE WERE EXPORTED FROM THE UNITED STATES IN ACCORDANCE WITH THE EXPORT ADMINISTRATION REGULATIONS. DIVERSION CONTRARY TO U.S. LAW PROHIBITED.

FM DS Rev-D4 A42b