

Hermetically Sealed 2.92mm Female to 2.92mm Female Bulkhead Adapter MIL-STD-202, Method 206 40GHz VSWR1.35, MIL-STD-348B

Hermetically sealed 2.92mm female to 2.92mm female bulkhead adapter part number FMAD1344 from Fairview Microwave is in-stock and ships same day. This Fairview 2.92mm to 2.92mm adapter has a female to female gender configuration and is built of durable stainless steel. FMAD1344 2.92mm female to 2.92mm female adapter operates to 40 GHz. The Fairview Microwave RF adapter provides good VSWR of 1.35:1 maximum. The 2.92mm connector mates mechanically with commercially available SMA and 3.5mm connectors. Our RF 2.92mm to 2.92mm bulkhead adapter allows designers to create external connections on their product enclosures, and can be used in a variety of other rack mount and panel mount applications. The Fairview Microwave hermetic 2.92mm to 2.92mm adapter prevents the leakage of gases, making it suitable for high pressure or vacuum applications or whenever an airtight seal is required.

RF adapters can be used to enable connections between two connector types that would otherwise not mate. Certain RF adapter configurations can also be used to protect connectors on expensive equipment where the number of connect and disconnect cycles is high. An RF, microwave, or millimeter wave adapter is connected to the equipment and the commonly changed connection is made with the adapter which can be easily replaced when it wears out after high usage; such adapters are referred to as connector savers. Fairview Microwave also offers bulkhead, panel mount, hermetically sealed, reverse polarity, and isolated ground adapter varieties to serve all of your RF, microwave and millimeter wave needs.

Electrical Specifications

Description	Min	Typ	Max	Units
Frequency Range	DC		40	GHz
VSWR			1.35:1	
Insertion Loss			0.5	dB
Operating Voltage (AC)			250	Vrms
DWV (AC)			750	Vrms
Insulation Resistance	5,000			MOhms
RF Leakage			100	dB

Mechanical Specifications

Size	
Length	0.89 in [22.61 mm]
Width	0.56 in [14.22 mm]
Height	0.56 in [14.22 mm]
Weight	0.01 lbs [3.63 g]

Description	Connector 1	Connector 2
Type	2.92mm Female	2.92mm Female
Polarity	Standard	Standard
Interface Specification	MIL-STD-348B	MIL-STD-348B
Connector Option	Hermetically Sealed	Hermetically Sealed
Mating Cycles, Min	500	500
Mating Torque	11.47 in-lbs min [1.30 Nm] min	11.47 in-lbs min [1.30 Nm] min
Contact Captivation Axial Force, Min	4.9 lbs [2.22 kg]	4.9 lbs [2.22 kg]



Configuration:

- 2.92mm Female Connector 1
- 2.92mm Female Connector 2
- 50 Ohm
- Straight Body Geometry
- Bulkhead Mount Method

Features:

- VSWR of 1.35:1 max up to 40 GHz
- Hermetically Sealed
- 2.92mm interface meets MIL-STD-348B
- Gold Plated Beryllium Copper Contact

Applications:

- General Purpose Test
- Vacuum Test Environment
- Rack Mounted Equipment

Fairview Microwave
 301 Leora Ln., Suite 100
 Lewisville, TX 75056
 Tel: 1-800-715-4396 / (972) 649-6678
 Fax: (972) 649-6689
www.fairviewmicrowave.com
sales@fairviewmicrowave.com

Coupling Proof Torque 15 in-lbs [1.7 Nm] 15 in-lbs [1.7 Nm]

Material Specifications

Description	Connector 1	Connector 2
Type	2.92mm Female	2.92mm Female
Contact Material	Beryllium Copper	Beryllium Copper
Contact Plating	Gold	Gold
Insulation Material	PEI	PEI
Outer Contact Material	Stainless Steel	Stainless Steel
Outer Contact Plating	Passivated	Passivated
Body Material	Stainless Steel	Stainless Steel
Body Plating	Passivated	Passivated

Environmental Specifications
Temperature

Operating Range	-10 to +165 deg C
Humidity	MIL-STD-202, Method 206
Thermal Shock	MIL-STD-202, Method 107, Condition B
Salt Spray	MIL-STD-202, Method 101, Condition B
Hermetic Seal	1*10 ⁻⁸ cc/sec of HELIUM at 1 ATM

Compliance Certifications (see [product page](#) for current document)

Plotted and Other Data

Notes:

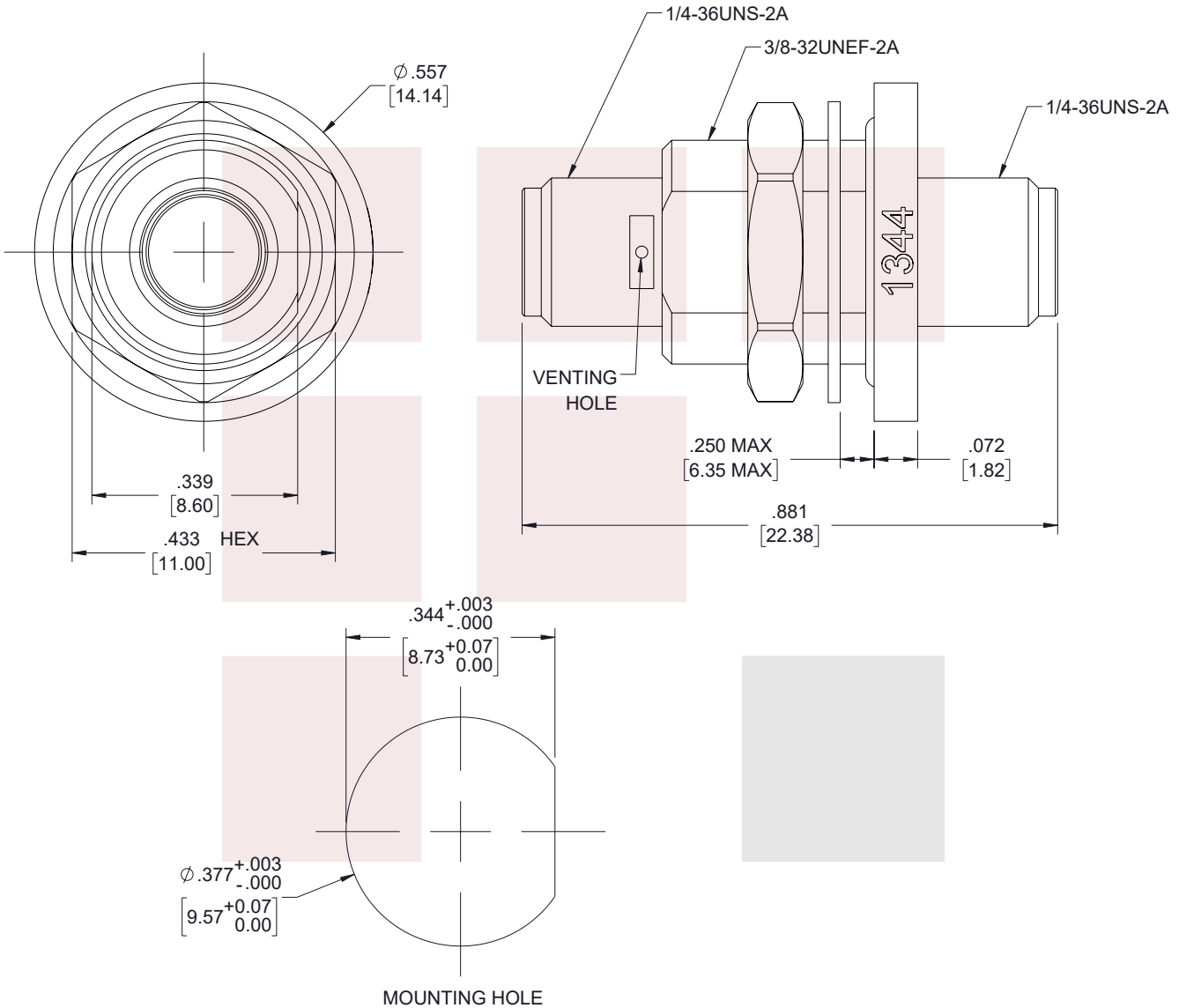
Hermetically Sealed 2.92mm Female to 2.92mm Female Bulkhead Adapter MIL-STD-202, Method 206 40GHz VSWR1.35, MIL-STD-348B from Fairview Microwave is in-stock and available to ship same-day. All of our RF/microwave products are available off-the-shelf from our ISO 9001:2008 certified facilities in Lewisville, Texas. Fairview Microwave is RF on-demand.

For additional information on this product, please click the following link: [Hermetically Sealed 2.92mm Female to 2.92mm Female Bulkhead Adapter MIL-STD-202, Method 206 40GHz VSWR1.35, MIL-STD-348B FMAD1344](#)

URL: <https://www.fairviewmicrowave.com/hermetically-sealed-2.92mm-female-to-2.92mm-female-bulkhead-adapter-mil-std-202-method-206-40ghz-vswr1.35-mil-std-348b-with-stainless-steel-body-fmad1344-p.aspx>

The information contained in this document is accurate to the best of our knowledge and representative of the part described herein. It may be necessary to make modifications to the part and/or the documentation of the part, in order to implement improvements. Fairview Microwave reserves the right to make such changes as required. Unless otherwise stated, all specifications are nominal. Fairview Microwave does not make any representation or warranty regarding the suitability of the part described herein for any particular purpose, and Fairview Microwave does not assume any liability arising out of the use of any part or documentation.

REVISIONS			
REV.	DESCRIPTION	DATE	APPROVED
A	INITIAL RELEASE	12/12/2022	AGANWANI



THESE COMMODITIES, TECHNOLOGY OR SOFTWARE WERE EXPORTED FROM THE UNITED STATES IN ACCORDANCE WITH THE EXPORT ADMINISTRATION REGULATIONS. DIVERSION CONTRARY TO U.S. LAW PROHIBITED.

<p>Fairview Microwave an INFINIT[®] brand</p>	<p>UNLESS OTHERWISE SPECIFIED LEADING DIMENSIONS ARE INCHES DIMENSIONS IN [] ARE MILLIMETERS</p>		<p>THIRD-ANGLE PROJECTION</p>	
	<p>TOLERANCES:</p> <p>.X = ±.2 [5.08] FRACTIONS ± 1/32 .XX = ±.02 [.51] ANGLES ± 1° .XXX = ±.005 [.13]</p>		<p>CABLE LENGTH (L) TOLERANCES:</p> <p>L ≤ 12 [305] = +1 [25] / -0 12 [305] < L ≤ 60 [1524] = +2 [51] / -0 60 [1524] < L ≤ 120 [3048] = +4 [102] / -0 120 [3048] < L ≤ 300 [7620] = +6 [152] / -0 300 [7620] < L = +5%L / -0</p>	
TITLE	ALL DIMENSIONS SHOWN ARE FOR REFERENCE ONLY.			SHEET 1 OF 1
SIZE A	CAGE CODE 3FKR5	DRAWN BY HBAKKE	ITEM NO. FMAD1344	SCALE N/A
			REV A	

T-Rev.D