

RA 1.85mm Male to 1.85mm Female Adapter with Passivated Stainless Steel Body

RA 1.85mm male to 1.85mm female adapter part number FMAD1276 from Fairview Microwave is in-stock and ships same day. This Fairview 1.85mm to 1.85mm adapter has a male to female gender configuration and is built of durable stainless steel. FMAD1276 1.85mm male to 1.85mm female adapter operates to 67 GHz. The Fairview Microwave RF adapter provides good VSWR of 1.35:1 maximum. The 1.85mm connector mates mechanically with commercially available 2.4mm connectors. This right angle 1.85mm adapter allows for easier connections in tight spaces.

RF adapters can be used to enable connections between two connector types that would otherwise not mate. Certain RF adapter configurations can also be used to protect connectors on expensive equipment where the number of connect and disconnect cycles is high. An RF, microwave, or millimeter wave adapter is connected to the equipment and the commonly changed connection is made with the adapter which can be easily replaced when it wears out after high usage; such adapters are referred to as connector savers. Fairview Microwave also offers bulkhead, panel mount, hermetically sealed, reverse polarity, and isolated ground adapter varieties to serve all of your RF, microwave and millimeter wave needs.

Electrical Specifications

Description	Min	Typ	Max	Units
Frequency Range	DC		67	GHz
VSWR			1.35:1	

Mechanical Specifications

Size	
Length	0.687 in [17.5 mm]
Width	0.313 in [7.95 mm]
Height	0.597 in [15.16 mm]
Weight	0.216 lbs [97.98 g]

Description	Connector 1	Connector 2
Type	1.85mm Male	1.85mm Female
Polarity	Standard	Standard

Material Specifications

Description	Connector 1	Connector 2
Type	1.85mm Male	1.85mm Female
Contact Material	Beryllium Copper	Beryllium Copper
Contact Plating	Gold	Gold
Contact Plating Spec.	50 µin	50 µin
Insulation Material	PEI	PEI
Outer Contact Material		Passivated Stainless Steel
Body Material	Passivated Stainless Steel	Passivated Stainless Steel
Coupling Nut Material	Passivated Stainless Steel	



Configuration:

- 1.85mm Male Connector 1
- 1.85mm Female Connector 2
- 50 Ohm
- Right Angle Body Geometry

Features:

- VSWR of 1.35:1 max up to 67 GHz
- 50 µin contact plating
- Gold Plated Beryllium Copper Contact

Applications:

- General Purpose Test

Fairview Microwave
 301 Leora Ln., Suite 100
 Lewisville, TX 75056
 Tel: 1-800-715-4396 / (972) 649-6678
 Fax: (972) 649-6689
www.fairviewmicrowave.com
sales@fairviewmicrowave.com

Compliance Certifications (see [product page](#) for current document)

Plotted and Other Data

Notes:

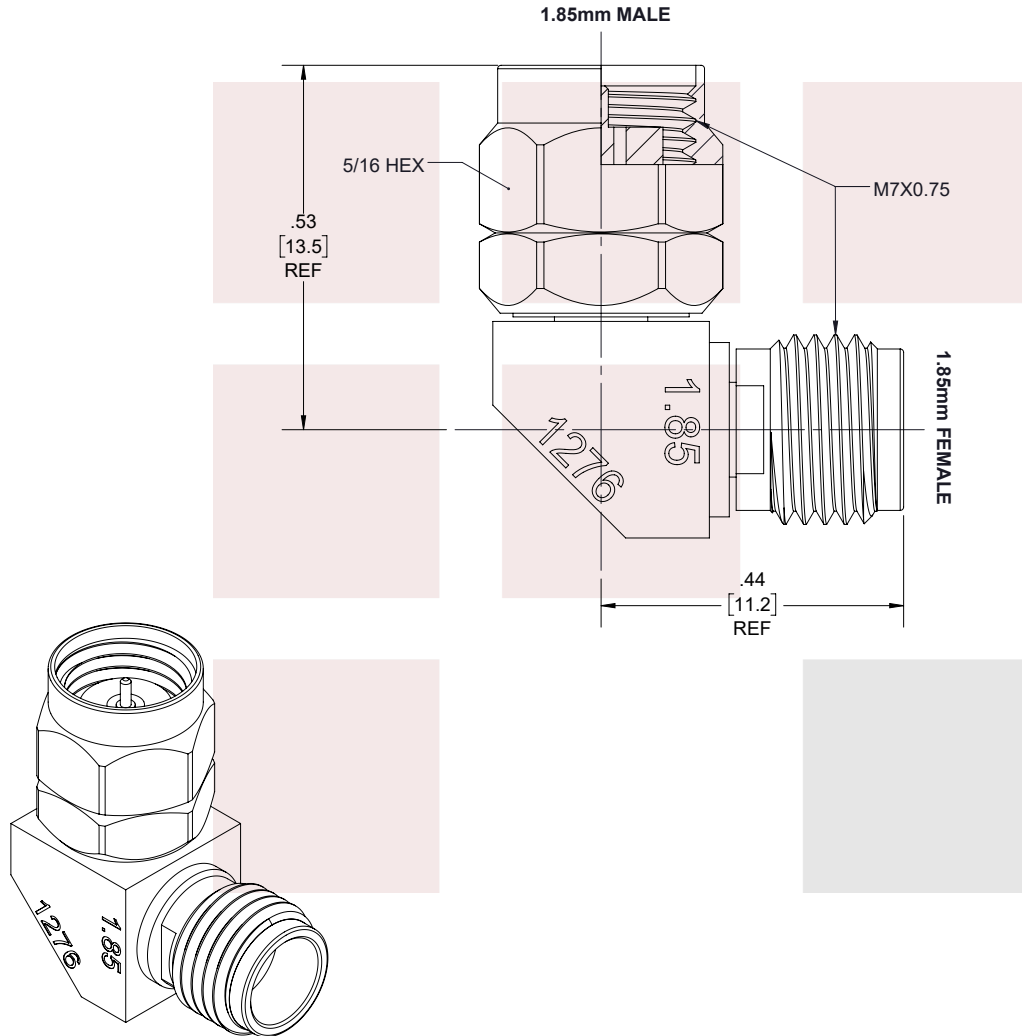
RA 1.85mm Male to 1.85mm Female Adapter with Passivated Stainless Steel Body from Fairview Microwave is in-stock and available to ship same-day. All of our RF/microwave products are available off-the-shelf from our ISO 9001:2008 certified facilities in Lewisville, Texas. Fairview Microwave is RF on-demand.

For additional information on this product, please click the following link: [RA 1.85mm Male to 1.85mm Female Adapter with Passivated Stainless Steel Body FMAD1276](#)

URL: <https://www.fairviewmicrowave.com/ra-1.85mm-male-to-1.85mm-female-adapter-with-passivated-stainless-steel-body-fmad1276-p.aspx>

The information contained in this document is accurate to the best of our knowledge and representative of the part described herein. It may be necessary to make modifications to the part and/or the documentation of the part, in order to implement improvements. Fairview Microwave reserves the right to make such changes as required. Unless otherwise stated, all specifications are nominal. Fairview Microwave does not make any representation or warranty regarding the suitability of the part described herein for any particular purpose, and Fairview Microwave does not assume any liability arising out of the use of any part or documentation.

REVISIONS			
REV.	DESCRIPTION	DATE	APPROVED
A	INITIAL RELEASE	8/16/2021	A. GANWANI



THESE COMMODITIES, TECHNOLOGY OR SOFTWARE WERE EXPORTED FROM THE UNITED STATES IN ACCORDANCE WITH THE EXPORT ADMINISTRATION REGULATIONS. DIVERSION CONTRARY TO U.S. LAW PROHIBITED.

TITLE
RA 1.85mm Male to 1.85mm Female Adapter with Passivated Stainless Steel Body

UNLESS OTHERWISE SPECIFIED LEADING DIMENSIONS ARE INCHES DIMENSIONS IN [] ARE MILLIMETERS		THIRD-ANGLE PROJECTION	
TOLERANCES:		CABLE LENGTH (L) TOLERANCES:	
.X = ±.2 [5.08]	FRACTIONS ± 1/32	L ≤ 12 [305] = +1 [25] / -0	THE INFORMATION AND DESIGN IN THIS DOCUMENT IS THE PROPERTY OF FAIRVIEW MICROWAVE CORPORATION. ALL RIGHTS RESERVED. SHEET 1 OF 1 SCALE N/A
.XX = ±.02 [.51]	ANGLES ± 1°	12 [305] < L ≤ 60 [1524] = +2 [51] / -0	
.XXX = ±.005 [.13]		60 [1524] < L ≤ 120 [3048] = +4 [102] / -0	
		120 [3048] < L ≤ 300 [7620] = +6 [152] / -0 300 [7620] < L = +5%L / -0	
ALL DIMENSIONS SHOWN ARE FOR REFERENCE ONLY.			
SIZE A	CAGE CODE 3FKR5	DRAWN BY K.DANG	ITEM NO. FMAD1276
			REV A

T-Rev.D