

7-16 DIN Male to 2.2-5 Male Adapter, Low PIM

7/16 DIN male to 2.2-5 male adapter part number FMAD1274 from Fairview Microwave is in-stock and ships same day. This Fairview 7/16 DIN to 2.2-5 adapter has a male to male gender configuration in a low PIM design. FMAD1274 7/16 DIN male to 2.2-5 male adapter operates to 8 GHz. The Fairview Microwave RF adapter provides excellent VSWR of 1.25: 1 maximum and passive intermodulation of -160 dBc typical.

RF adapters can be used to enable connections between two connector types that would otherwise not mate. Certain RF adapter configurations can also be used to protect connectors on expensive equipment where the number of connect and disconnect cycles is high. An RF, microwave, or millimeter wave adapter is connected to the equipment and the commonly changed connection is made with the adapter which can be easily replaced when it wears out after high usage; such adapters are referred to as connector savers. Fairview Microwave also offers bulkhead, panel mount, hermetically sealed, reverse polarity, and isolated ground adapter varieties to serve all of your RF, microwave and millimeter wave needs.

Electrical Specifications

Description	Min	Typ	Max	Units
Frequency Range	DC		8	GHz
VSWR			1.25: 1	
Passive Intermodulation		-160		dBc
DWV (AC)			750	Vrms

Mechanical Specifications

Size		
Length		1.700 in [43.2 mm]
Width		1.38 in [35.05 mm]
Weight		0.25 lbs [113.4 g]

Description	Connector 1	Connector 2
Type	7/16 DIN Male	2.2-5 Male
Polarity	Standard	Standard

Material Specifications

Description	Connector 1	Connector 2
Type	7/16 DIN Male	2.2-5 Male
Contact Material	Brass	Brass
Contact Plating	Silver	Silver
Insulation Material	PTFE	PTFE
Body Material	Brass	Brass
Body Plating	Tri-Metal	Tri-Metal
Coupling Nut Material	Brass	Brass
Coupling Nut Plating	Tri-Metal	Tri-Metal



Configuration:

- 7/16 DIN Male Connector 1
- 2.2-5 Male Connector 2
- 50 Ohm
- Low PIM Design
- Straight Body Geometry

Features:

- VSWR of 1.25: 1 max up to 8 GHz
- Typical PIM levels of -160 dBc
- Silver Plated Brass Contact
- VSWR of 1.25: 1 max up to 8 GHz
- PIM levels better than -160 dBc
- Silver Plated Bronze Contact
- Low Coupling Torque
- Corrosion Resistant Tri-Metal finish

Applications:

- Enables Between Series Connections
- General Purpose Test
- Low PIM Applications
- Enables Between Series Connections
- General Purpose Test
- Low PIM Applications
- Mobile Communications Systems
- Base Stations
- Distributed Antenna Systems
- Small Cells
- Feeder Cables

Fairview Microwave
301 Leora Ln., Suite 100
Lewisville, TX 75056
Tel: 1-800-715-4396 / (972) 649-6678
Fax: (972) 649-6689
www.fairviewmicrowave.com
sales@fairviewmicrowave.com

Environmental Specifications

Temperature

Operating Range -40 to +155 deg C

Compliance Certifications (see [product page](#) for current document)

Plotted and Other Data

Notes:

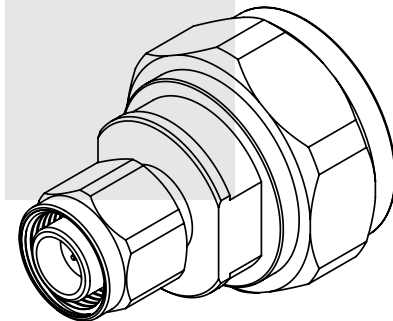
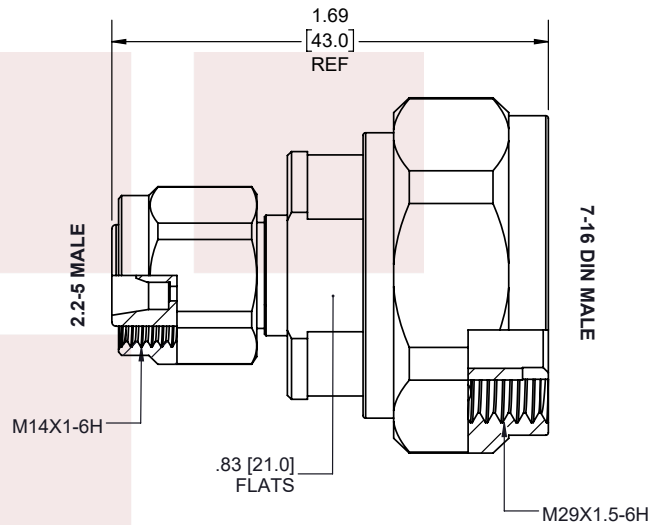
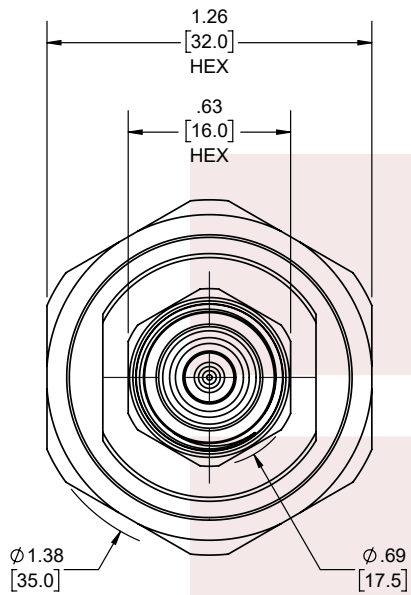
7-16 DIN Male to 2.2-5 Male Adapter, Low PIM from Fairview Microwave is in-stock and available to ship same-day. All of our RF/microwave products are available off-the-shelf from our ISO 9001:2008 certified facilities in Lewisville, Texas. Fairview Microwave is RF on-demand.

For additional information on this product, please click the following link: [7-16 DIN Male to 2.2-5 Male Adapter, Low PIM FMAD1274](#)

URL: <https://www.fairviewmicrowave.com/low-pim-7-16-din-male-2.2-5-male-adapter-fmad1274-p.aspx>

The information contained in this document is accurate to the best of our knowledge and representative of the part described herein. It may be necessary to make modifications to the part and/or the documentation of the part, in order to implement improvements. Fairview Microwave reserves the right to make such changes as required. Unless otherwise stated, all specifications are nominal. Fairview Microwave does not make any representation or warranty regarding the suitability of the part described herein for any particular purpose, and Fairview Microwave does not assume any liability arising out of the use of any part or documentation.

REVISIONS			
REV.	DESCRIPTION	DATE	APPROVED
A	INITIAL RELEASE	6/25/2021	A. GANWANI



THESE COMMODITIES, TECHNOLOGY OR SOFTWARE WERE EXPORTED FROM THE UNITED STATES IN ACCORDANCE WITH THE EXPORT ADMINISTRATION REGULATIONS. DIVERSION CONTRARY TO U.S. LAW PROHIBITED.

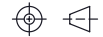
TITLE
7-16 DIN Male to 2.2-5 Male Adapter, Low PIM

UNLESS OTHERWISE SPECIFIED LEADING DIMENSIONS ARE INCHES
DIMENSIONS IN [] ARE MILLIMETERS

TOLERANCES: CABLE LENGTH (L) TOLERANCES:

.X = ± .2 [5.08]	FRACTIONS	L ≤ 12 [305] = +1 [25] / -0
.XX = ± .02 [.51]	± 1/32	12 [305] < L ≤ 60 [1524] = +2 [51] / -0
.XXX = ± .005 [.13]	ANGLES ± 1°	60 [1524] < L ≤ 120 [3048] = +4 [102] / -0
		120 [3048] < L ≤ 300 [7620] = +6 [152] / -0
		300 [7620] < L = +5%L / -0

THIRD-ANGLE PROJECTION



THE INFORMATION AND DESIGN IN THIS DOCUMENT IS THE PROPERTY OF FAIRVIEW MICROWAVE CORPORATION. ALL RIGHTS RESERVED.

SHEET 1 OF 1

ALL DIMENSIONS SHOWN ARE FOR REFERENCE ONLY.

SCALE N/A

SIZE A	CAGE CODE 3FKR5	DRAWN BY K.DANG	ITEM NO. FMAD1274	REV A
-----------	--------------------	--------------------	----------------------	----------

T-Rev.D