

Precision TNC Male (Plug) to TNC Female (Jack) Adapter, Passivated Stainless Steel Body, 1.15 VSWR

TNC male to TNC female adapter part number FMAD1239 from Fairview Microwave is in-stock and ships same day. This Fairview TNC to TNC adapter has a male to female gender configuration in a precision design. FMAD1239 TNC male to TNC female adapter operates to 18 GHz. The Fairview Microwave RF adapter provides excellent VSWR of 1.15:1 maximum. Our TNC to TNC RF adapter can also be used as a connector saver to extend equipment life.

RF adapters can be used to enable connections between two connector types that would otherwise not mate. Certain RF adapter configurations can also be used to protect connectors on expensive equipment where the number of connect and disconnect cycles is high. An RF, microwave, or millimeter wave adapter is connected to the equipment and the commonly changed connection is made with the adapter which can be easily replaced when it wears out after high usage; such adapters are referred to as connector savers. Fairview Microwave also offers bulkhead, panel mount, hermetically sealed, reverse polarity, and isolated ground adapter varieties to serve all of your RF, microwave and millimeter wave needs.

Electrical Specifications

Description	Min	Typ	Max	Units
Frequency Range	DC		18	GHz
VSWR			1.15:1	
Insertion Loss			0.22	dB

Electrical Specification Notes:
Values at 25°C, sea level.
Insertion Loss (dB) = $0.05 * \sqrt{\text{fGHz}}$.

Mechanical Specifications

Size	
Length	1.031 in [26.2 mm]
Width	0.625 in [15.88 mm]

Description	Connector 1	Connector 2
Type	TNC Male	TNC Female
Polarity	Standard	Standard
Mating Cycles	500	
Hex Size	9/16 in.	

Material Specifications

Description	Connector 1	Connector 2
Type	TNC Male	TNC Female
Contact Material	Beryllium Copper	Beryllium Copper
Contact Plating	Gold over Nickel	Gold over Nickel
Insulation Material	PTFE	PTFE
Outer Contact Material		Passivated Stainless Steel
Body Material	Passivated Stainless Steel	
Gasket Material	Silicone Rubber	
Coupling Nut Material	Passivated Stainless Steel	



Configuration:

- TNC Male Connector 1
- TNC Female Connector 2
- 50 Ohm
- Precision Design
- Straight Body Geometry

Features:

- VSWR of 1.15:1 max up to 18 GHz
- Gold over Nickel Plated Beryllium Copper Contact

Applications:

- Connector Saver
- General Purpose Test
- Precision Test & Measurement

Fairview Microwave
301 Leora Ln., Suite 100
Lewisville, TX 75056
Tel: 1-800-715-4396 / (972) 649-6678
Fax: (972) 649-6689
www.fairviewmicrowave.com
sales@fairviewmicrowave.com

Environmental Specifications

Temperature

Operating Range -65 to +165 deg C

Compliance Certifications (see [product page](#) for current document)

Plotted and Other Data

Notes:

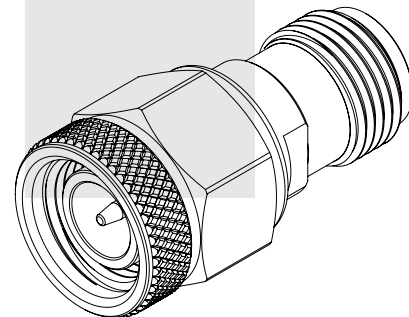
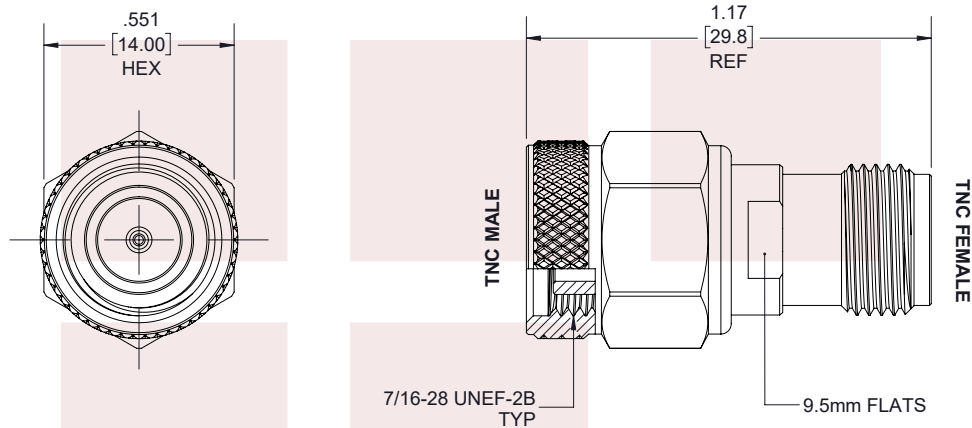
Precision TNC Male (Plug) to TNC Female (Jack) Adapter, Passivated Stainless Steel Body, 1.15 VSWR from Fairview Microwave is in-stock and available to ship same-day. All of our RF/microwave products are available off-the-shelf from our ISO 9001:2008 certified facilities in Lewisville, Texas. Fairview Microwave is RF on-demand.

For additional information on this product, please click the following link: [Precision TNC Male \(Plug\) to TNC Female \(Jack\) Adapter, Passivated Stainless Steel Body, 1.15 VSWR FMAD1239](#)

URL: <https://www.fairviewmicrowave.com/precision-tnc-male-tnc-female-adapter-fmad1239-p.aspx>

The information contained in this document is accurate to the best of our knowledge and representative of the part described herein. It may be necessary to make modifications to the part and/or the documentation of the part, in order to implement improvements. Fairview Microwave reserves the right to make such changes as required. Unless otherwise stated, all specifications are nominal. Fairview Microwave does not make any representation or warranty regarding the suitability of the part described herein for any particular purpose, and Fairview Microwave does not assume any liability arising out of the use of any part or documentation.

REVISIONS			
REV.	DESCRIPTION	DATE	APPROVED
A	INITIAL RELEASE	1/8/2020	S.ELLIS



THESE COMMODITIES, TECHNOLOGY OR SOFTWARE WERE EXPORTED FROM THE UNITED STATES IN ACCORDANCE WITH THE EXPORT ADMINISTRATION REGULATIONS. DIVERSION CONTRARY TO U.S. LAW PROHIBITED.

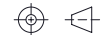
TITLE
Precision TNC Male (Plug) to TNC Female (Jack)
Adapter, Passivated Stainless Steel Body, 1.15 VSWR

UNLESS OTHERWISE SPECIFIED LEADING DIMENSIONS ARE INCHES
DIMENSIONS IN [] ARE MILLIMETERS

TOLERANCES: CABLE LENGTH (L) TOLERANCES:

.X = ±.2 [5.08]	FRACTIONS	L ≤ 12 [305] = +1 [25] / -0
.XX = ±.02 [.51]	± 1/32	12 [305] < L ≤ 60 [1524] = +2 [51] / -0
.XXX = ±.005 [.13]	ANGLES ± 1°	60 [1524] < L ≤ 120 [3048] = +4 [102] / -0
		120 [3048] < L ≤ 300 [7620] = +6 [152] / -0
		300 [7620] < L = +5%L / -0

THIRD-ANGLE PROJECTION



THE INFORMATION AND DESIGN IN THIS DOCUMENT IS THE PROPERTY OF FAIRVIEW MICROWAVE CORPORATION. ALL RIGHTS RESERVED.

SHEET 1 OF 1

ALL DIMENSIONS SHOWN ARE FOR REFERENCE ONLY.

SCALE N/A

SIZE A	CAGE CODE 3FKR5	DRAWN BY K.DANG	ITEM NO. FMAD1239	REV A
-----------	--------------------	--------------------	----------------------	----------

T-Rev.D