

Miter RA 2.4mm Male to 2.4mm Female Adapter with Passivated Stainless Steel Body

Miter RA 2.4mm male to 2.4mm female adapter part number FMAD1198 from Fairview Microwave is in-stock and ships same day. This Fairview 2.4mm to 2.4mm adapter has a male to female gender configuration and is built of durable stainless steel. FMAD1198 2.4mm male to 2.4mm female adapter operates to 50 GHz. The Fairview Microwave RF adapter provides good VSWR of 1.35:1 maximum. The 2.4mm connector mates mechanically with commercially available 1.85mm (V) connectors. This miter right angle 2.4mm adapter allows for easier connections in tight spaces.

RF adapters can be used to enable connections between two connector types that would otherwise not mate. Certain RF adapter configurations can also be used to protect connectors on expensive equipment where the number of connect and disconnect cycles is high. An RF, microwave, or millimeter wave adapter is connected to the equipment and the commonly changed connection is made with the adapter which can be easily replaced when it wears out after high usage; such adapters are referred to as connector savers. Fairview Microwave also offers bulkhead, panel mount, hermetically sealed, reverse polarity, and isolated ground adapter varieties to serve all of your RF, microwave and millimeter wave needs.

Electrical Specifications

| Description | Min | Typ | Max | Units |
|-----------------|-----|-----|--------|-------|
| Frequency Range | DC | | 50 | GHz |
| VSWR | | | 1.35:1 | |

Electrical Specification Notes:
Values at 25°C, sea level.

Mechanical Specifications

| | |
|-------------|---------------------|
| Size | |
| Length | 0.6 in [16.1 mm] |
| Width | 0.315 in [8 mm] |
| Height | 0.65 in [16.51 mm] |
| Weight | 0.0191 lbs [8.66 g] |

| Description | Connector 1 | Connector 2 |
|---------------|-------------------------------------|--------------|
| Type | 2.4mm Male | 2.4mm Female |
| Polarity | Standard | Standard |
| Mating Cycles | 500 | 500 |
| Hex Size | 5/16 in. | |
| Mating Torque | 8 to 10 in-lbs [0.90 to 1.13 Nm] | |



Configuration:

- 2.4mm Male Connector 1
- 2.4mm Female Connector 2
- 50 Ohm
- Miter Right Angle Body Geometry

Features:

- VSWR of 1.35:1 max up to 50 GHz
- 4 µin minimum contact plating
- Gold over Nickel Plated Beryllium Copper Contact

Applications:

- General Purpose Test

Fairview Microwave
301 Leora Ln., Suite 100
Lewisville, TX 75056
Tel: 1-800-715-4396 / (972) 649-6678
Fax: (972) 649-6689
www.fairviewmicrowave.com
sales@fairviewmicrowave.com

Material Specifications

| Description | Connector 1 | Connector 2 |
|------------------------|----------------------------|----------------------------|
| Type | 2.4mm Male | 2.4mm Female |
| Contact Material | Beryllium Copper | Beryllium Copper |
| Contact Plating | Gold over Nickel | Gold over Nickel |
| Contact Plating Spec. | 4 µin minimum | 4 µin minimum |
| Insulation Material | Oxide-Noryl | Oxide-Noryl |
| Outer Contact Material | | Passivated Stainless Steel |
| Body Material | Passivated Stainless Steel | Passivated Stainless Steel |
| Gasket Material | Silicone | Silicone |
| Coupling Nut Material | Passivated Stainless Steel | |

Environmental Specifications

Temperature

Operating Range -55 to +100 deg C

Compliance Certifications (see [product page](#) for current document)

Plotted and Other Data

Notes:

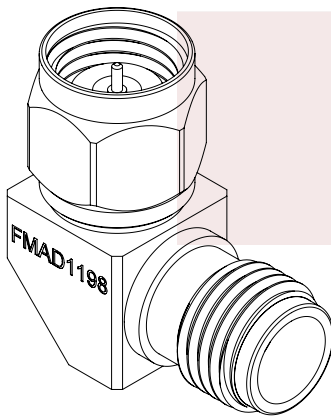
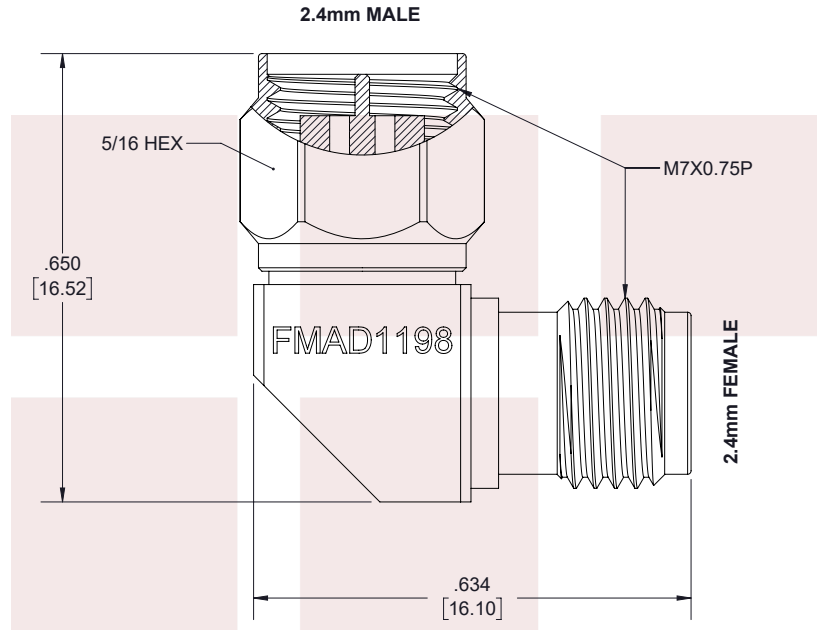
Miter RA 2.4mm Male to 2.4mm Female Adapter with Passivated Stainless Steel Body from Fairview Microwave is in-stock and available to ship same-day. All of our RF/microwave products are available off-the-shelf from our ISO 9001:2008 certified facilities in Lewisville, Texas. Fairview Microwave is RF on-demand.

For additional information on this product, please click the following link: [Miter RA 2.4mm Male to 2.4mm Female Adapter with Passivated Stainless Steel Body FMAD1198](#)

URL: <https://www.fairviewmicrowave.com/ra-2.4mm-male-2.4mm-female-adapter-fmad1198-p.aspx>

The information contained in this document is accurate to the best of our knowledge and representative of the part described herein. It may be necessary to make modifications to the part and/or the documentation of the part, in order to implement improvements. Fairview Microwave reserves the right to make such changes as required. Unless otherwise stated, all specifications are nominal. Fairview Microwave does not make any representation or warranty regarding the suitability of the part described herein for any particular purpose, and Fairview Microwave does not assume any liability arising out of the use of any part or documentation.

| REVISIONS | | | |
|-----------|-----------------|----------|----------|
| REV. | DESCRIPTION | DATE | APPROVED |
| AA | INITIAL RELEASE | 12/06/19 | S.ELLIS |



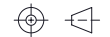
THESE COMMODITIES, TECHNOLOGY OR SOFTWARE WERE EXPORTED FROM THE UNITED STATES IN ACCORDANCE WITH THE EXPORT ADMINISTRATION REGULATIONS. DIVERSION CONTRARY TO U.S. LAW PROHIBITED.

TITLE
Miter RA 2.4mm Male to 2.4mm Female Adapter with Passivated Stainless Steel Body

UNLESS OTHERWISE SPECIFIED LEADING DIMENSIONS ARE INCHES
DIMENSIONS IN [] ARE MILLIMETERS

| TOLERANCES: | | CABLE LENGTH (L) TOLERANCES: | |
|--------------------|------------------|---|--|
| .X = ±.2 [5.08] | FRACTIONS ± 1/32 | L ≤ 12 [305] = +1 [25] / -0 | |
| .XX = ±.02 [.51] | | 12 [305] < L ≤ 60 [1524] = +2 [51] / -0 | |
| .XXX = ±.005 [.13] | ANGLES ± 1° | 60 [1524] < L ≤ 120 [3048] = +4 [102] / -0 | |
| | | 120 [3048] < L ≤ 300 [7620] = +6 [152] / -0 | |
| | | 300 [7620] < L = +5%L / -0 | |

THIRD-ANGLE PROJECTION



THE INFORMATION AND DESIGN IN THIS DOCUMENT IS THE PROPERTY OF FAIRVIEW MICROWAVE CORPORATION. ALL RIGHTS RESERVED.

SHEET 1 OF 1

SCALE N/A

ALL DIMENSIONS SHOWN ARE FOR REFERENCE ONLY.

| | | | | |
|-----------|--------------------|--------------------|-------------------------|----------|
| SIZE A | CAGE CODE 3FKR5 | DRAWN BY K.DANG | PART NUMBER FMAD1198 | REV A |
|-----------|--------------------|--------------------|-------------------------|----------|

T-Rev.D