

## Slide-On MMBX Plug to MMBX Plug Snap-On Adapter 7mm Long Bullet

Slide-on MMBX plug to MMBX plug snap-on adapter part number FMAD1078 from Fairview Microwave is in-stock and ships same day. This Fairview MMBX to MMBX adapter has a plug to plug gender configuration. FMAD1078 MMBX plug to MMBX plug adapter is gold plated and operates to 12.4 GHz. The Fairview Microwave RF adapter provides excellent VSWR of 1.08:1 maximum.

RF adapters can be used to enable connections between two connector types that would otherwise not mate. Certain RF adapter configurations can also be used to protect connectors on expensive equipment where the number of connect and disconnect cycles is high. An RF, microwave, or millimeter wave adapter is connected to the equipment and the commonly changed connection is made with the adapter which can be easily replaced when it wears out after high usage; such adapters are referred to as connector savers. Fairview Microwave also offers bulkhead, panel mount, hermetically sealed, reverse polarity, and isolated ground adapter varieties to serve all of your RF, microwave and millimeter wave needs.

### Electrical Specifications

Description	Min	Typ	Max	Units
Frequency Range	DC		12.4	GHz
VSWR			1.08:1	
Insertion Loss			0.42	dB
Operating Voltage (AC)			330	Vrms
DWV (AC)			1,000	Vrms
Insulation Resistance	1,000			MOhms

### Mechanical Specifications

Size	
Length	0.27 in [6.86 mm]
Width	0.149 in [3.78 mm]
Weight	0.0035 lbs [1.59 g]

Description	Connector 1	Connector 2
Type	MMBX Plug	MMBX Plug
Connection Method	Slide-On	Snap-On
Polarity	Standard	Standard
Mating Cycles	100	100
Contact Captivation Axial Force, Min	2.25 lbs [1.02 Kg]	2.25 lbs [1.02 Kg]



### Configuration:

- Slide-On MMBX Plug Connector 1
- Snap-On MMBX Plug Connector 2
- 50 Ohm
- Straight Body Geometry

### Features:

- VSWR of 1.08:1 max up to 12.4 GHz
- Gold Plated Beryllium Copper Contact
- Snap-On connection method
- Allows up to 4.5°/0.7mm Max of mechanical misalignment

### Applications:

- General Purpose Test
- Circuit board test points
- Blind mate interconnect applications
- Multi circuit board products
- Board to board applications

Fairview Microwave  
1130 Junction Dr. #100  
Allen, TX 75013  
Tel: 1-800-715-4396 / (972) 649-6678  
Fax: (972) 649-6689  
[www.fairviewmicrowave.com](http://www.fairviewmicrowave.com)  
[sales@fairviewmicrowave.com](mailto:sales@fairviewmicrowave.com)

**Material Specifications**

Description	Connector 1	Connector 2
Type	MMBX Plug	MMBX Plug
Contact Material	Beryllium Copper	Beryllium Copper
Contact Plating	Gold	Gold
Insulation Material	PTFE	PTFE
Outer Contact Material	Beryllium Copper	Beryllium Copper
Outer Contact Plating	Gold	Gold
Body Material	Beryllium Copper	Beryllium Copper
Body Plating	Gold	Gold

**Environmental Specifications**

**Temperature**

Operating Range

-55 to +155 deg C

**Compliance Certifications** (see [product page](#) for current document)

**Plotted and Other Data**

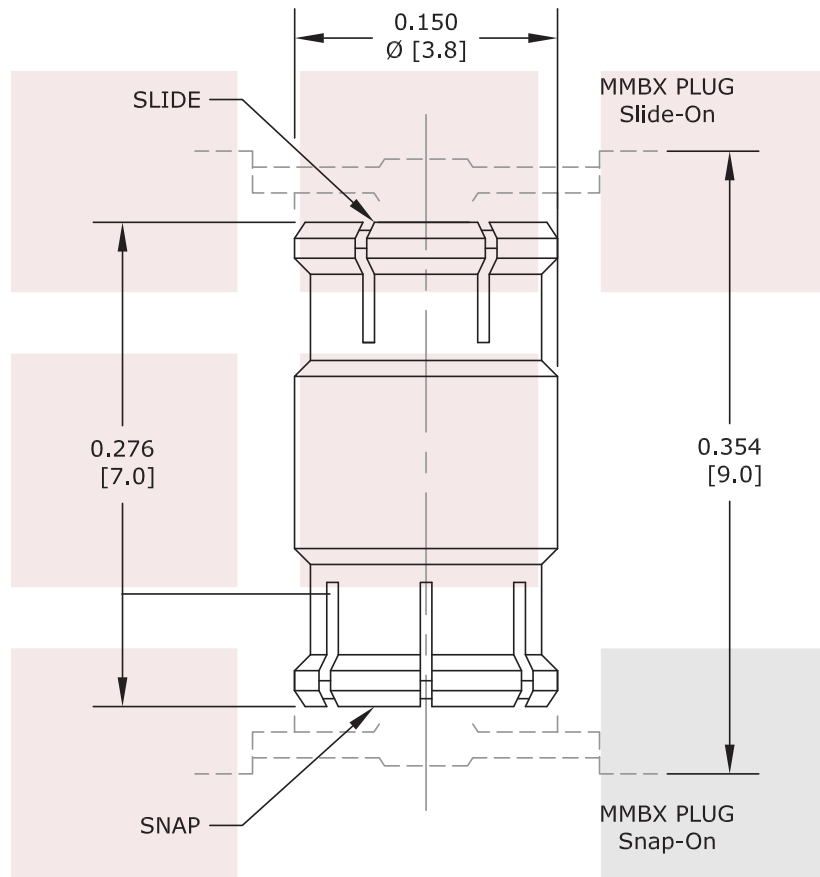
Notes:

Slide-On MMBX Plug to MMBX Plug Snap-On Adapter 7mm Long Bullet from Fairview Microwave is in-stock and available to ship same-day. All of our RF/microwave products are available off-the-shelf from our ISO 9001:2008 certified facilities in Allen, Texas. Fairview Microwave is RF on-demand.

For additional information on this product, please click the following link: [Slide-On MMBX Plug to MMBX Plug Snap-On Adapter 7mm Long Bullet FMAD1078](#)

URL: <https://www.fairviewmicrowave.com/slide-on-mmbx-plug-mmbx-plug-snap-on-adapter-fmad1078-p.aspx>

The information contained in this document is accurate to the best of our knowledge and representative of the part described herein. It may be necessary to make modifications to the part and/or the documentation of the part, in order to implement improvements. Fairview Microwave reserves the right to make such changes as required. Unless otherwise stated, all specifications are nominal. Fairview Microwave does not make any representation or warranty regarding the suitability of the part described herein for any particular purpose, and Fairview Microwave does not assume any liability arising out of the use of any part or documentation.



STANDARD TOLERANCES	
.X	±0.2
.XX	±0.1
.XXX	±0.05

\*STANDARD TOLERANCES APPLY ONLY TO DIMENSIONS IN INCHES

<b>FAIRVIEW MICROWAVE INC.</b> ALLEN, TX 75013 WWW.FAIRVIEWMICROWAVE.COM		NOTES: 1. UNLESS OTHERWISE SPECIFIED ALL DIMENSIONS ARE NOMINAL. 2. ALL SPECIFICATIONS ARE SUBJECT TO CHANGE WITHOUT NOTICE AT ANY TIME. 3. DIMENSIONS ARE IN INCHES [mm].			
TITLE Slide-On MMBX Plug to MMBX Plug Snap-On Adapter 7mm Long Bullet		DWG NO <b>FMAD1078</b>		CAGE CODE <b>3FKR5</b>	
CAD FILE	102416	SHEET	SCALE	N/A	SIZE A 2233