

**SMA Female to MMBX Plug Snap-On Adapter
With Male Center Contact with Beryllium Copper
Body**

SMA female to MMBX plug snap-on adapter part number FMAD1061 from Fairview Microwave is in-stock and ships same day. This Fairview SMA to MMBX adapter has a female to plug gender configuration. FMAD1061 SMA female to MMBX plug adapter is gold plated and operates to 12.4 GHz. The Fairview Microwave RF adapter provides excellent VSWR of 1.08:1 maximum. The SMA connector mates mechanically with commercially available 3.5mm and 2.92mm (K) connectors.

RF adapters can be used to enable connections between two connector types that would otherwise not mate. Certain RF adapter configurations can also be used to protect connectors on expensive equipment where the number of connect and disconnect cycles is high. An RF, microwave, or millimeter wave adapter is connected to the equipment and the commonly changed connection is made with the adapter which can be easily replaced when it wears out after high usage; such adapters are referred to as connector savers. Fairview Microwave also offers bulkhead, panel mount, hermetically sealed, reverse polarity, and isolated ground adapter varieties to serve all of your RF, microwave and millimeter wave needs.

Electrical Specifications

Description	Min	Typ	Max	Units
Frequency Range	DC		12.4	GHz
VSWR			1.08:1	
Insertion Loss			0.42	dB
Operating Voltage (AC)			330	Vrms
DWV (AC)			500	Vrms
Insulation Resistance	1,000			MOhms

Mechanical Specifications

Size	
Length	0.58 in [14.73 mm]
Width	0.25 in [6.35 mm]
Weight	0.009 lbs [4.08 g]

Description	Connector 1	Connector 2
Type	SMA Female	MMBX Plug
Connection Method		Snap-On
Polarity	Standard	Standard
Mating Cycles	500	500
Contact Captivation Axial Force, Min		2.25 lbs [1.02 Kg]



Configuration:

- SMA Female Connector 1
- Snap-On MMBX Plug Connector 2
- 50 Ohm
- Straight Body Geometry

Features:

- VSWR of 1.08:1 max up to 12.4 GHz
- 51µ in. minimum contact plating
- Gold Plated Beryllium Copper Contact
- Snap-On connection method

Applications:

- Enables Between Series Connections
- General Purpose Test
- Circuit board test points

Fairview Microwave
1130 Junction Dr. #100
Allen, TX 75013
Tel: 1-800-715-4396 / (972) 649-6678
Fax: (972) 649-6689
www.fairviewmicrowave.com
sales@fairviewmicrowave.com

Material Specifications

Description	Connector 1	Connector 2
Type	SMA Female	MMBX Plug
Contact Material	Beryllium Copper	Beryllium Copper
Contact Plating	Gold	Gold
Contact Plating Spec.	51µ in. minimum	51µ in. minimum
Insulation Material	PTFE	PTFE
Outer Contact Material	Beryllium Copper	Beryllium Copper
Outer Contact Plating	Gold	Gold
Outer Contact Plating Spec.	8µ in. minimum	8µ in. minimum
Body Material	Beryllium Copper	Beryllium Copper
Body Plating	Gold	Gold
Body Plating Spec.	8µ in. minimum	8µ in. minimum

Environmental Specifications

Temperature

Operating Range -55 to +155 deg C

Compliance Certifications (see [product page](#) for current document)

Plotted and Other Data

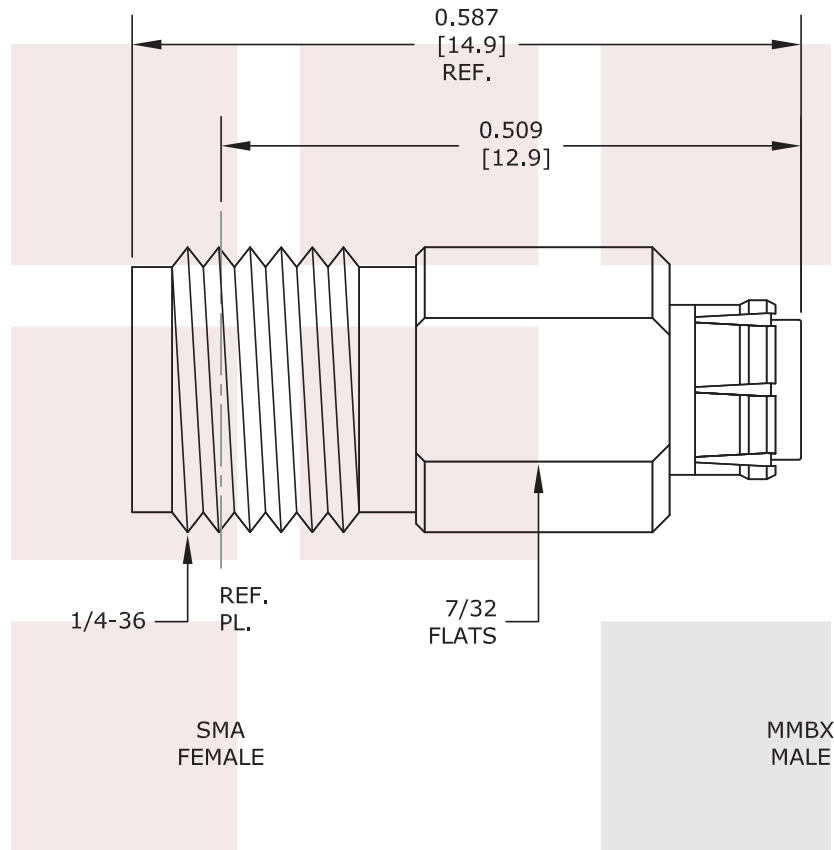
Notes:

SMA Female to MMBX Plug Snap-On Adapter With Male Center Contact with Beryllium Copper Body from Fairview Microwave is in-stock and available to ship same-day. All of our RF/microwave products are available off-the-shelf from our ISO 9001:2008 certified facilities in Allen, Texas. Fairview Microwave is RF on-demand.

For additional information on this product, please click the following link: [SMA Female to MMBX Plug Snap-On Adapter With Male Center Contact with Beryllium Copper Body FMAD1061](#)

URL: <https://www.fairviewmicrowave.com/sma-female-mmbx-plug-snap-on-adapter-fmad1061-p.aspx>

The information contained in this document is accurate to the best of our knowledge and representative of the part described herein. It may be necessary to make modifications to the part and/or the documentation of the part, in order to implement improvements. Fairview Microwave reserves the right to make such changes as required. Unless otherwise stated, all specifications are nominal. Fairview Microwave does not make any representation or warranty regarding the suitability of the part described herein for any particular purpose, and Fairview Microwave does not assume any liability arising out of the use of any part or documentation.



STANDARD TOLERANCES	
.X	±0.2
.XX	±0.1
.XXX	±0.05

*STANDARD TOLERANCES APPLY ONLY TO DIMENSIONS IN INCHES

FAIRVIEW MICROWAVE INC. ALLEN, TX 75013 WWW.FAIRVIEWMICROWAVE.COM		NOTES: 1. UNLESS OTHERWISE SPECIFIED ALL DIMENSIONS ARE NOMINAL. 2. ALL SPECIFICATIONS ARE SUBJECT TO CHANGE WITHOUT NOTICE AT ANY TIME. 3. DIMENSIONS ARE IN INCHES [mm].			
TITLE SMA Female to MMBX Plug Snap-On Adapter With Male Center Contact with Beryllium Copper Body		DWG NO FMAD1061		CAGE CODE 3FKR5	
CAD FILE	082316	SHEET	SCALE	N/A	SIZE A 2233