

## 2.92mm Male (Plug) to 2.4mm Female (Jack) Adapter, Passivated Stainless Steel Body, High Temp, 1.25 VSWR

2.92mm male to 2.4mm female adapter part number FMAD1028 from Fairview Microwave is in-stock and ships same day. This Fairview 2.92mm to 2.4mm adapter has a male to female gender configuration. FMAD1028 2.92mm male to 2.4mm female adapter operates to 40 GHz. The Fairview Microwave RF adapter provides excellent VSWR of 1.25:1 maximum. The 2.92mm connector mates mechanically with commercially available SMA and 3.5mm connectors. The 2.4mm connector mates mechanically with commercially available 1.85mm (V) connectors.

RF adapters can be used to enable connections between two connector types that would otherwise not mate. Certain RF adapter configurations can also be used to protect connectors on expensive equipment where the number of connect and disconnect cycles is high. An RF, microwave, or millimeter wave adapter is connected to the equipment and the commonly changed connection is made with the adapter which can be easily replaced when it wears out after high usage; such adapters are referred to as connector savers. Fairview Microwave also offers bulkhead, panel mount, hermetically sealed, reverse polarity, and isolated ground adapter varieties to serve all of your RF, microwave and millimeter wave needs.

### Electrical Specifications

Description	Min	Typ	Max	Units
Frequency Range	DC		40	GHz
VSWR			1.25:1	
Insertion Loss			0.32	dB

Electrical Specification Notes:  
Values at 25°C, sea level.

### Mechanical Specifications

<b>Size</b>	
Length	0.784 in [19.9 mm]
Width	0.312 in [7.92 mm]
Weight	0.013 lbs [5.9 g]

Description	Connector 1	Connector 2
Type	2.92mm Male	2.4mm Female
Polarity	Standard	Standard
Mating Cycles	500	500
Mating Torque	8 to 10 in-lbs [0.90 to 1.13 Nm]	



### Configuration:

- 2.92mm Male Connector 1
- 2.4mm Female Connector 2
- 50 Ohm
- Straight Body Geometry

### Features:

- VSWR of 1.25:1 max up to 40 GHz
- Contact plating according to MIL-G-45204
- Gold over Nickel Plated Beryllium Copper Contact

### Applications:

- Enables Between Series Connections
- General Purpose Test

Fairview Microwave  
301 Leora Ln., Suite 100  
Lewisville, TX 75056  
Tel: 1-800-715-4396 / (972) 649-6678  
Fax: (972) 649-6689  
[www.fairviewmicrowave.com](http://www.fairviewmicrowave.com)  
[sales@fairviewmicrowave.com](mailto:sales@fairviewmicrowave.com)

**Material Specifications**

Description	Connector 1	Connector 2
Type	2.92mm Male	2.4mm Female
Contact Material	Beryllium Copper	Beryllium Copper
Contact Plating	Gold over Nickel	Gold over Nickel
Contact Plating Spec.	MIL-G-45204	MIL-G-45204
Insulation Material	Oxide-Noryl	Oxide-Noryl
Outer Contact Material		Passivated Stainless Steel
Outer Conductor Contact Spec.		AMS-2700
Body Material	Passivated Stainless Steel	
Body Plating Spec.	AMS-2700	
Coupling Nut Material	Passivated Stainless Steel	
Coupling Nut Plating Spec.	AMS-2700	

**Environmental Specifications**

**Temperature**

Operating Range

-65 to +150 deg C

Vibration

MIL-STD 202, Method 204, Condition D (20 G's)

Salt Spray

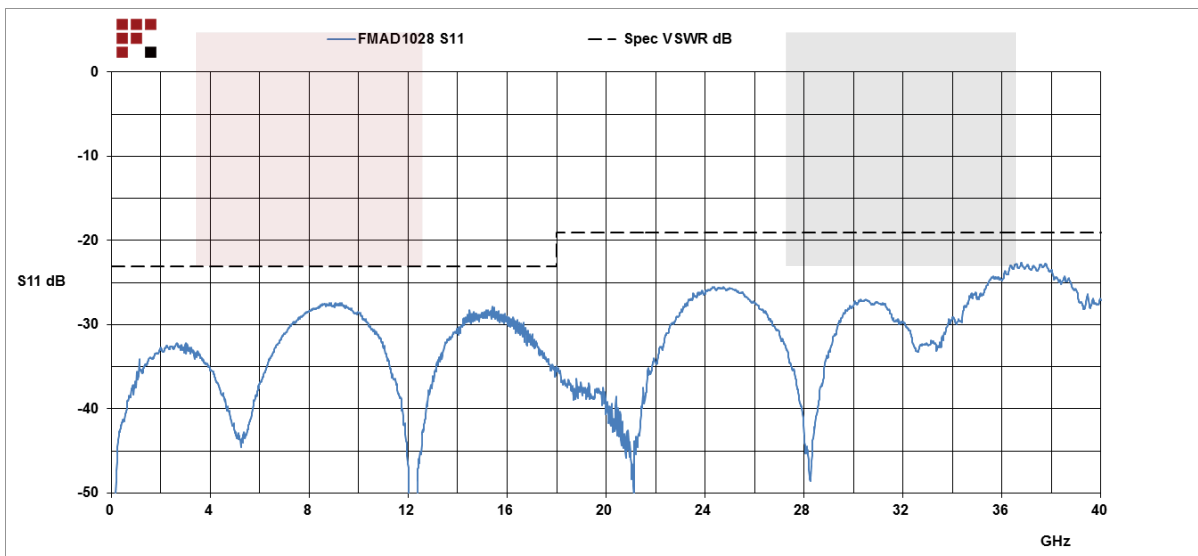
MIL-STD 202, Method 101, Condition B, 5% salt solution

**Compliance Certifications** (see [product page](#) for current document)

**Plotted and Other Data**

Notes:

**Typical Performance Data**



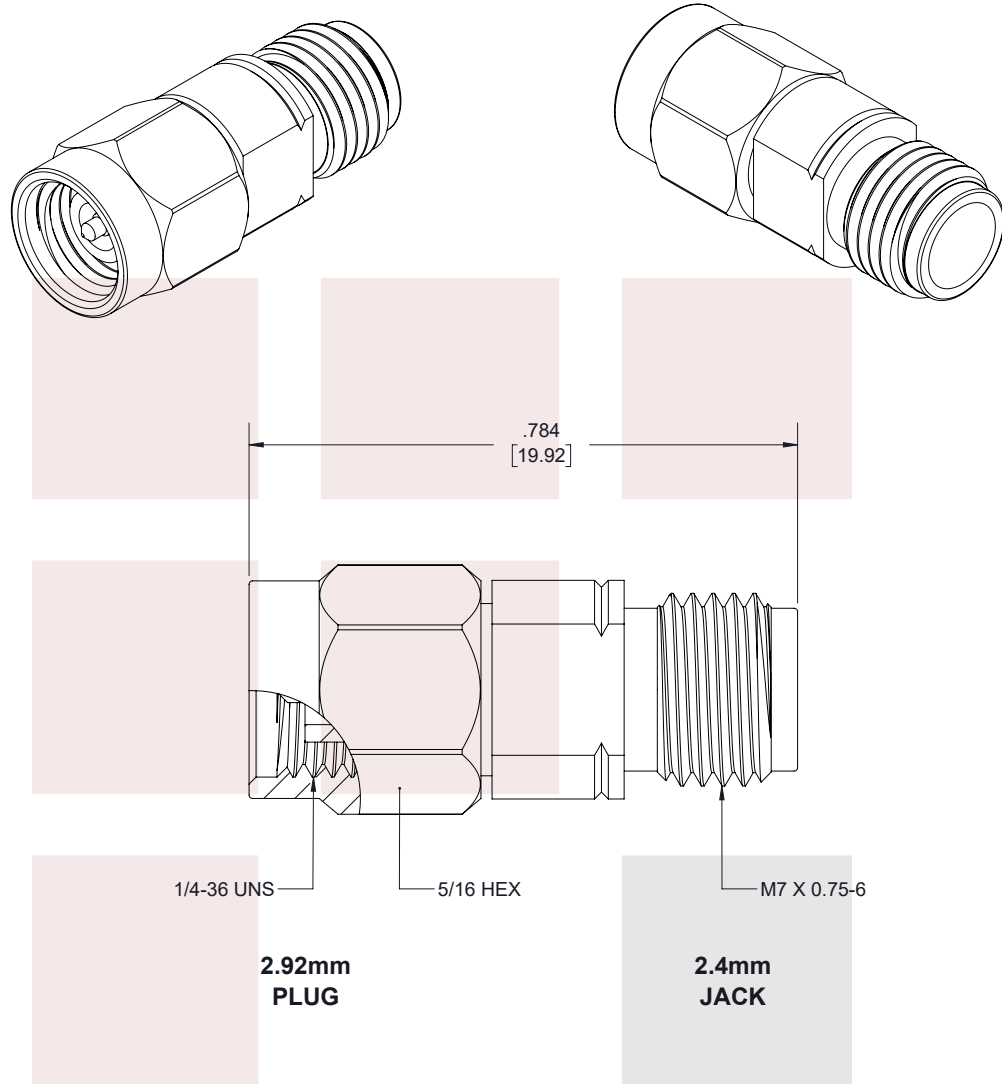
2.92mm Male (Plug) to 2.4mm Female (Jack) Adapter, Passivated Stainless Steel Body, High Temp, 1.25 VSWR from Fairview Microwave is in-stock and available to ship same-day. All of our RF/microwave products are available off-the-shelf from our ISO 9001:2008 certified facilities in Lewisville, Texas. Fairview Microwave is RF on-demand.

For additional information on this product, please click the following link: [2.92mm Male \(Plug\) to 2.4mm Female \(Jack\) Adapter, Passivated Stainless Steel Body, High Temp, 1.25 VSWR FMAD1028](#)

URL: <https://www.fairviewmicrowave.com/2.92mm-male-2.4mm-female-adapter-fmad1028-p.aspx>


The information contained in this document is accurate to the best of our knowledge and representative of the part described herein. It may be necessary to make modifications to the part and/or the documentation of the part, in order to implement improvements. Fairview Microwave reserves the right to make such changes as required. Unless otherwise stated, all specifications are nominal. Fairview Microwave does not make any representation or warranty regarding the suitability of the part described herein for any particular purpose, and Fairview Microwave does not assume any liability arising out of the use of any part or documentation.





STANDARD TOLERANCES	
.X	±0.2
.XX	±0.01
.XXX	±0.005

\*STANDARD TOLERANCES APPLY ONLY TO DIMENSIONS IN INCHES

 <p><b>Fairview Microwave</b> RF COMPONENTS ON DEMAND. <i>Done!</i></p>	NOTES: 1. UNLESS OTHERWISE SPECIFIED ALL DIMENSIONS ARE NOMINAL. 2. ALL SPECIFICATIONS ARE SUBJECT TO CHANGE WITHOUT NOTICE AT ANY TIME. 3. DIMENSIONS ARE IN INCHES [mm].							
	DWG NO <b>FMAD1028</b>			CAGE CODE <b>3FKR5</b>				
	CAD FILE	04/10/18	SHEET	1 OF 1	SCALE	N/A	SIZE	A
TITLE 2.92mm Male (Plug) to 2.4mm Female (Jack) Adapter, Passivated Stainless Steel Body, High Temp, 1.25 VSWR								