

**BMMA Female (Jack) to SMA Female (Jack)
2 Hole Flange Mount Adapter, 0.434 inch Hole
Spacing with Passivated Stainless Steel Body**



FMAD10006

Configuration

- BMMA Female Connector 1
- SMA Female Connector 2
- 50 Ohms Impedance
- Straight Body Geometry
- 2 Hole Flange Mount Method

Features

- VSWR of 1.3:1 max up to 18 GHz
- Gold Plated Brass Contact

Applications

- Enables Between Series Connections
- Rack Mounted Equipment
- General Purpose Test

Description

BMMA female to SMA female 2 hole flange adapter part number FMAD10006 from Fairview Microwave is in-stock and ships same day. This Fairview BMMA to SMA adapter has a female to female gender configuration and is built of durable stainless steel. FMAD10006 BMMA female to SMA female adapter operates to 18 GHz. The Fairview Microwave RF adapter provides good VSWR of 1.3:1 maximum. Our RF BMMA to SMA 2 hole flange adapter allows designers to create external connections on their product enclosures, and can be used in a variety of other rack mount and panel mount applications.

RF adapters can be used to enable connections between two connector types that would otherwise not mate. Certain RF adapter configurations can also be used to protect connectors on expensive equipment where the number of connect and disconnect cycles is high. An RF, microwave, or millimeter wave adapter is connected to the equipment and the commonly changed connection is made with the adapter which can be easily replaced when it wears out after high usage; such adapters are referred to as connector savers. Fairview Microwave also offers bulkhead, panel mount, hermetically sealed, reverse polarity, and isolated ground adapter varieties to serve all of your RF, microwave and millimeter wave needs.

Electrical Specifications

Description	Minimum	Typical	Maximum	Units
Frequency Range	DC		18	GHz
Impedance		50		Ohms
VSWR			1.3:1	
Insertion Loss			0.424	dB

Mechanical Specifications

Size

- Length 0.97 in [24.51 mm]
- Width 0.30 in [7.62 mm]
- Height 0.58 in [14.73 mm]
- Weight 0.26 lbs [117.93 g]

Description	Connector 1	Connector 2
Mating Cycles, Min	500	

BMMA Female (Jack) to SMA Female (Jack)
2 Hole Flange Mount Adapter, 0.434 inch Hole
Spacing with Passivated Stainless Steel Body



FMAD10006

Material Specifications

Description	Connector 1		Connector 2	
	Material	Plating	Material	Plating
Type	BMMA Female		SMA Female	
Contact	Brass	Gold	Brass	Gold
Outer Conductor	Passivated Stainless Steel		Passivated Stainless Steel	
Body	Passivated Stainless Steel		Passivated Stainless Steel	

Environmental Specifications

Temperature

Operating Range -65 to +165 °C

Compliance Certifications (see [product page](#) for current document)

Plotted and Other Data

BMMA Female (Jack) to SMA Female (Jack) 2 Hole Flange Mount Adapter, 0.434 inch Hole Spacing with Passivated Stainless Steel Body from Fairview Microwave is in-stock and available to ship same-day. All of our RF/microwave products are available off-the-shelf from our ISO 9001:2008 certified facilities in Lewisville, Texas. Fairview Microwave is RF on-demand.

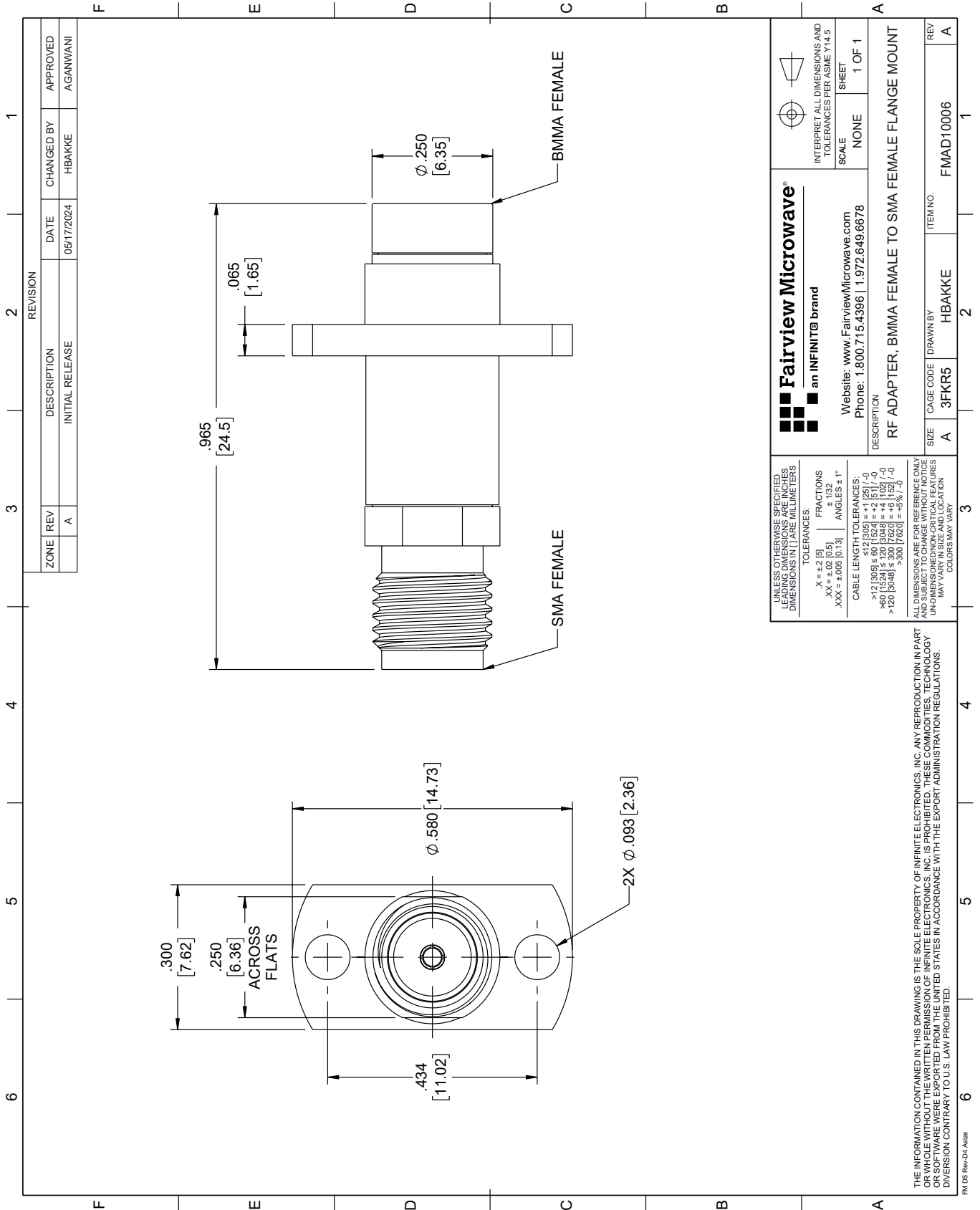
For additional information on this product, please click the following link: [BMMA Female \(Jack\) to SMA Female \(Jack\) 2 Hole Flange Mount Adapter, 0.434 inch Hole Spacing with Passivated Stainless Steel Body FMAD10006](#)

URL: <https://www.fairviewmicrowave.com/bmma-female-to-sma-female-adapter-with-passivated-stainless-steel-body-fmad10006-p.aspx>

The information contained within this document is accurate to the best of our knowledge and representative of the part described herein. It may be necessary to make modifications to the part and/or the documentation of the part in order to implement improvements. Fairview Microwave reserves the right to make such changes as required. Unless otherwise stated, all specifications are nominal. Fairview Microwave does not make any representation or warranty regarding the suitability of the part described herein for any particular purpose, and Fairview Microwave does not assume liability arising out of the use of any part or document.

FMAD10006 CAD Drawing

BMMA Female (Jack) to SMA Female (Jack) 2 Hole Flange Mount Adapter, 0.434 inch Hole Spacing with Passivated Stainless Steel Body



REVISION		DATE	CHANGED BY	APPROVED	
ZONE	REV	DESCRIPTION	DATE	CHANGED BY	APPROVED
	A	INITIAL RELEASE	05/17/2024	HBAKKE	AGANWANI

Fairview Microwave®
an INFINIT® brand

Website: www.FairviewMicrowave.com
Phone: 1.800.715.4396 | 1.972.649.6678

UNLESS OTHERWISE SPECIFIED, LEADING DIMENSIONS ARE IN INCHES. DIMENSIONS IN [] ARE MILLIMETERS.

TOLERANCES:
 .X = ±.2 [5] FRACTIONS ± 1/32
 .XX = ±.02 [0.5] ANGLES ± 1°
 .XXX = ±.005 [0.13]

CABLE LENGTH TOLERANCES:
 <12 [305] ≤ 60 [1524] = ±.1 [25] / -0
 >60 [1524] ≤ 120 [3048] = ±.4 [102] / -0
 >120 [3048] ≤ 300 [7620] = ±.8 [20] / -0

ALL DIMENSIONS ARE FOR REFERENCE ONLY. UNDIMENSIONED/NON-CRITICAL FEATURES MAY VARY IN SIZE AND LOCATION. COLORS MAY VARY.

INTERPRET ALL DIMENSIONS AND TOLERANCES PER ASME Y14.5

SCALE: NONE
SHEET: 1 OF 1

DESCRIPTION: RF ADAPTER, BMMA FEMALE TO SMA FEMALE FLANGE MOUNT

SIZE	CAGE CODE	DRAWN BY	ITEM NO.	REV
A	3FKR5	HBAKKE	FMAD10006	A

THE INFORMATION CONTAINED IN THIS DRAWING IS THE SOLE PROPERTY OF INFINITE ELECTRONICS, INC. ANY REPRODUCTION IN PART OR WHOLE WITHOUT THE WRITTEN PERMISSION OF INFINITE ELECTRONICS, INC. IS PROHIBITED. THESE COMMODITIES, TECHNOLOGY OR SOFTWARE WERE EXPORTED FROM THE UNITED STATES IN ACCORDANCE WITH THE EXPORT ADMINISTRATION REGULATIONS. DIVISION CONTRARY TO U.S. LAW PROHIBITED.

FM DS Rev-D4 Adzlx