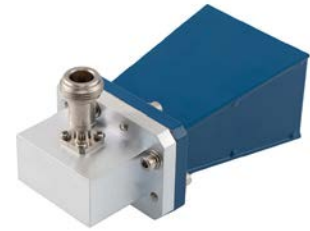


WR-137 Standard Gain Horn Antenna Operating From 5.85 GHz to 8.2 GHz, 10 dBi Nominal Gain, Type N Female Input Connector, ProLine

The Fairview Microwave FM9859B/NF-10 Proline series standard gain horn antenna (also known as waveguide horn) is part of our huge selection of waveguide antennas. This Fairview Microwave standard gain horn antenna is manufactured with a WR-137 input and a Type N waveguide to coaxial transition adapter. Our standard gain horn antenna, WR-137, has a 10 dBi nominal gain. This WR-137 standard gain horn from Fairview Microwave has a female Type N waveguide to coax transition adapter. The 10 dBi Fairview Microwave WR-137 horn antenna operates from 5.85 GHz to 8.2 GHz. Fairview Microwave's Type N female WR-137 standard gain horns are available in 10, 15 and 20 dBi models with pyramidal shape and rectangular input. It is part of over 40,000 RF, microwave and millimeter wave components available at Fairview Microwave. Waveguide standard gain horn antennas, such as the FM9859B/NF-10, are used in a wide variety of applications due to their high power handling capability, low loss, high directivity, and near constant electrical performance. The WR-137 FM9859B/NF-10 waveguide horn is US made and TAA compliant. Our WR-137 standard gain horn Proline antennas with Type N female interface can ship same day to anywhere in the world.



Features:

- WR-137 Rectangular Waveguide Interface
- 5.85 GHz to 8.2 GHz
- 10 dBi Nominal Gain
- Type N Female Connector

Applications:

- Antenna Measurements
- Wireless Communication
- Laboratory Use
- Microwave Radio Systems

Configuration

Design	WR-137 Standard Gain Horn
Pattern	Directional
Polarization	Linear
Coaxial Interface	N Female

Electrical Specifications

Description	Min	Typ	Max	Units
Frequency Range	5.85		8.2	GHz
Impedance		50		Ohms
Waveguide Standard Gain Horn				
Gain		10		dB
Waveguide to Coaxial Adapter				
Input VSWR			1.3:1	

Mechanical Specifications

Size	
Length	4.38 in 111.25 mm
Width/Diameter	2.02 in 51.31 mm
Height	1.48 in 37.59 mm

RF Connector

Type	N Female
------	----------

Waveguide Interface

Waveguide Size	WR-137
Flange Type	CMR-137

Fairview Microwave
301 Leora Ln., Suite 100
Lewisville, TX 75056
Tel: 1-800-715-4396 / (972) 649-6678
Fax: (972) 649-6689
www.fairviewmicrowave.com
sales@fairviewmicrowave.com

Environmental Specifications

Compliance Certifications (see [product page](#) for current document)

Plotted and Other Data

2 Dimensional OML Drawing FM9859B/NF-10
Notes:

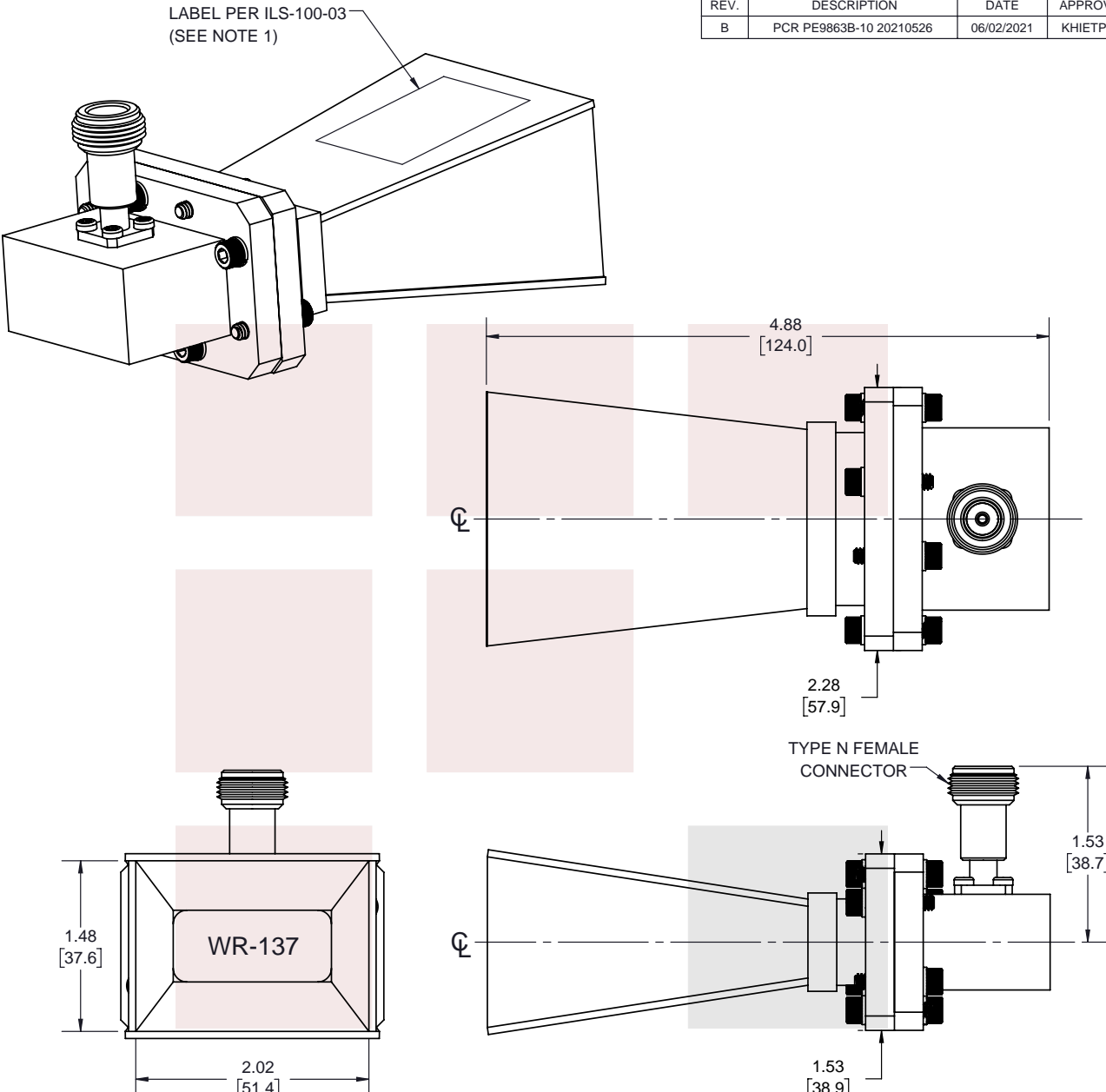
WR-137 Standard Gain Horn Antenna Operating From 5.85 GHz to 8.2 GHz, 10 dBi Nominal Gain, Type N Female Input Connector, ProLine from Fairview Microwave is in-stock and available to ship same-day. All of our RF/microwave products are available off-the-shelf from our ISO 9001:2008 certified facilities in Lewisville, Texas. Fairview Microwave is RF on-demand.

For additional information on this product, please click the following link: [WR-137 Standard Gain Horn Antenna Operating From 5.85 GHz to 8.2 GHz, 10 dBi Nominal Gain, Type N Female Input Connector, ProLine FM9859B/NF-10](#)

URL: <https://www.fairviewmicrowave.com/wr-137-waveguide-standard-gain-horn-antenna-10-db-n-fm9859b-nf-10-p.aspx>


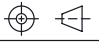
The information contained in this document is accurate to the best of our knowledge and representative of the part described herein. It may be necessary to make modifications to the part and/or the documentation of the part, in order to implement improvements. Fairview Microwave reserves the right to make such changes as required. Unless otherwise stated, all specifications are nominal. Fairview Microwave does not make any representation or warranty regarding the suitability of the part described herein for any particular purpose, and Fairview Microwave does not assume any liability arising out of the use of any part or documentation.

REVISIONS			
REV.	DESCRIPTION	DATE	APPROVED
B	PCR PE9863B-10 20210526	06/02/2021	KHIETPAS



NOTES:
 1. LABEL PER ILS-100-03 (FOR INTERNAL REFERENCE ONLY)
 LABEL LOCATION FOR REFERENCE ONLY

THESE COMMODITIES, TECHNOLOGY OR SOFTWARE WERE EXPORTED FROM THE UNITED STATES IN ACCORDANCE WITH THE EXPORT ADMINISTRATION REGULATIONS. DIVERSION CONTRARY TO U.S. LAW PROHIBITED.

 Fairview Microwave an INFINIT® brand		UNLESS OTHERWISE SPECIFIED LEADING DIMENSIONS ARE INCHES DIMENSIONS IN [] ARE MILLIMETERS	THIRD-ANGLE PROJECTION 
TITLE WR-137 Standard Gain Horn Antenna Operating From 5.85 GHz to 8.2 GHz, 10 dBi Nominal Gain, Type N Female Input Connector, ProLine		TOLERANCES:	CABLE LENGTH (L) TOLERANCES:
		.X = ±.2 [5.08] FRACTIONS ± 1/32 .XX = ±.02 [.51] ANGLES ± 1° .XXX = ±.005 [.13]	L ≤ 12 [305] = +1 [25] / -0 12 [305] < L ≤ 60 [1524] = +2 [51] / -0 60 [1524] < L ≤ 120 [3048] = +4 [102] / -0 120 [3048] < L ≤ 300 [7620] = +6 [152] / -0 300 [7620] < L = +5%L / -0
		ALL DIMENSIONS SHOWN ARE FOR REFERENCE ONLY.	
SIZE A	CAGE CODE 3FKR5	DRAWN BY BPUCHASKI	ITEM NO. FM9859B/NF-10 REV B

T-Rev.D