

**4950 MHz to 7125 MHz, 2-foot deep dish Parabolic Antenna, 2x2 MIMO, 30 dBi, RPSMA**
**Description**

Fairview Microwave's FM51PD1009 is a MIMO vertical/horizontal polarized antenna that ships same day from our ISO 9001:2015 certified facility. This 2-port parabolic antenna has an 2-port SMA connector. The FM51PD1009 is a single-band antenna operating from 4950 to 7125 MHz with 30 dBi gain.

Fairview Microwave's MIMO parabolic antenna with a 4950 to 7125 MHz frequency range has a maximum input VSWR of 2.5:1.

The FM51PD1009 antenna has a white radome made of aluminum, an overall length of 23.6 in, width of 23.6 in, and weighs 22 lbs. Use our on-line ordering system to purchase your FM51PD1009 MIMO parabolic antenna 24 hours a day with same-day shipping and no MOQs (minimum order quantities).

**Configuration**

Design	Parabolic
Gain	29 dBi
Polarization	H/V or 45 Deg. Slant
Connector Type	SMA Reverse Polarity
Interface 2	SMA Reverse Polarity
Number of Ports	2
Lightning Protection	DC Grounded

**Electrical Specifications**

Description	Min	Typ	Max	Units
Frequency Range	4,950		7,125	MHz
Impedance		50		Ohms
Isolation		30		dB
Front to Back Ratio		35		dB
Horizontal (Azimuth) Beam Width		5		Degrees
Vertical (Elevation) Beam Width		5		Degrees
Input Power			50	Watts

**Specifications by Frequency**

Description	Band 1	Band 2	Band 3	Band 4	Band 5	Units
Range	4.95-5.1	5.1-5.9	5.9-7.125			GHz
Gain	29	30	31			dBi
VSWR	2.5:1	2:1	2:1			

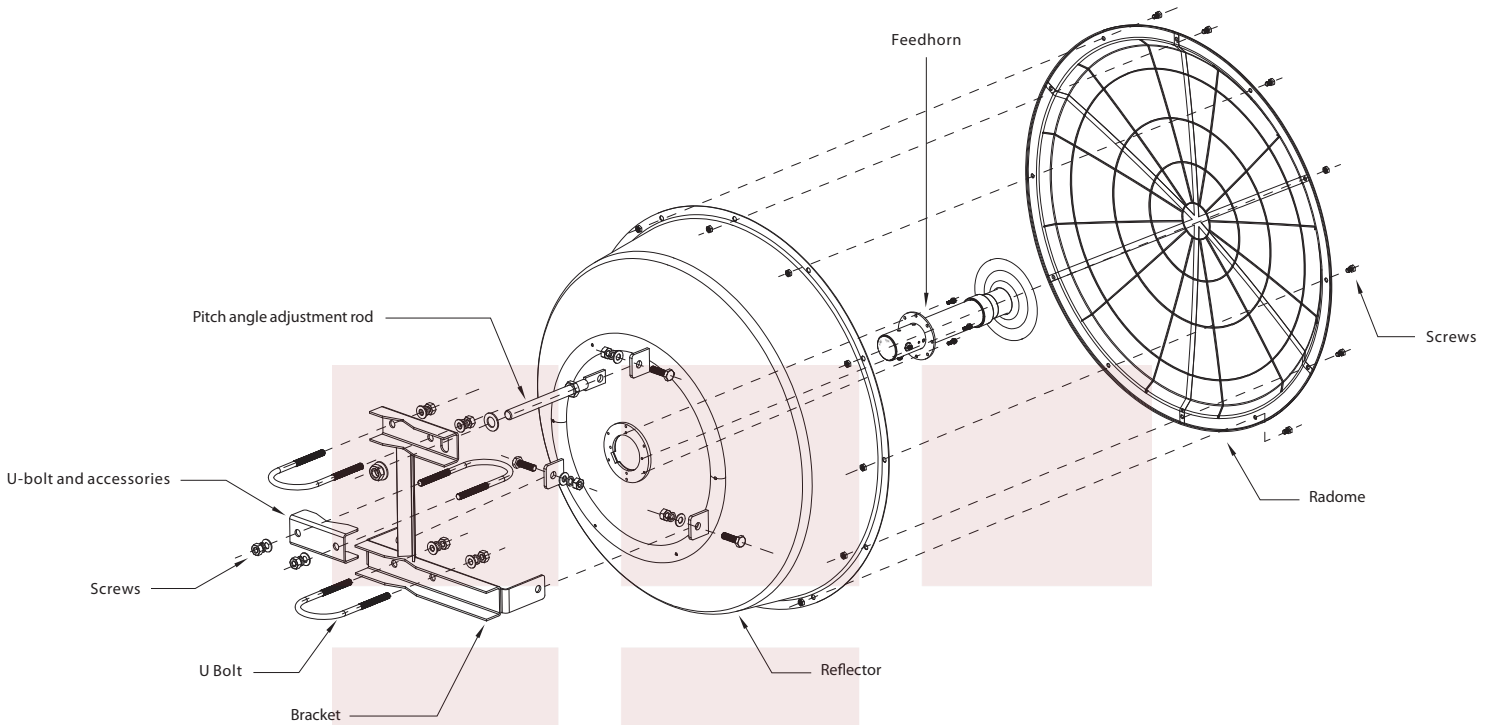

**Features:**

- 2-Foot deep dish parabolic antenna
- 4950 to 7125 MHz, 30 dBi
- VSWR < 2.5:1
- All aluminum dish
- Dual slant (V/H or ±45°)
- 50 W max input power per port
- 2 x RPSMA female connectors
- DC ground

**Applications:**

- Long distance backhaul
- Point to point data links (PtP)
- Point to multi-point data links (PtMP)
- Wi-Fi 5, Wi-Fi 6, Wi-Fi 6E and Wi-Fi 7
- Unlicensed 5GHz and 6GHz bands
- 5G bands - n46, n47, n96, n102, n104
- 2x2 MIMO capability
- High speed internet access

Fairview Microwave  
 301 Leora Ln., Suite 100  
 Lewisville, TX 75056  
 Tel: 1-800-715-4396 / (972) 649-6678  
 Fax: (972) 649-6689  
[www.fairviewmicrowave.com](http://www.fairviewmicrowave.com)  
[sales@fairviewmicrowave.com](mailto:sales@fairviewmicrowave.com)



**Mechanical Specifications**

Radome Material

Aluminum

**Size**

Length

33 in [838.2 mm]

Width

29 in [736.6 mm]

Height

14 in [355.6 mm]

Mounting Mast Diameter

1.1811 to 3.14961 in [30.00 to 80.00 mm]

Weight

22 lbs [9.98 kg]

**Environmental Specifications**

**Temperature**

Operating Range

-40 to +70 deg C

**Compliance Certifications** (see [product page](#) for current document)

**Plotted and Other Data**

Notes:

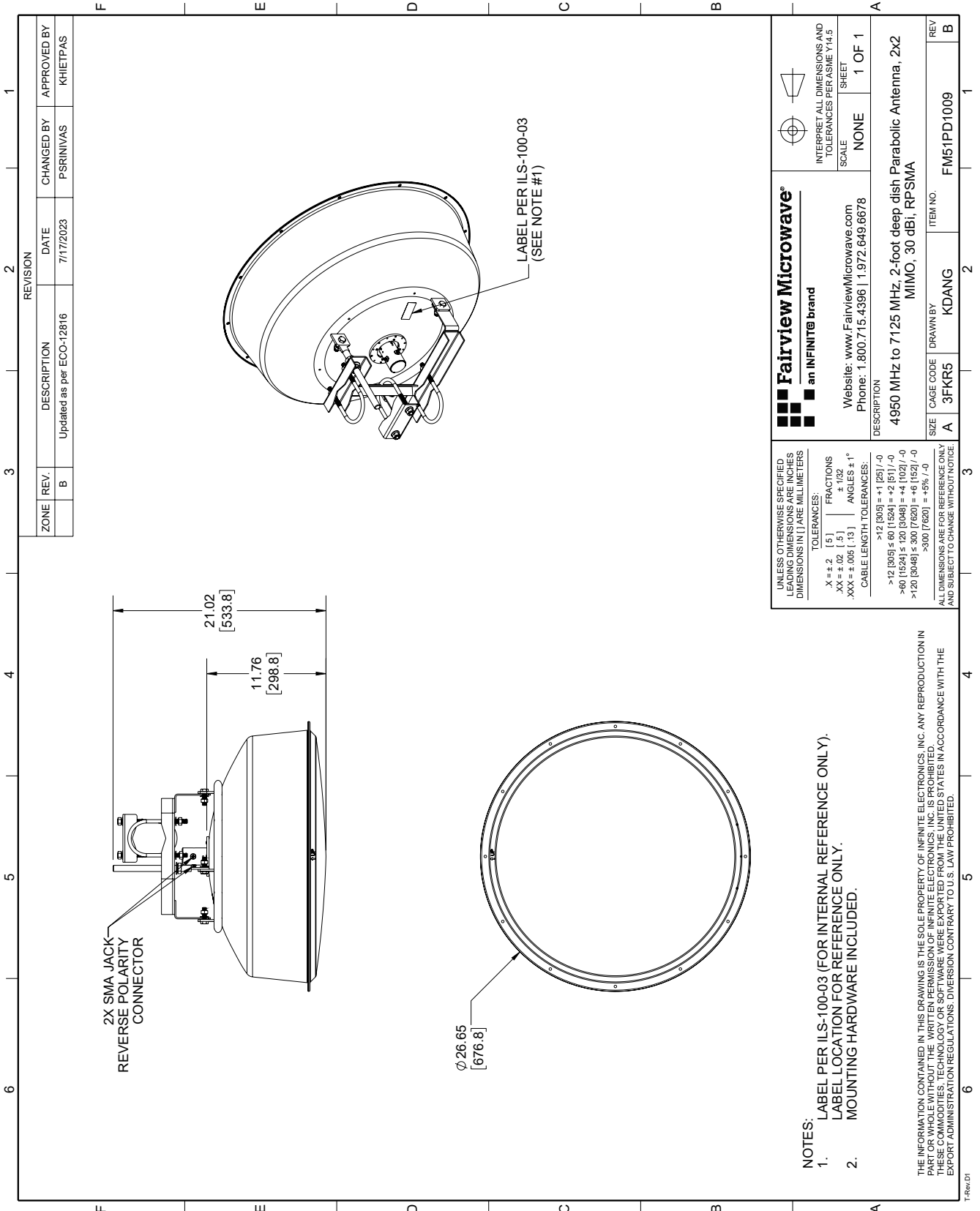
4950 MHz to 7125 MHz, 2-foot deep dish Parabolic Antenna, 2x2 MIMO, 30 dBi, RPSMA from Fairview Microwave is in-stock and available to ship same-day. All of our RF/microwave products are available off-the-shelf from our ISO 9001:2008 certified facilities in Lewisville, Texas. Fairview Microwave is RF on-demand.

For additional information on this product, please click the following link: [4950 MHz to 7125 MHz, 2-foot deep dish Parabolic Antenna, 2x2 MIMO, 30 dBi, RPSMA FM51PD1009](#)

URL: <https://www.fairviewmicrowave.com/parabolic-antenna-4950-7125-mhz-sma-connector-fm51pd1009-p.aspx>

The information contained in this document is accurate to the best of our knowledge and representative of the part described herein. It may be necessary to make modifications to the part and/or the documentation of the part, in order to implement improvements. Fairview Microwave reserves the right to make such changes as required. Unless otherwise stated, all specifications are nominal. Fairview Microwave does not make any representation or warranty regarding the suitability of the part described herein for any particular purpose, and Fairview Microwave does not assume any liability arising out of the use of any part or documentation.





REVISION		DATE	CHANGED BY	APPROVED BY
ZONE	REV.	DESCRIPTION	DATE	APPROVED BY
	B	Updated as per ECO-12816	7/17/2023	KHIETPAS

**Fairview Microwave<sup>®</sup>**  
an INFINIT<sup>®</sup> brand

Website: [www.FairviewMicrowave.com](http://www.FairviewMicrowave.com)  
Phone: 1.800.715.4396 | 1.972.649.6678

INTERPRET ALL DIMENSIONS AND TOLERANCES PER ASME Y14.5  
SCALE NONE  
SHEET 1 OF 1

UNLESS OTHERWISE SPECIFIED, ALL DIMENSIONS ARE IN INCHES. DIMENSIONS IN PARENTHESES ARE IN MILLIMETERS.

TOLERANCES:  
 .X ± .2 [ .5 ] FRACTIONS  
 .XX ± .02 [ .5 ] ANGLES ± 1°  
 .XXX ± .005 [ .13 ]

CABLE LENGTH TOLERANCES:  
 >12 [305] = ±1 [25] / -0  
 >12 [305] ≤ 60 [1524] = +2 [51] / -0  
 >60 [1524] ≤ 120 [3048] = +4 [102] / -0  
 >120 [3048] ≤ 300 [7620] = +6 [152] / -0  
 >300 [7620] = +5% / -0

DESCRIPTION  
4950 MHz to 7125 MHz, 2-foot deep dish Parabolic Antenna, 2x2 MIMO, 30 dBi, RPSMA

SIZE A CAGE CODE 3FKR5 DRAWN BY KDANG ITEM NO. FM51PD1009 REV B

NOTES:  
 1. LABEL PER ILS-100-03 (FOR INTERNAL REFERENCE ONLY). LABEL LOCATION FOR REFERENCE ONLY.  
 2. MOUNTING HARDWARE INCLUDED.

THE INFORMATION CONTAINED IN THIS DRAWING IS THE SOLE PROPERTY OF INFINITE ELECTRONICS, INC. ANY REPRODUCTION IN WHOLE OR IN PART WITHOUT THE WRITTEN PERMISSION OF INFINITE ELECTRONICS, INC. IS STRICTLY PROHIBITED. THESE DIMENSIONS AND TOLERANCES SPECIFICATIONS ARE SUBJECT TO CHANGE WITHOUT NOTICE. INTELLECTUAL PROPERTY RIGHTS RESERVED. EXPORT ADMINISTRATION REGULATIONS CONTRARY TO U.S. LAW PROHIBITED.