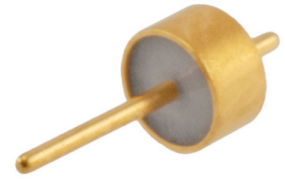


Launch Pin & Dielectric for 0.38mm (.015inch) Field Replaceable Connector



FM1017-7

Applications

- General Purpose Test
- Rack and Panel Mount Applications
- Used in Field Replaceable Connectors
- Allows for Replacement of Damaged Connectors

Description

Fairview Microwave's FM1017-7 Launch pin & dielectric for 0.23mm (.009inch) field replaceable connector is part of our complete line of Connector Launch Accessories available for same-day shipping. This range of accessories includes Glass bead Transitions, Launch Pin & Dielectric Transitions and Pin/Tab Transitions to Microstrip and Stripline Circuits in conjunction with our line of field replaceable flange connectors. These accessories are designed to be compatible with our line of Field Replaceable Connectors to ensure optimal electrical performance for PCB test applications. They are available in commonly used pin diameters of .009", .012", .015", .018", .020" and .036" and in a variety of lengths and sizes depending on the application.

Our FM1017-7 Launch pin & dielectric for 0.23mm (.009inch) field replaceable connector datasheet specifications are shown below in this PDF. Fairview Microwave's broad catalog of RF, microwave and millimeter wave connectors allows designers to configure and customize their signal connections however they like. Whether the need is to provide an I/O for a board design, or simply create a custom cable assembly configuration, Fairview Microwave has the right connector for the job. Fairview Microwave can also expertly build your custom cable assemblies for you and ship same day.

Mechanical Specifications

Dimensions

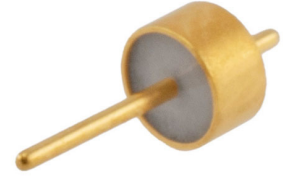
Pin Length	0 in [0 mm]
Pin Diameter	0 in [0 mm]
Tab Diameter	0 in [0 mm]
Dielectric Length	0.18 in [4.57 mm]
Dielectric Diameter	0.109 in [2.77 mm]
Dielectric Material	Kovar
Conn End Pin Length	0.018 in [0.46 mm]
Weight	8 lbs [3.63 kg]

Compliance Certifications (see [product page](#) for current document)

Plotted and Other Data

Notes:

Launch Pin & Dielectric for 0.38mm (.015inch) Field Replaceable Connector



FM1017-7

Launch Pin & Dielectric for 0.38mm (.015inch) Field Replaceable Connector from Fairview Microwave is in-stock and available to ship same-day. All of our RF/microwave products are available off-the-shelf from our ISO 9001:2008 certified facilities in Lewisville, Texas. Fairview Microwave is RF on-demand.

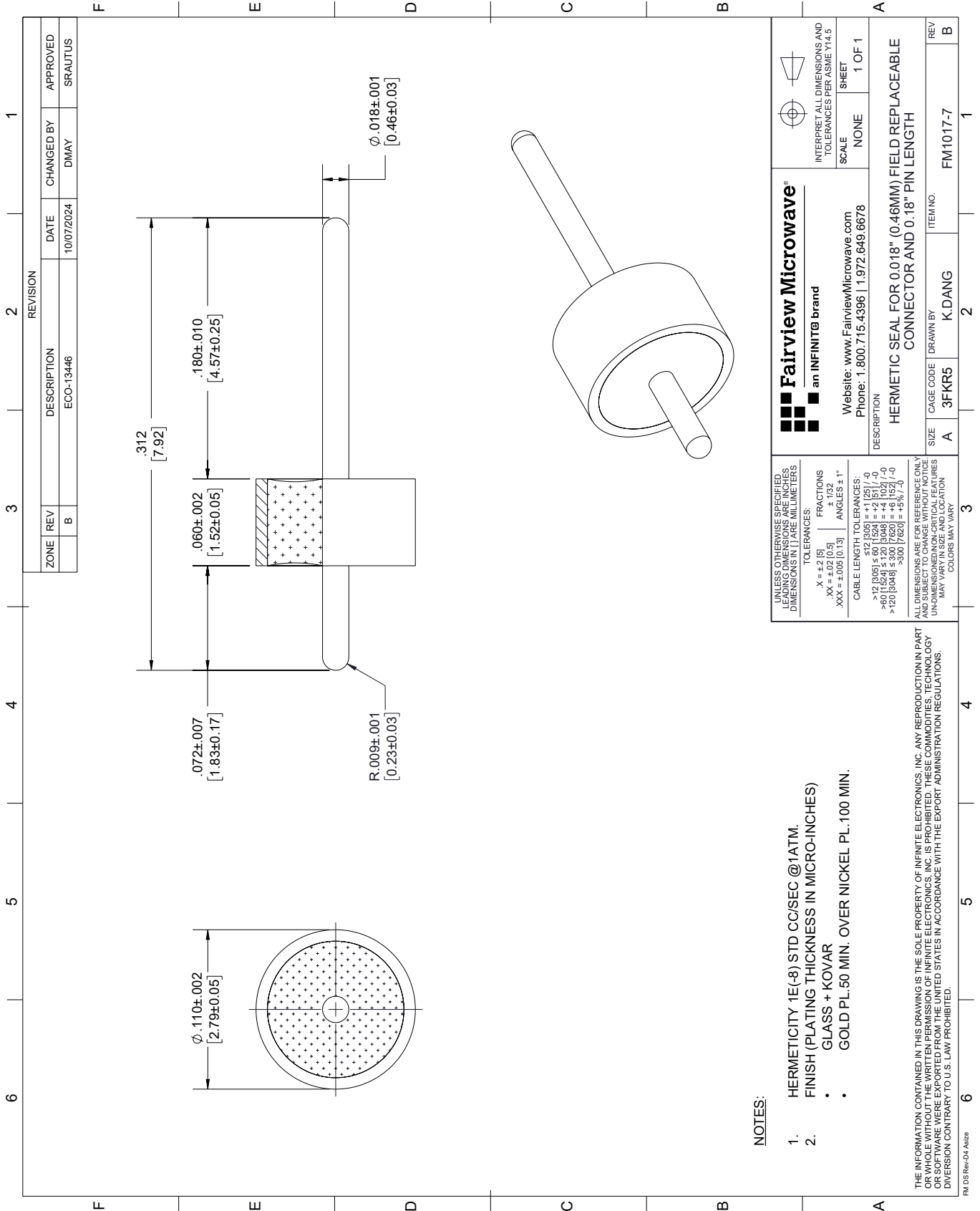
For additional information on this product, please click the following link: [Launch Pin & Dielectric for 0.38mm \(.015inch\) Field Replaceable Connector FM1017-7](#)

URL: <https://www.fairviewmicrowave.com/hermetic-seal-solder-contact-0.018-pin-diameter-0.109-body-0.18-pin-fm1017-7-p.aspx>

The information contained within this document is accurate to the best of our knowledge and representative of the part described herein. It may be necessary to make modifications to the part and/or the documentation of the part in order to implement improvements. Fairview Microwave reserves the right to make such changes as required. Unless otherwise stated, all specifications are nominal. Fairview Microwave does not make any representation or warranty regarding the suitability of the part described herein for any particular purpose, and Fairview Microwave does not assume liability arising out of the use of any part or document.

FM1017-7 CAD Drawing

Launch Pin & Dielectric for 0.38mm (.015inch) Field Replaceable Connector



ZONE		REV	DESCRIPTION	DATE	CHANGED BY	APPROVED
B			ECO-13446	10/07/2024	DMAY	SRAUTUS

 Fairview Microwave [®] an INFINIT [®] brand Website: www.FairviewMicrowave.com Phone: 1.800.715.4396 1.972.649.6678		INTERPRET ALL DIMENSIONS AND TOLERANCES PER ASME Y14.5 SCALE: NONE SHEET: 1 OF 1
DESCRIPTION: HERMETIC SEAL FOR 0.018" (0.46MM) FIELD REPLACEABLE CONNECTOR AND 0.18" PIN LENGTH		REV: B
SIZE: A	CAGE CODE: 3FKR5	ITEM NO.: FM1017-7
DRAWN BY: K.DANG		

NOTES:

- HERMETICITY 1E(-8) STD CC/SEC @1ATM.
- FINISH (PLATING THICKNESS IN MICRO-INCHES)
 • GLASS + KOVAR
 • GOLD PL. 50 MIN. OVER NICKEL PL. 100 MIN.

UNLESS OTHERWISE SPECIFIED, ALL DIMENSIONS SPECIFIED ARE IN INCHES UNLESS OTHERWISE SPECIFIED. DIMENSIONS IN [] ARE IN MILLIMETERS.

TOLERANCES:
 X = ±.2 [5] FRACTIONS ±.132
 .XX = ±.02 [0.5] ±.102
 .XXX = ±.005 [0.13] ANGLES ± 1°

CABLE LENGTH TOLERANCES:
 < 12 [305] ± .60 [15.24] = ±.2 [5] / -0
 > 12 [305] ± .60 [15.24] = ±.2 [5] / -0
 > 60 [1524] ± 1.20 [30.48] = ±.4 [10.2] / -0
 > 120 [3048] ± 3.00 [76.20] = ±.6 [15.2] / -0
 > 300 [7620] ± 9.00 [228.60] = ±.9 [22.8] / -0

ALL DIMENSIONS ARE FOR REFERENCE ONLY. ALL DIMENSIONS SHALL BE TO THE CENTERLINE UNLESS OTHERWISE SPECIFIED. DIMENSIONS MAY VARY IN SIZE AND LOCATION. COLORS MAY VARY.

THE INFORMATION CONTAINED IN THIS DRAWING IS THE SOLE PROPERTY OF INFINITE ELECTRONICS, INC. ANY REPRODUCTION IN PART OR WHOLE WITHOUT THE WRITTEN PERMISSION OF INFINITE ELECTRONICS, INC. IS PROHIBITED. THESE COMMODITIES, TECHNOLOGY OR SOFTWARE WERE EXPORTED FROM THE UNITED STATES IN ACCORDANCE WITH THE EXPORT ADMINISTRATION REGULATIONS. DIVERSION CONTRARY TO U.S. LAW PROHIBITED.

PM DS Rev-D4 A42e