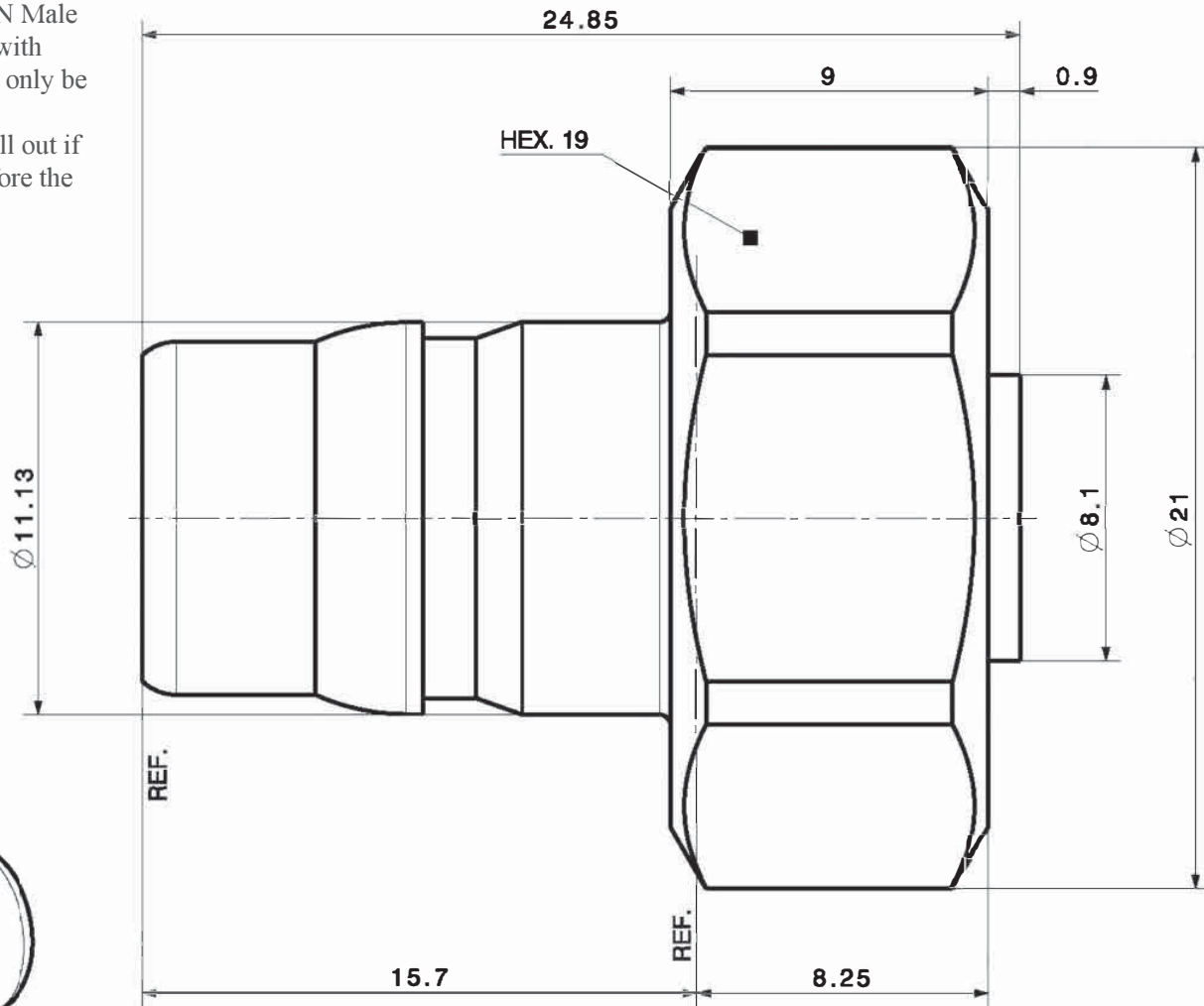
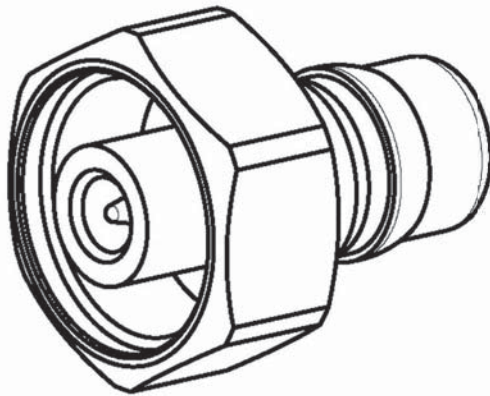


Diese Zeichnung ist unser geistiges Eigentum und darf ohne unsere Einwilligung weder kopiert, vervielfältigt noch Dritten oder Konkurrenzfirmen zugänglich gemacht werden. (Art. 12 B.G.)
 This drawing is copyright. Information contained thereon is supplied in confidence and must not be used for any other purpose than which it was supplied, or be reproduced without written permission of the owners.

The 33N — QN — U50 — 1 — 133NE, N Male to QN Female Adapter uses a center pin with dielectric that must be pushed in and will only be kept in place by connecting the "N" type connector first. Otherwise, the pin will fall out if you connect the "QN" connector side before the "N" connector side of this adapter.



type / Typ: 33_N-QN-U50-1

Ⓜ dimensions in millimeter [mm]

part no. / Teile Nr.: PRO-00013949 B sheet/Blatt XX / XX

description / Beschreibung

drawing-no. / Zeichnungsnr. Release

Adaptor

DOU-00013949

B

H HUBER+SUHNER

alternative ID: 4.13.34670