

SPECIFICATIONS

ELECTRICAL

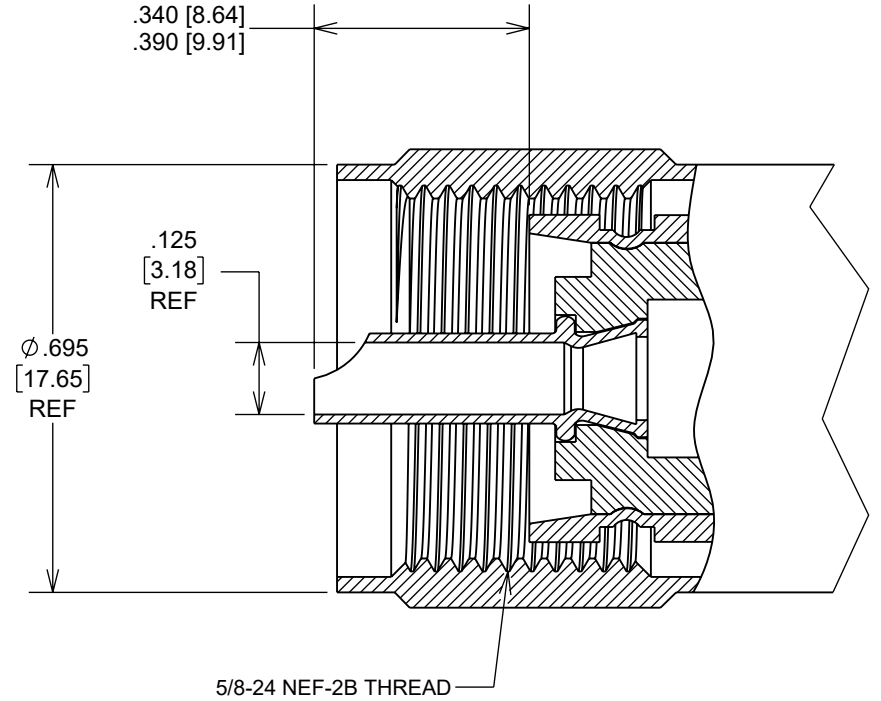
- Frequency Range: DC - 300 MHz (DC - 1 GHz on Extended Range Designs)
- Impedance: Non-Constant
- Voltage Rating: 500 Volts RMS Max Continuous
- Insulation Resistance: 5000 Megohms Min
- Dielectric Withstanding Voltage: 1500 VRMS Max
- Power Handling: 500 W @ 100 MHz @ 25°C
- Operating Temperature: -40°C to +85°C

MECHANICAL

- Mating Cycles: 500 Min
- Coupling Mechanism: Screw-on Coupling
- Interface Specification: Hand Tighten

ENVIRONMENTAL

- Temperature Range
 - Mica-Filled Phenolic Insulators : -55°C to +149°C
 - PTFE Insulators : -65°C to +165°C
 - Rexolite and Polystyrene Insulators : -55°C to +85°C



FAIRVIEW MICROWAVE INC.

WWW.FAIRVIEWMICROWAVE.COM

TITLE

UHF MALE

SIZE	CAGE CODE	DWG NO	REV
A	3FKR5	UHF MALE CONNECTOR	A
SCALE		SHEET	

ALL DIMENSIONS IN inches(mm) Typical