

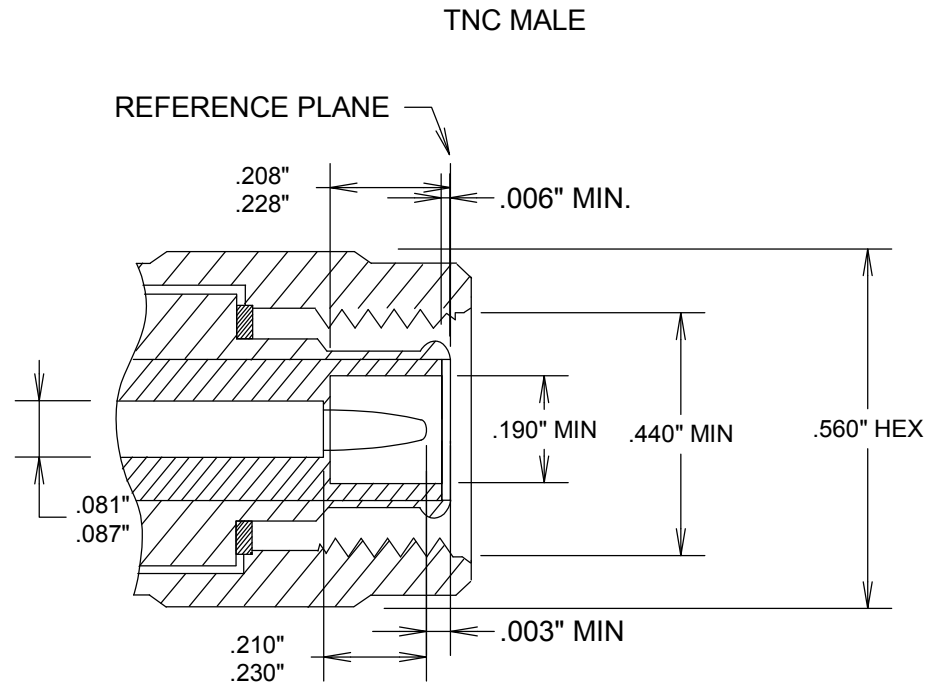
# SPECIFICATIONS

## ELECTRICAL

FREQUENCY: DC-11 GHZ  
 IMPEDANCE: 50 OHMS  
 VRMS: 500 V SEA LEVEL

## MECHANICAL

MATERIALS BODY: NICKEL, SILVER, OR BRASS  
 MALE CONTACTS: BRASS  
 FEMALE CONTACTS: BeCu  
 GASKETS: SILICONE RUBBER  
 INSULATOR: TEFLON



**S. M. ELECTRONICS L.L.C**

FAIRVIEW, TX 75069 WWW.SMELECTRONICS.US

TITLE

**TNC-M**

SIZE	CAGE CODE	DWG NO	REV
<b>A</b>	<b>3FKR5</b>	<b>TNC-M CONNECTOR</b>	<b>--</b>
SCALE		SHEET	