

TNC-F REVERSE POLARITY

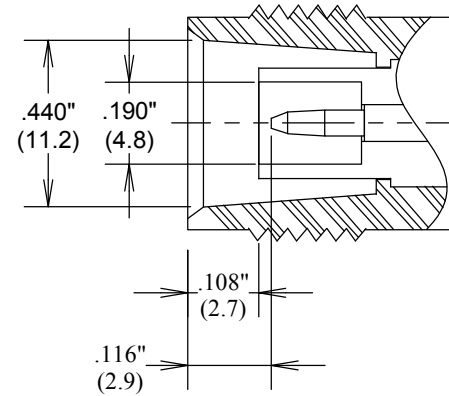
SPECIFICATIONS

ELECTRICAL

FREQUENCY: DC-11 GHZ
IMPEDANCE: 50 OHMS
VRMS: 500 V SEA LEVEL

MECHANICAL

MATERIALS BODY: NICKEL, SILVER, OR BRASS
MALE CONTACTS: BRASS
FEMALE CONTACTS: BeCu
GASKETS: SILICONE RUBBER
INSULATOR: TEFLON



FAIRVIEW MICROWAVE INC.

ALLEN, TX 75013 WWW.FAIRVIEWMICROWAVE.COM

TITLE

TNC-F REVERSE POLARITY

SIZE	CAGE CODE	DWG NO	REV
A	3FKR5	TNC-F RP	--
SCALE		SHEET	

ALL DIMENSIONS IN inches(mm) Typical