



SSMA-M

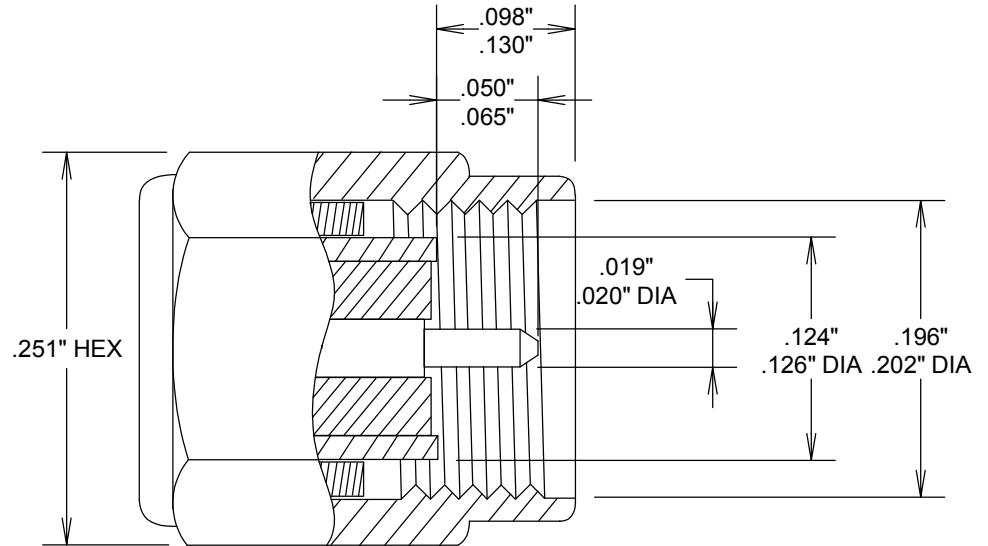
# SPECIFICATIONS

## ELECTRICAL

FREQUENCY: DC-26 GHZ  
IMPEDANCE: 50 OHMS  
VRMS: 500 VOLTS

## MECHANICAL

MATERIALS BODY: NICKEL OR S STEEL  
MALE CONTACTS: Au OR BeCu  
FEMALE CONTACTS: Au OR BeCu



**S. M. ELECTRONICS L.L.C**

FAIRVIEW, TX 75069 WWW.SMELECTRONICS.US

TITLE

**SSMA-M**

SIZE	CAGE CODE	DWG NO	REV
<b>A</b>	<b>3FKR5</b>	<b>SSMA-M CONNECTOR</b>	<b>--</b>
SCALE		SHEET	