

SPECIFICATIONS

ELECTRICAL

FREQUENCY: DC-40 GHZ
 IMPEDANCE: 50 OHMS
 VRMS: 500 VOLTS @ SEA LEVEL

MECHANICAL

MATERIALS BODY: GOLD PLATING PER MIL-G-45204
 MATERIALS CONTACTS: BeCu PER ASTM B196
 MATERIALS SHROUDS: STAINLESS STEEL
 PASSIVATED
 MATERIALS HOUSINGS AND SHROUDS: KOVAR
 GASKETS: SILICONE RUBBER
 INSULATOR: TEFLON

FORCE TO ENGAGE

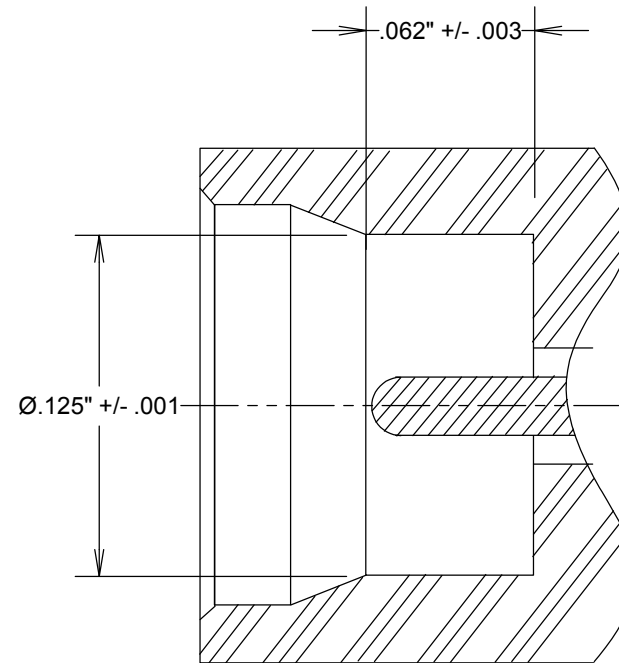
FULL DETENTE: 15 LBS
 LIMITED DETENTE: 10 LBS
 SMOOTH BORE: 2 LBS

FORCE TO DISENGAGE

FULL DETENTE: 2 LBS
 LIMITED DETENTE: 2 LBS
 SMOOTH BORE: 0.5 LBS

DURABILITY:

FULL DETENTE: 100 CYCLES
 LIMITED DETENTE: 500 CYCLES
 SMOOTH BORE: 1000 CYCLES



				FAIRVIEW MICROWAVE			
				ALLEN, TX 75013 WWW.FAIRVIEWMICROWAVE.COM			
				TITLE			
				SMP-M SMOOTH BORE			
				SIZE	CAGE CODE	DWG NO	REV
				A		3FKR5	SMP-M SB CONNECTOR
				SCALE		SHEET	