

SPECIFICATIONS

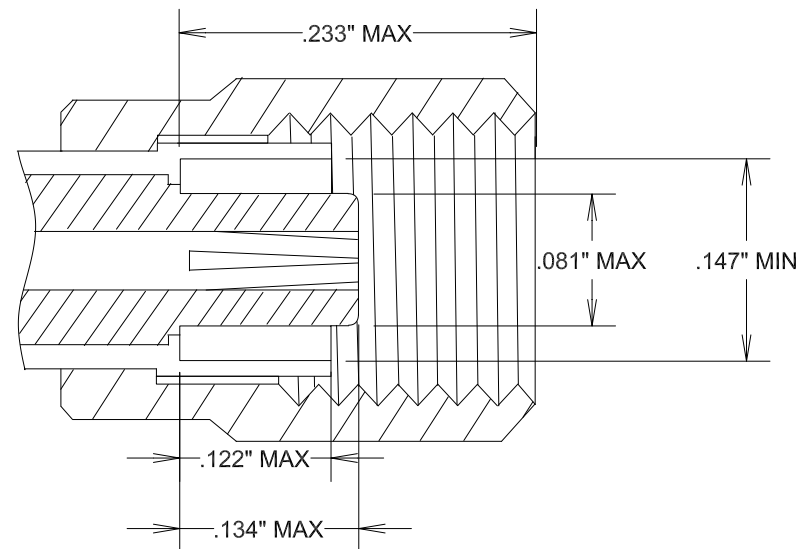
ELECTRICAL

FREQUENCY: DC-10 GHZ
 IMPEDANCE: 50 OHMS
 VRMS: 250 VOLTS(RG-178)
 335 VOLTS(RG-316)

MECHANICAL

MATERIALS BODY: NICKEL, GOLD, OR BRASS
 MALE CONTACTS: BRASS
 FEMALE CONTACTS: BeCu
 CONTACT PLATING: GOLD
 GASKETS: SILICONE RUBBER
 INSULATOR: TEFLON

SMC PLUG



				FAIRVIEW MICROWAVE INC.	
				ALLEN, TX 75013 WWW.FAIRVIEWMICROWAVE.COM	
				TITLE	
				SMC PLUG	
SIZE	CAGE CODE	DWG NO	REV		
A	3FKR5		SMC PLUG		
SCALE		SHEET			